

# Stephen

Therapy chair



SEATING

Frequent usage

Chemotherapy  
Infusions Therapy  
Day Hospital  
Blood donor  
Blood samples  
Emergency  
Dialysis  
Patient transport  
Dermatology / Cosmetics  
Multifunctional

Servo-assisted Ergonomic  
Armrests  
adjustable by the patient

**NOVELTY**

high

**COMFORT**

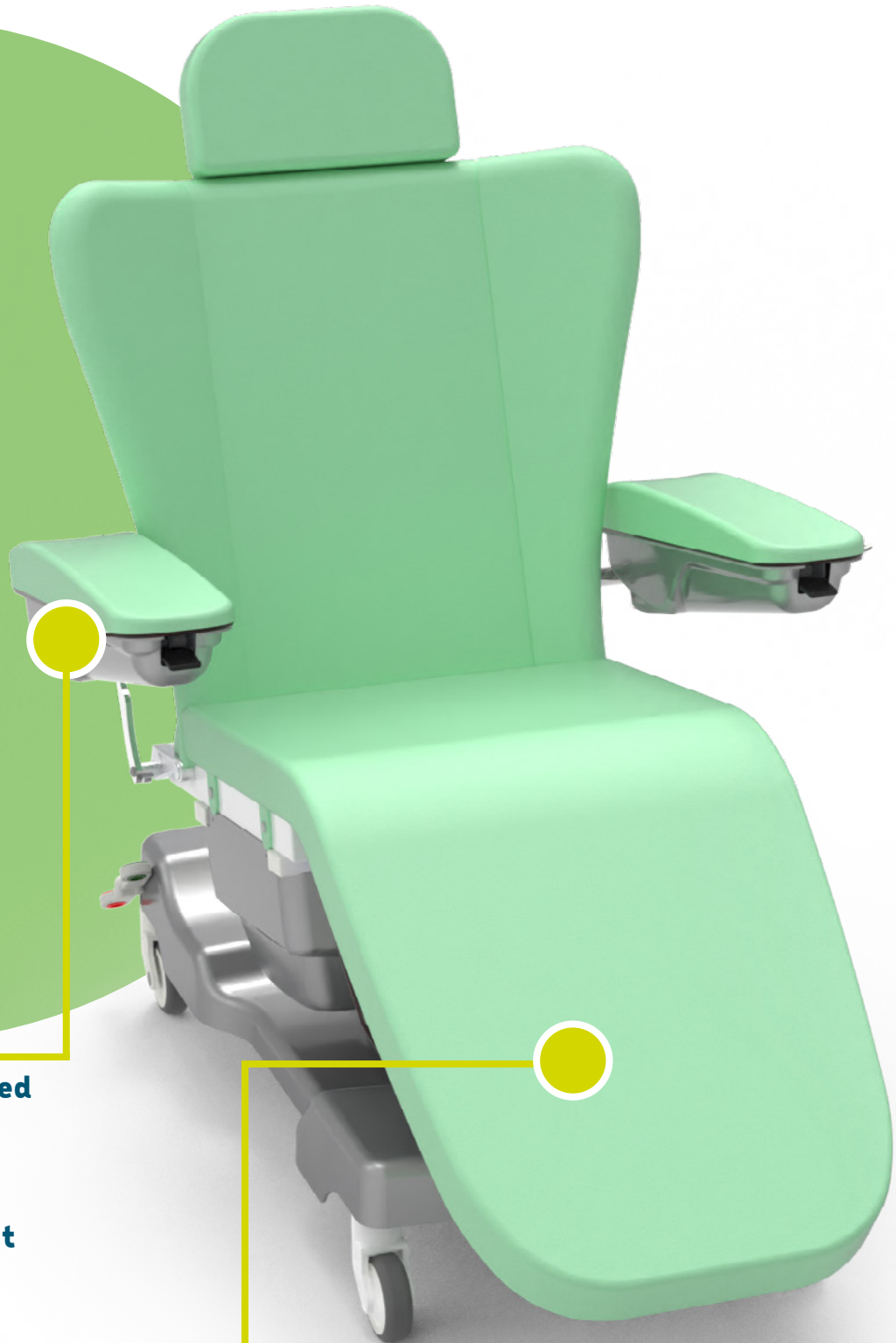
Inpatient and outpatient therapy



www.gardhenbalance.it



standard equipment



**Servo-assisted  
Ergonomic  
Armrests  
adjustable  
by the patient**

**Single cushion  
seat/legs**



**NOVELTY**

standard equipment

**Servo-assisted  
Ergonomic Armrests  
adjustable by the patient**



Tilting



Inclination



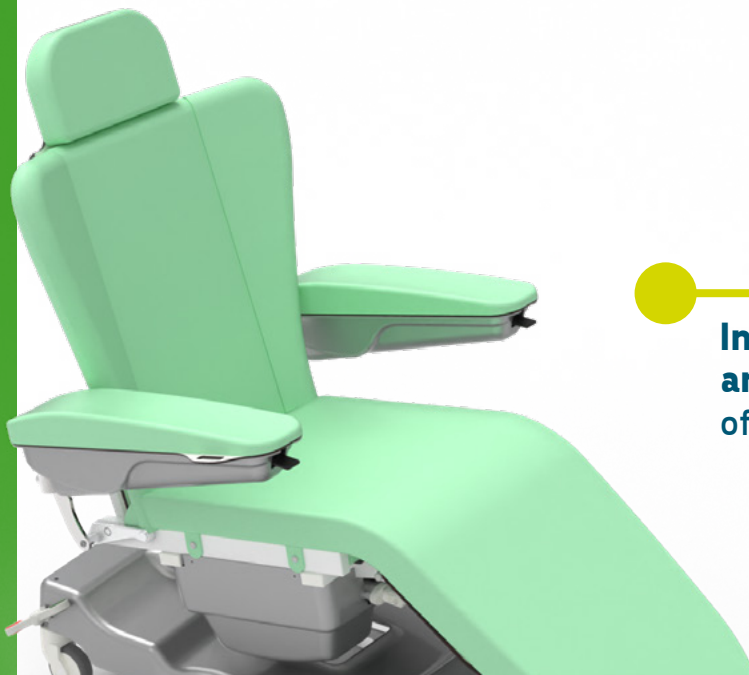
Rotation





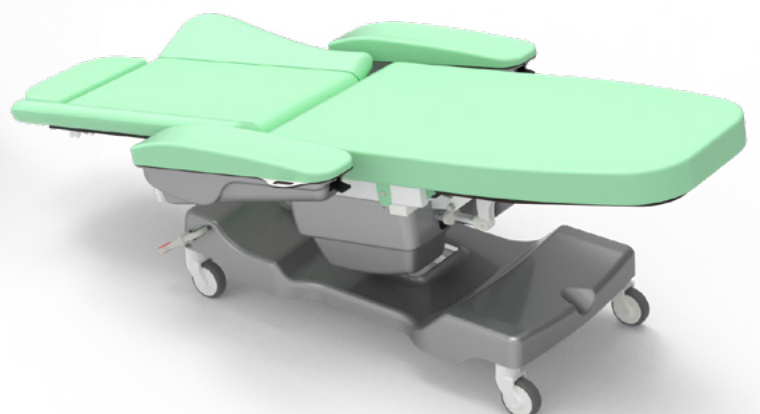
## Movements

All movements are controlled via dedicated buttons on the **push-button panel**.



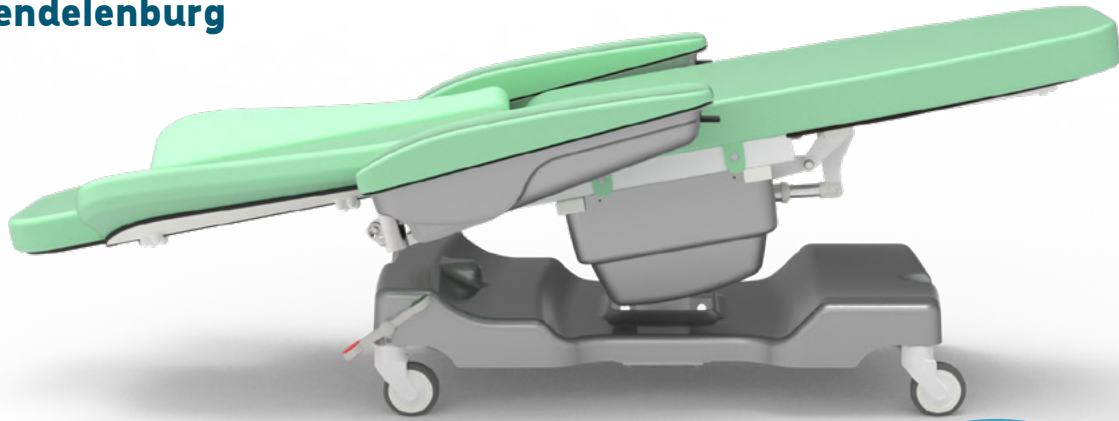
**Independent movements and/or simultaneous of the back and leg sections**

**push-button panel**

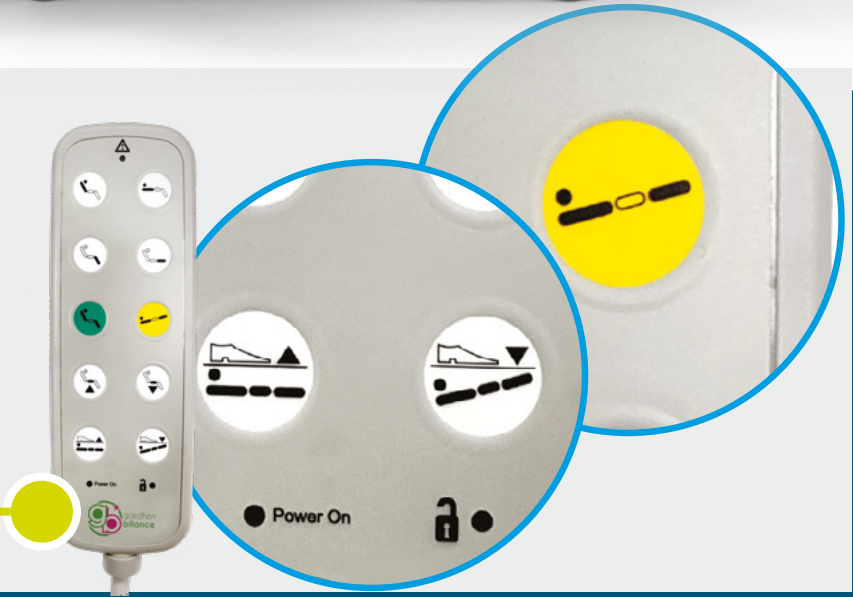




**Trendelenburg**



push-button panel



**Another example of movement:  
Recliner**





# Characteristics of the medical device

- Painted steel frame in thermosetting powder
- Lying surface divided in 4 sections (headrest, backrest, seat and leg).
- Independent movements and/or simultaneous of the back and leg sections - Equipment code AC12
- Trendelenburg position
- Headrest joint to the backrest.
- Servo-assisted Ergonomic Armrests adjustable by the patient:
  - tilting
  - rotation
  - inclination
- No. 4 wheels Ø 100 mm antistatic, sturdy, stainless and swivable.
- Simultaneous brake on rear wheels in chromed steel - Equipment code AC7P1G.
- Chair's movements are controlled by handset with a 3,5 mtl coiled cable. The handset is user friendly and has visual pictograms useful for partially sighted people. Handset is equipped by 10 buttons with 2 memories.  
For patient's safety purpose the handset is provided with an inhibition key - Equipment code AC34P. Insulation IP66.
- Bilateral handset support - Equipment code AC25P.
- ABS base cover - Equipment code AC83.
- ABS seat cover - Equipment code AC84.
- Easily removable soft foam independent cushions. Upholstery in flame retardant leatherette UNI 9175/87 e 9175FA-1/94 class IIM - Equipment code AC87/1.



### Do you want to improve the device?

Scan the QR Code to find out all the available accessories listed on our catalogue.



### Would you like to customize upholstery or frame?

Scan or click the QR code and discover how to customize the device consulting our colour chart.





## Technical sheet

GMDN Code	<b>38447</b>
UDI-DI di Base	<b>805771740POLPE</b>
ID Code	<b>GB0416.SP</b>
Inteded use	Multifunctional chair
Manufacturer	GARDHEN BILANCE SRL
Overall weight	70 kg
Type of control	Push-button panel
Wheels	No. 4 swiveling and stainless 100 mm with braking system
Power	Multivoltage 100-240 Vac 50/60 Hz
Electric motors	Low voltage (24 V)
Assorbimento max	4A
Insulation	IP44
Max load	200 kg
Safety working load	235 kg
Conformity	Regulation UE 2017/745

## Main cord



**Type F - Schuko**



**Type L - 16A**



**Type I - Australia**



**Type B - Canada and USA**

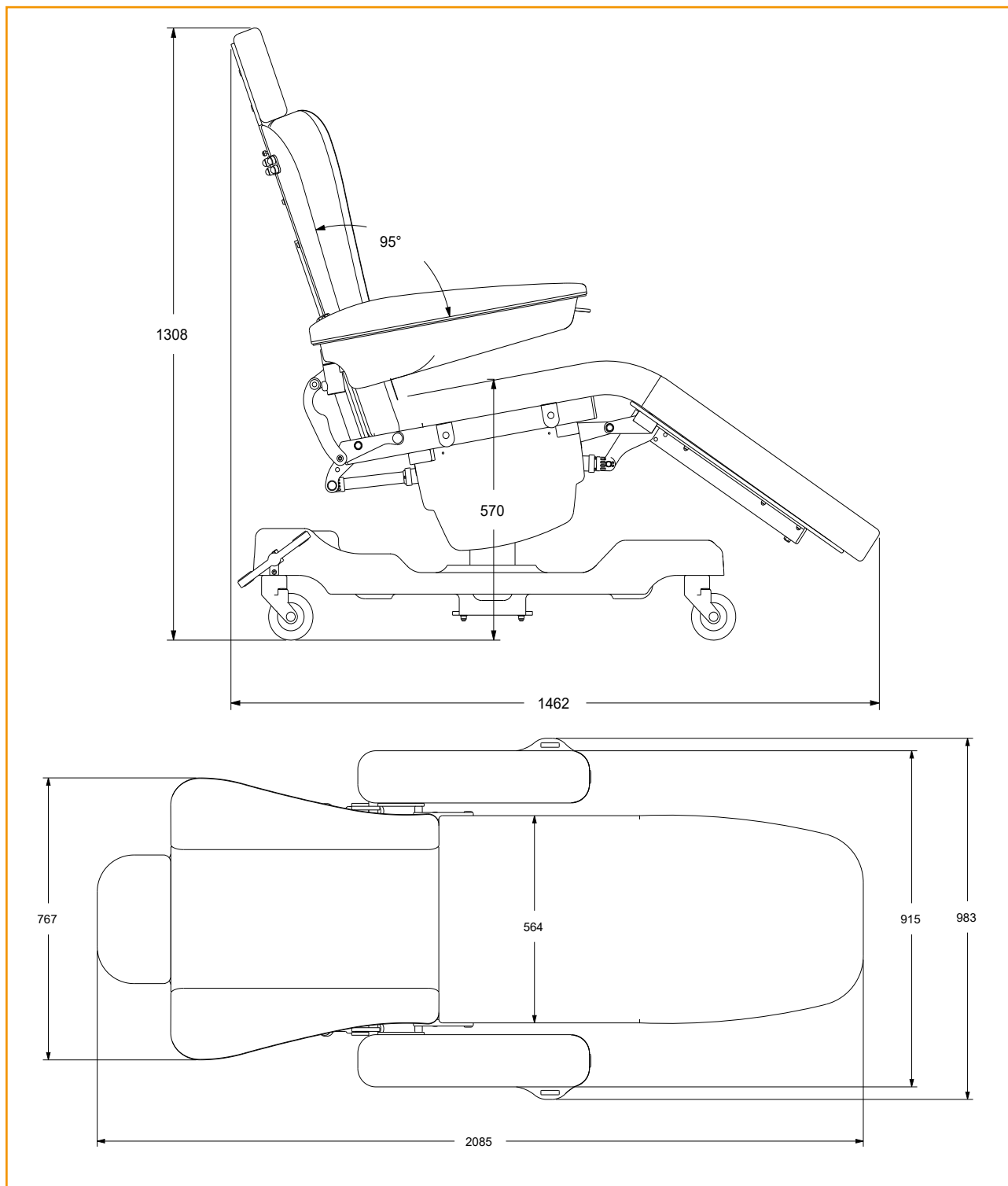


**Type G - UK plug**



# Stephen

## Dimensions



[www.gardhenbalance.it](http://www.gardhenbalance.it)



### Gardhen Balance S.r.l.

Via G. Luraghi c/o Consorzio Il Sole - lotto S - 80038

Pomigliano d'Arco (NA) - Italy

Tel. +39.081.8692160 pbx - Fax +39.081.8692460

E-mail: [info@gardhenbalance.it](mailto:info@gardhenbalance.it)

PEC: [gardhenbalance@pec.it](mailto:gardhenbalance@pec.it)

Le immagini riprodotte in questa scheda sono puramente indicative e i valori dimensionali sono nominali. È facoltà del produttore apportare ai progetti modifiche senza alcun preavviso. Per l'identificazione delle dotazioni di serie e per la scelta di eventuali ulteriori componenti riferirsi al catalogo accessori e/o alle proposte commerciali. In caso di dati discordanti fa fede il contenuto delle proposte commerciali.

Dep. EN 363 rev. 10/11/2023