

Stephen Scale

Therapy chair with integrated weighing system



CHAIR WITH
INTEGRATED SCALE

Frequent usage

Dialysis
Emergency

Servo-assisted
ergonomic armrests
adjustable by the patient

NOVELTY

high

COMFORT

Inpatient and outpatient therapy



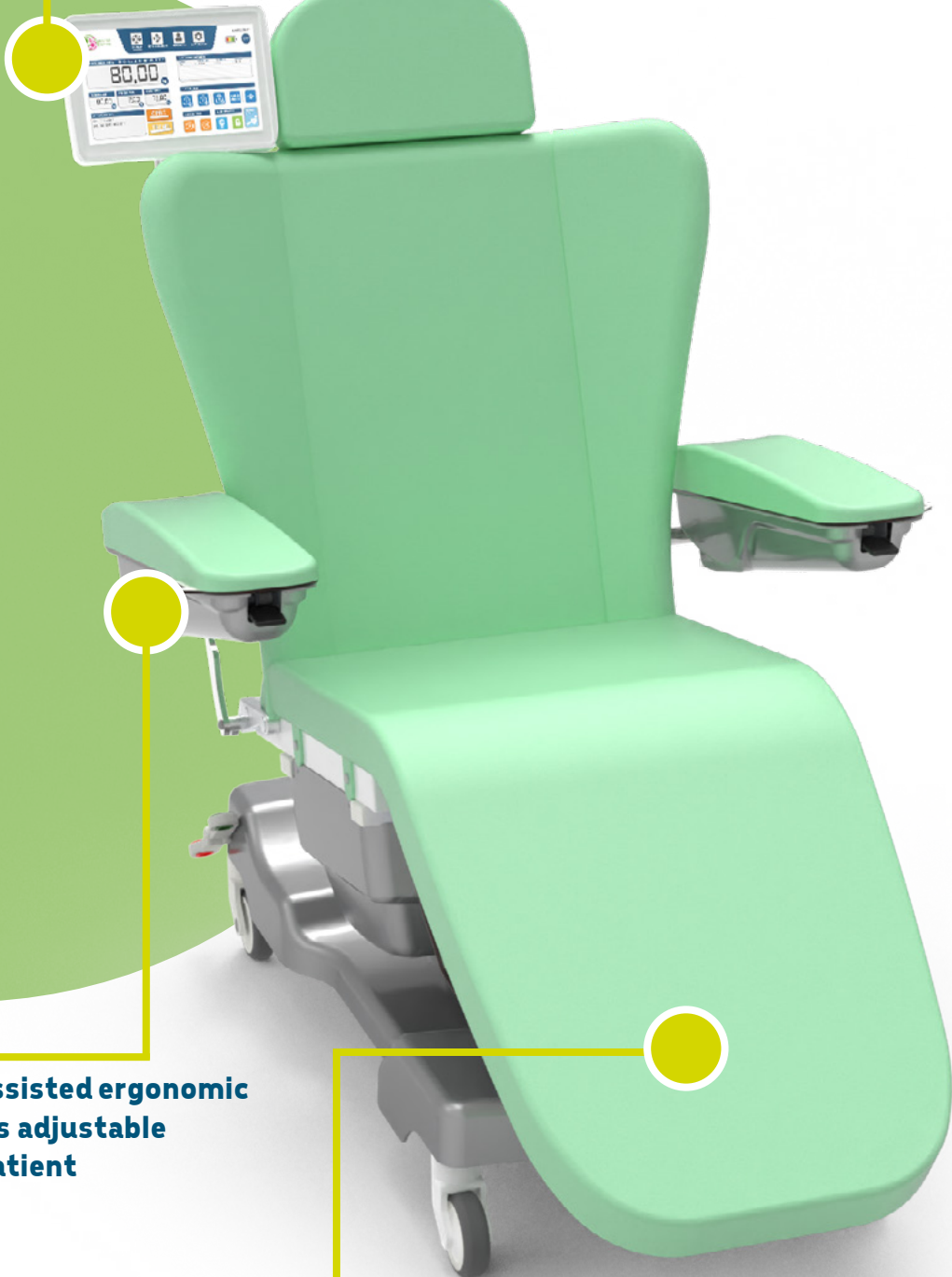
www.gardhenbalance.it



Standard equipment

NOVELTY

Display - GB Touch screen
movements and weighing system
management through a single panel



**Servo-assisted ergonomic
armrests adjustable
by the patient**

**Single cushion
seat/legs**





NOVELTY

Standard equipment

Servo-assisted ergonomic armrests adjustable by the patient



Tilting



Inclination



Rotation





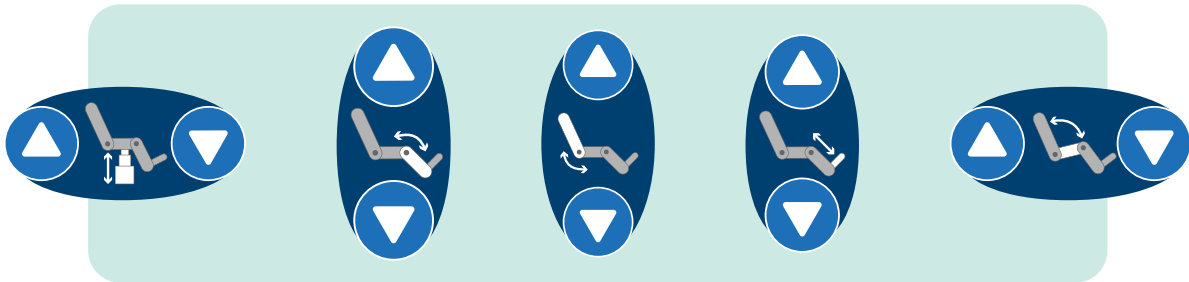
GB Touch

Control panel for electrical movements

The GB Touch display-console allows all electrical movements of the device to be managed via the dedicated control panel.



MANAGEMENT OF ELECTRICAL MOVEMENTS



ADJUSTMENT
HEIGHT VARIABLE
AVAILABLE ON REQUEST

ADJUSTMENT
LEG SECTION

ADJUSTMENT
BACKREST SECTION

ADJUSTMENT
FOOTREST
AVAILABLE ON REQUEST

ADJUSTMENT
SEAT INCLINATION
AVAILABLE ON REQUEST



For more information about the GB Touch

Frame or click the QR code button and find out all the features and potential of the display.

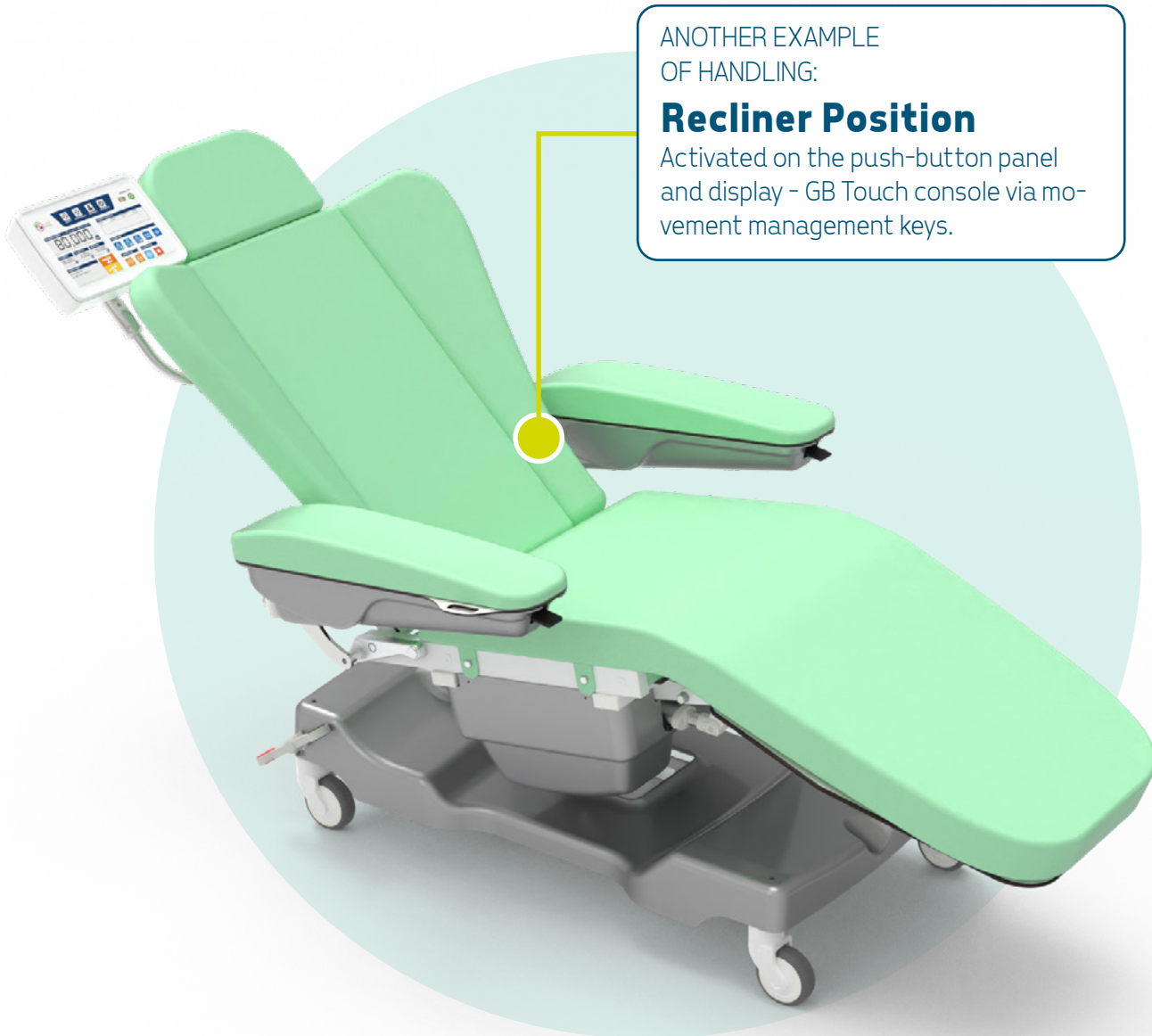




Movements

Independent backrest and leg sections

The movements of the independent back and leg sections are controlled by dedicated buttons on the push-button panel and the GB Touch display-console.

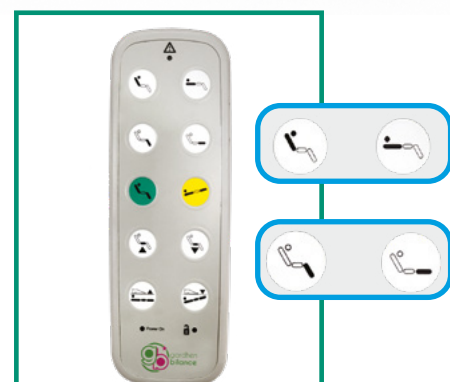


ANOTHER EXAMPLE OF HANDLING:
Recliner Position
 Activated on the push-button panel and display - GB Touch console via movement management keys.

Activated by **GB Touch**



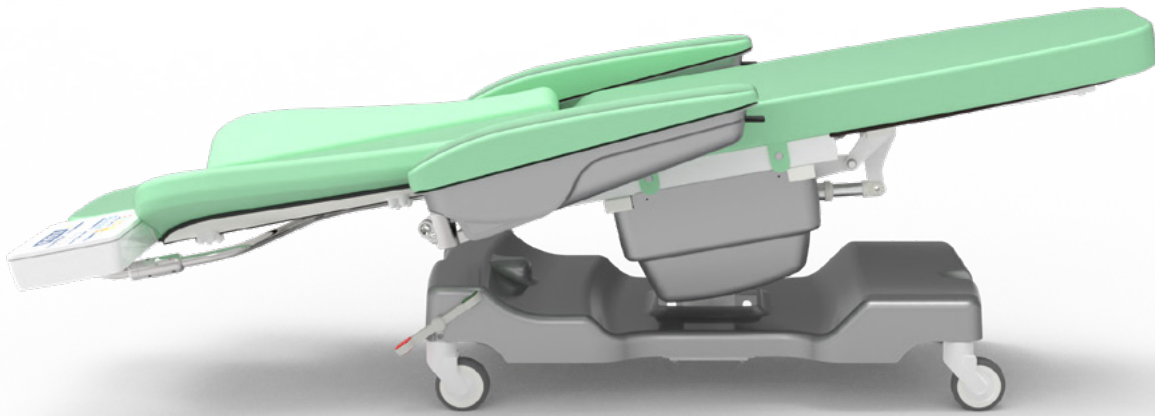
Activated by **Handset**





Movements Trendelenburg

The Trendelenburg position can be obtained using the dedicated buttons on the hand control and the GB Touch console display.



Activated by
GB Touch



Activated by
Handset



Movements Inlet/outlet position



Activated by
GB Touch



Activated by
Handset





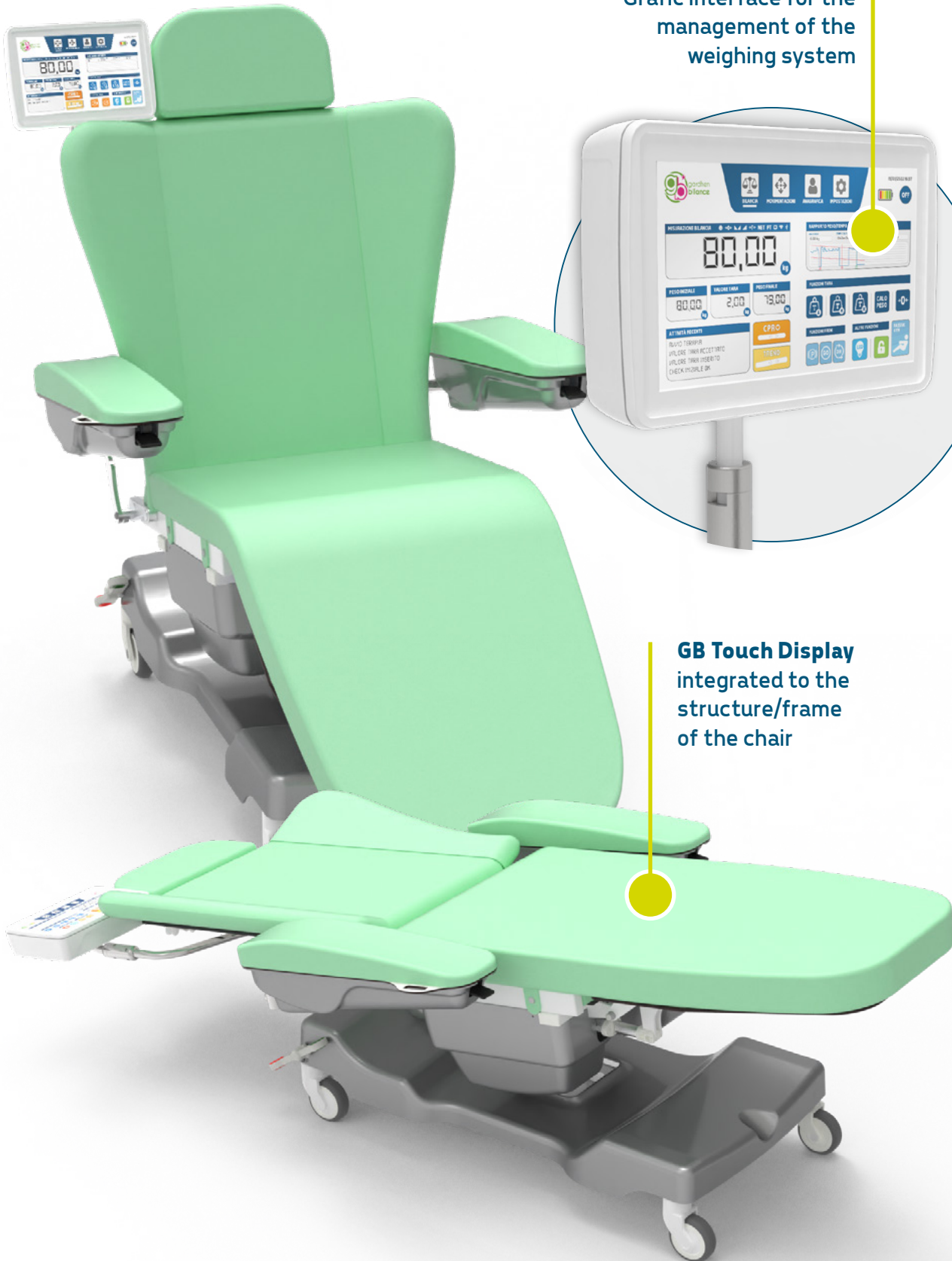
GB Touch Scale display / Control panel

The device is equipped with a 10.1" HD Touch Screen Display with a 160° visual angle to manage the **integrated weighing system** and all the **movements** of the device.

Weighing display
Graphic interface for the management of the weighing system



GB Touch Display
integrated to the structure/frame of the chair





GB Touch features

- Switch-on via Soft Touch Button
- Movements management
- Low voltage power supply
- Indicator box in plastic material with IP65 insulation
- Battery status indicator
- Display lighting control
- Screen saver
- Night mode
- Smart functions
- Complete control via GBSmart android/ios/windows application
- Scheduled maintenance setting
- Language setting: Italian - English - French - Spanish - German
- Digital protection against accidental or unwanted access



Features and qualities of the weighing system

- Weight reading via 10.1" HD touch screen display
- Patient's biographical data
- Patient's location indication
- Tare: automatic and manual. This value is always displayed on the screen
- Unit of measurement indicator: unit of measurement can be selected between kg and lb
- Capacity 200kg
- Minimum division double scale automatic display:
 - 50 g up to 150 kg - 100 g from 150 kg up to 200 kg.
- Converter: 24bit, 10,000 divisions.
- Weight loss alarms.
- Patient descent alarms.
- Access register.
- Remote parameter control
- Automatic data transmission to enabled ports
- Ethernet port 10/100
- On request : Wi-Fi/Bluetooth combo module - USB A port for weight-data transmission
 - USB B port for external printer connection - RS-232 port - RS-485 port.
- Buffer battery to ensure autonomy of the weighing system in the event of a power failure
 - Equipment code AC17/P





Other features of the medical device

- Painted steel frame in thermosetting powder
- Lying surface divided in 4 sections (headrest, backrest, seat and leg).
- Independent movements and/or simultaneous of the back and leg sections - Equipment code AC12
- Trendelenburg position
- Headrest joint to the backrest.
- Servo-assisted Ergonomic Armrests adjustable by the patient:
 - tilting
 - rotation
 - inclination
- No. 4 wheels Ø 100 mm antistatic, sturdy, stainless and swivable.
- Simultaneous brake on rear wheels in chromed steel - Equipment code AC7P1G.
- Chair's movements are controlled by handset with a 3,5 mtl coiled cable. The handset is user friendly and has visual pictograms useful for partially sighted people. Handset is equipped by 10 buttons with 2 memories.
For patient's safety purpose the handset is provided with an inhibition key - Equipment code AC34P. Insulation IP66.
- Bilateral handset support - Equipment code AC25P.
- ABS base cover - Equipment code AC83.
- ABS seat cover - Equipment code AC84.
- Easily removable soft foam independent cushions. Upholstery in flame retardant leatherette UNI 9175/87 e 9175FA-1/94 class 1IM - Equipment code AC87/1.
- Touch screen display for managing movements and the weighing system
- Integrated weighing system.

Do you want to change the colour of the upholstery and frame?

Frame or click the QR codes and discover how to personalise your device by consulting our colour cards*.

*If no preference is expressed, the device will be delivered in the available colour.

Upholstery
Leatherette

Coating
Silicon

Frame



Do you want to improve the device?

Scan the QR Code to find out all the available accessories listed on our catalogue.



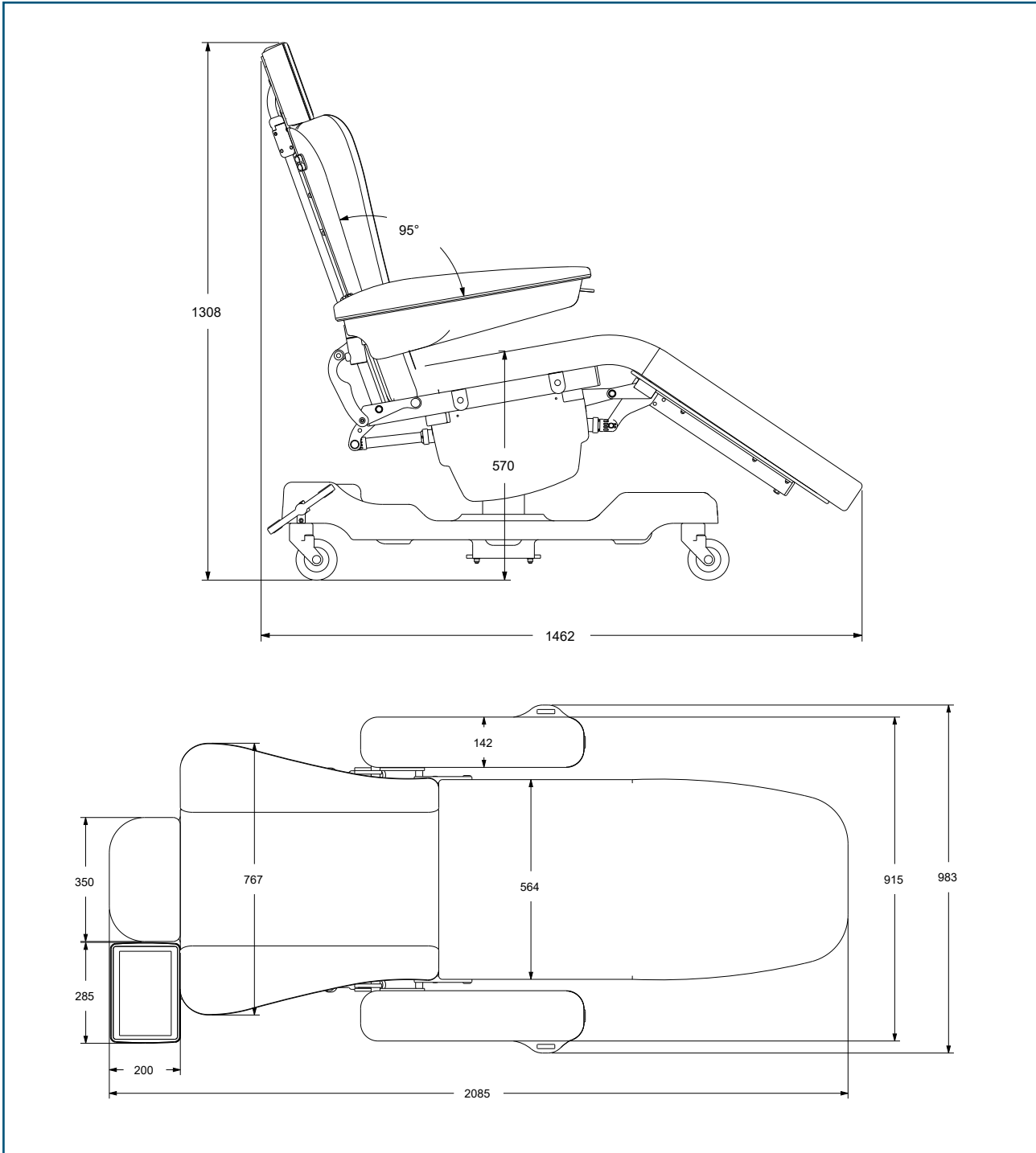
Technical sheet

CND / EMDN code	V08020102
GMDN code	35322
Progressive/R	2512320/R
UDI-DI di base	805771740LVISKK
ID Product	GB0417.SP
Type of control	Display Touch Screen - push-button panel
Battery	10 cycles of autonomy
Battery weighing system	24 V self rechargeable (autonomy approx. 24 hours)
Power	Multivoltage 100-240 Vac 50/60 Hz
Main cable	Schuko or other upon request
Wheels	No. 4 swiveling and stainless 100 mm with braking system
Electric motors	Low voltage (24 V)
Insulation	IP44
Max load	200 kg
Safety working load	235 kg
Divisions	With a max load capacity of 200 kg automatic displaying of the minimal division of 50 g up to 150 kg - 100 g from 150 kg up to 200 kg
Weighing cell power supply:	5Vcc (from 1 to 4)
Display box	Display box in plastic material with IP65 insulation
Converter	24bit
Display	Touch Screen
Power display	24 Vdc
Alarms	Status indicator Luminous on display and on control systems Alarms Excessive or insufficient weight loss / Patient exit alarm / Brake disconnection alarm / Brake disconnection luminous alarm / Battery status indicator / Faults indicator / Maintenance deadline alarm
Data transmission	Ethernet port 10/100 On request: WI-Fi/Bluetooth combo module - USB A port for weight-given transmission - USB B port for external printer connection - RS-232 port - RS-485 port..
I/O (opz.)	4 output
Antiblack-out function	Extra battery + software
Tare	Tare subtraction before and during the treatment
Tare modalities	Automatic and manual
Conformity	Regulation UE 2017/745 Certificate No. 126/MDR issued by O.B. 0051 It meets all applicable standards and directives





Dimensions



Main cord



**Type F
Schuko**



**Type L
16A**



**Type I
Australia**



**Type B
Canada and USA**



**Type G
UK plug**



Stephen Scale

Therapy chair with integrated weighing system

www.gardhenbilance.it



Gardhen Bilance S.r.l.

Via G. Luraghi c/o Consorzio Il Sole - lotto S - 80038 Pomigliano d'Arco (NA) - Italia

Tel. +39.081.8692160 pbx - Fax +39.081.8692460

E-mail: info@gardhenbilance.it - PEC: gardhenbilance@pec.it

www.gardhenbilance.it / Follow us

Pictures contained in this brochure is for illustrative purpose only. The manufacturer reserves the right to modify the projects without notice. For accessories identification please refer to the accessory catalogue or commercial offer. When data are different please refer to commercial offer.

Dep. EN_362 rev 16/04/2024