

Stephen Scale H Freedom

Multifunctional Bariatric chair
with integrated weighing system



THERAPY CHAIR WITH
INTEGRATED SCALE

Frequent Usage

Bariatric
Dialysis
Emergency room



High

COMFORT

Inpatient and outpatient therapy



www.gardhenbalance.it



Standard equipment

Display - GB Touch Console
handling and weighing system
management.



**Fully removable
cushions** to facilitate
sanitization activities
of the device.





Standard equipment

Armrests ergonomic multi-adjustment and equipped with hand control support.



Supportive of the Backrest



Swivels



Tiltable



Overtunable





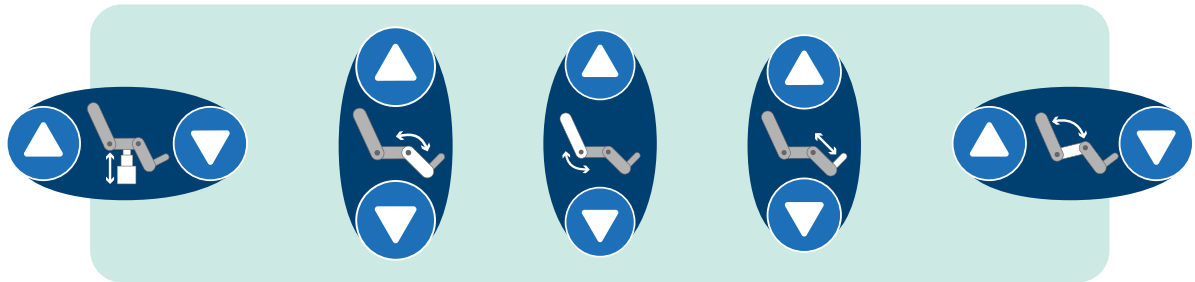
GB Touch

Control panel for electrical movements

The display-console GB Touch enables all electrical movements of the device to be managed through the dedicated control panel.



MANAGEMENT OF ELECTRICAL MOVEMENTS



ADJUSTMENT
**HEIGHT
VARIABLE**

ADJUSTMENT
**SECTION
LEG**

ADJUSTMENT
**SECTION
BACKREST
SYNCHRONIZED
WITH THE SECTION
LEGS**

ADJUSTMENT
FOOTREST
OPTIONAL
UPON REQUEST

ADJUSTMENT
**INCLINATION
SITTING**



For more information from the GB Touch

Frame or click the QR code button and discover all the features and potential of the display.



Movements

Synchronized back and leg sections

The movements of the synchronized back and leg sections are controlled by the dedicated buttons on the hand control and the display-console GB Touch.

FURTHER EXAMPLE OF HANDLING:

Recliner Location

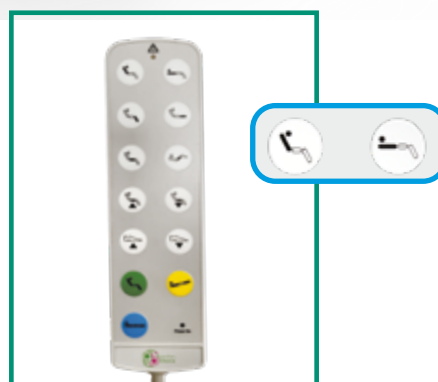
Can be activated on push-button panel and display - GB Touch console via movement management keys.



Activation by
GB Touch



Activation by
Handset

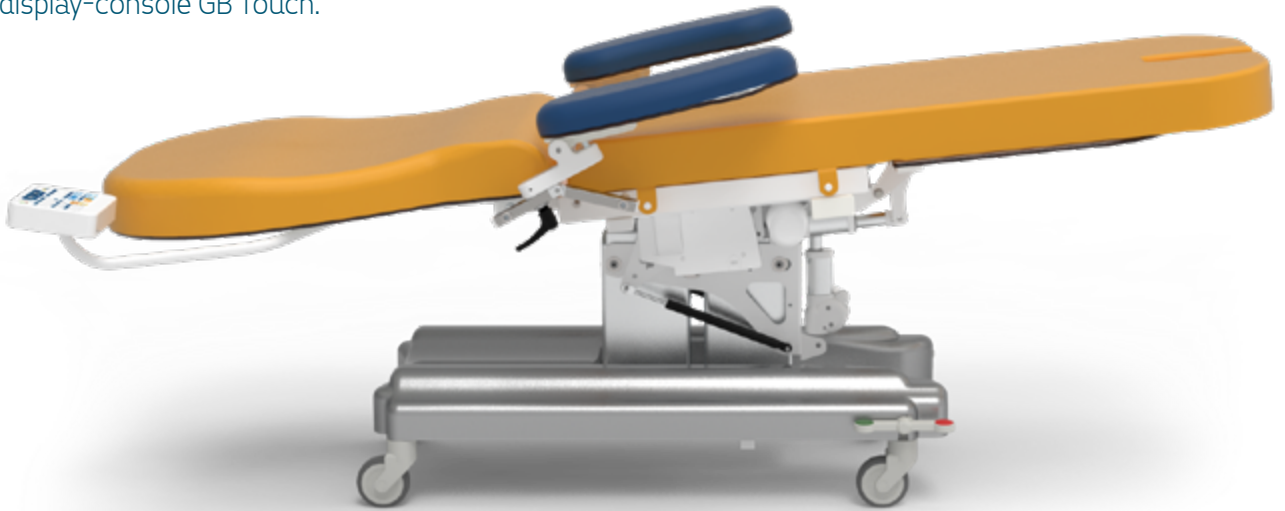




Movements

Trendelenburg

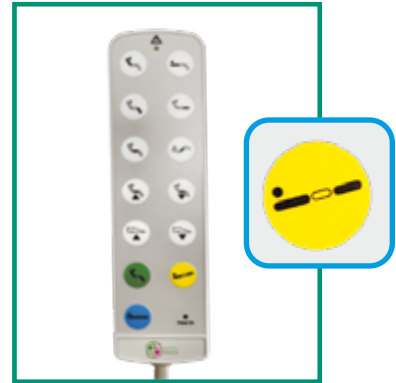
The Trendelenburg position can be obtained through dedicated buttons on the hand control and on the display-console GB Touch.



Activation by
GB Touch



Activation by
Handset



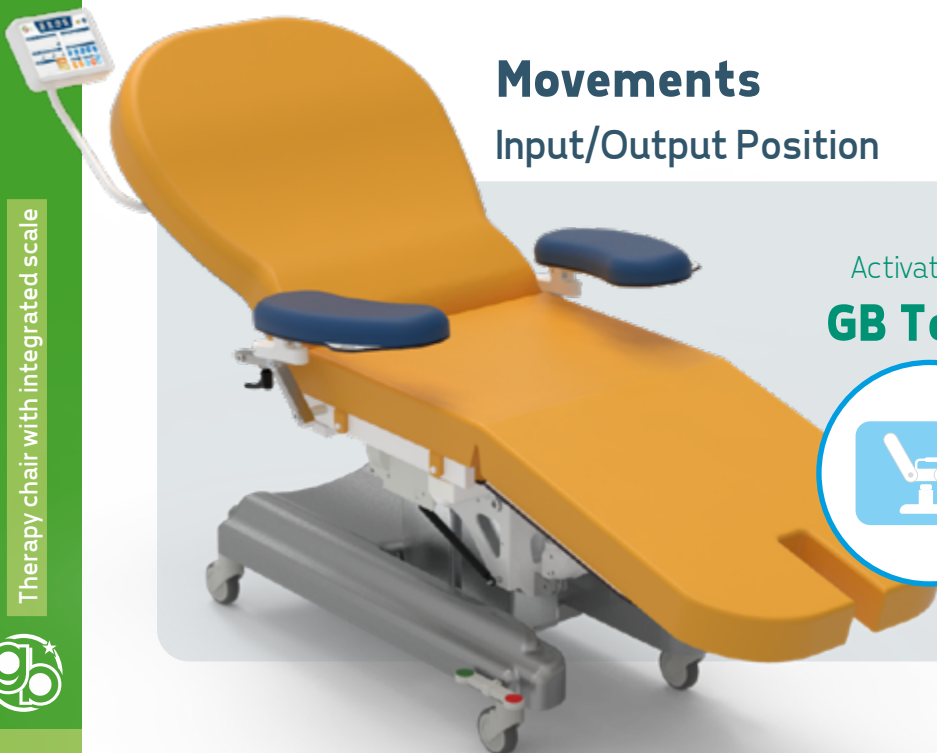
Movements

Input/Output Position

Activation by
GB Touch



Activation by
Handset





GB Touch

Scales Display and Control/Management Console

The chair is equipped with 10.1" HD Touch Screen Display with 160° viewing angle useful for managing the **integrated weighing system** and all **movements** of the device.

GB Touch display integral to the structure/frame of the chair

Display Bilancia with interface graphics for managing the **weighing system**





Features of GB Touch

- Power on via Soft TouchKey
- Movement management
- Low voltage power supply
- Plastic indicator box with IP65 insulation
- Battery status indicator
- Display lighting control
- Screen saver
- Night mode
- Smart Functions
- Full control via android/ios/windows app GBSmart
- Scheduled maintenance setting
- Language setting: Italian - English - French - Spanish - German
- Digital protection against accidental or unwanted access



Features and functionality of the weighing system

- Weight reading via HD 10.1" touch screen display
- Patient master data
- Patient location indication
- Tare: automatic and manual always visible
- Unit indicator: unit of measure selectable between kg and lbf
- Scope: 300 kg;
- Automatic display double scale minimum division:
50g up to 150kg; 100g from 150kg up to 300kg;
- Converter: 24bit, 10,000 divisions
- Weight loss alarms
- Patient descent alarms
- Access log
- Remote parameter control
- Automatic data transmission to enabled ports
- Porta Ethernet 10/100
- Optional: WI-Fi/Bluetooth combo module - USB A port for weight data transmission - USB B port for external printer connection - RS-232 port - RS-485 port.
- Backup battery to ensure autonomy of weighing system in power failure - equipment code AC17/P





Other features of the medical device

- Anti-tip frame ensuring stability under all operating conditions.
- Frame painted with thermosetting epoxy powders enriched with antibacterial with wide assortment of colors.
- Top divided into 3 sections: back, seat and legs.
- Movement by 5 (five) motors, with which it is possible to adjust:
 - By means of two motors that allow independent adjustment of the back/leg sections-Equipment code AC12.
 - By means of a dedicated motor, it is possible to adjust the inclination of the seat - Equipment code AC35/1.
 - By means of two motors, the variable height can be adjusted - Equipment code AC28/300.
- Trendelenburg position 10° (alternatively shock position).
- Armrests integral to the backrest movement, removable, with swivel function, tiltable up/down, 90° tilt; (see accessory catalog for other type of armrests).
- No. 4 durable, antistatic, stainless, swivel casters Ø 100 mm.
- Centralized brake on 4 wheels with directional system made of galvanized steel, operated by rear bilateral foot pedal - Equipment code AC7P2G.
- 13-button hand control with 3 memories for operation of all executable movements (equipment code AC6MP). All chair movements are controlled by perimeter hand control equipped with 3.5 m coiled cable. For patient safety, the hand control is equipped with a key for control inhibition, equipment code AC34P. The hand control is easy to use as it is made with large raised pictograms and is also suitable for visually impaired patients; IP66 insulation.
- Double-sided push-button panel support - Equipment code AC25P.
- ABS cover for base - Equipment code AC83H.
- Easily removable independent soft foam cushions.
- Fire-retardant leatherette upholstery UNI 9175/87 and 9175FA-1/94 class 11M - Equipment code AC87/1.
- Touch screen display, located on the back of the backrest - Equipment code AC167.
- Integrated weighing system.

Do you want to change the color of the upholstery and frame?

Frame or click the QR codes and find out how to customize your device by browsing our color cards*.

*If no preference is expressed, the device will be supplied with the available color.

Coating
Leatherette

Coating
Silicon

Frame



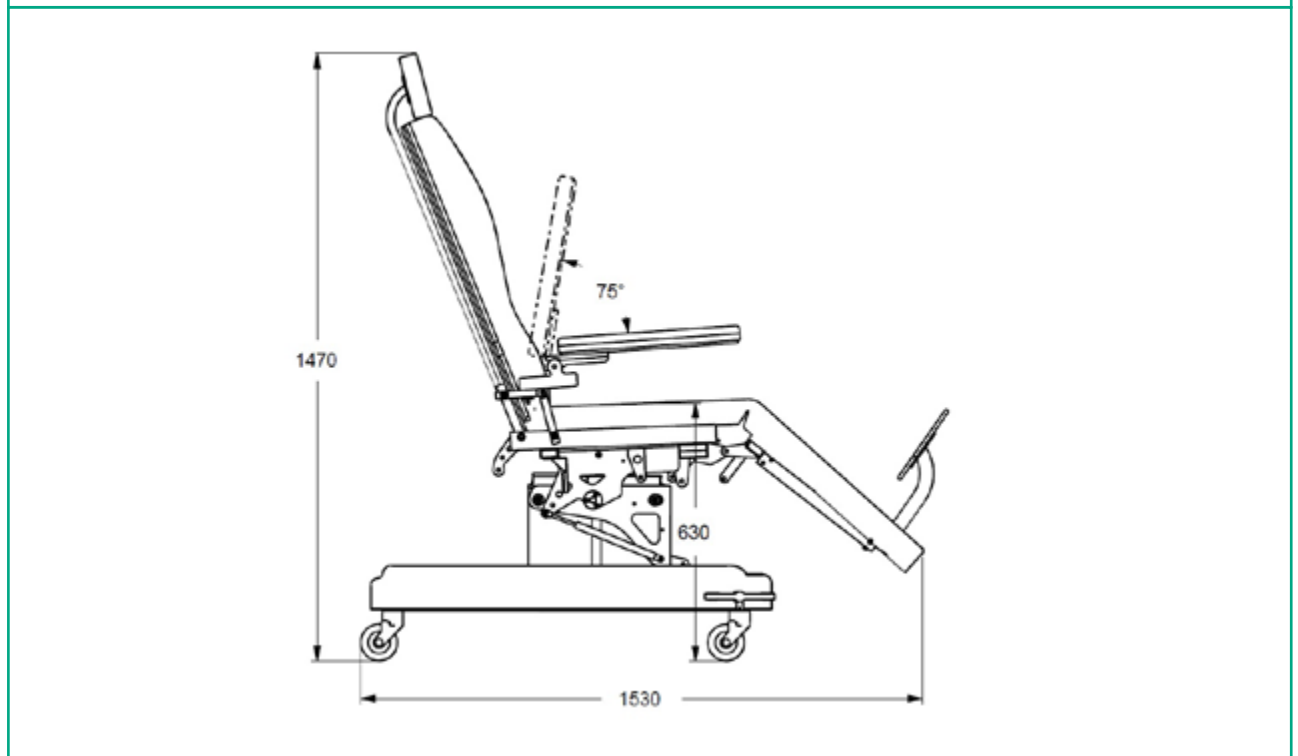
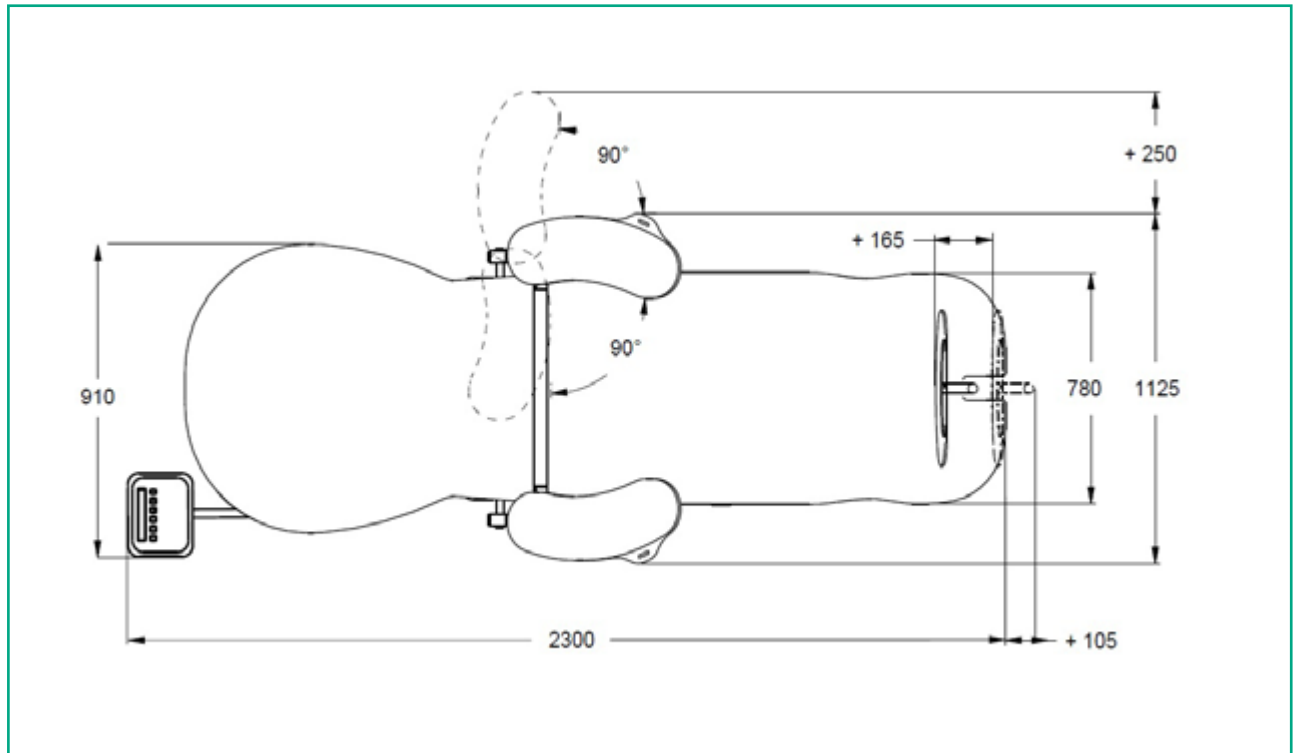
Do you want to implement the device?

Frame the QR code and discover all the components optional available





Dimensions



Main Cord



Type F - Schuko



Type L - 16A



Data sheet

Codice CND / EMDN	V08020102
GMDN Code	35322
No. progressive/R	359279/R
Basic UDI-DI	805771740POLBJK
Product Code	GB0011.BP Steel painted GB0011.BS Stainless steel
Intended Use	Armchair scale for mass determination in medical practice in the context of weighing patients for reasons of control, diagnosis and treatment.
Manufacturer	GARDHEN BILANCE SRL
Device weight	100 kg
Type of control	Display Touch Screen - Pulsantiera
Battery	Autonomy 10 cycles
Weighing system batteries	24 V self-rechargeable (approximately 24 hours of battery life)
Power supply	Multivoltage 100-240 Vac 50-60 Hz
Power cord type	Schuko or other upon request
Wheels	No. 4 stainless swivel 100 mm with braking system
Electric motors	Low voltage (24 V)
Max absorption	4A
Insulation	IP44
Maximum Scope	300 kg
Safe Workload	335 kg
Minimum division	With capacity up to 300kg minimum division display 50g up to 150kg: 100g from 150kg up to 300kg.
Cell power supply:	5VDC (1 to 4)
Box display	Plastic viewer box with IP65 insulation
Converter	24bit
Display	Touch screen
Display power supply	24 Vdc
Alarms	Excessive or insufficient weight drop alarm / Patient drop alarm / Brake not engaged alarm / Brake not engaged light alarm / Battery status indicator / Fault alarms / Maintenance due date alarms
Data transmission	Ethernet port 10/100 Optional: Wi-Fi/Bluetooth combo module - USB A port for weight data transmission - USB B port for external printer connection - RS- 232 port - RS-485 port.
I/O (opz.)	4 outputs
Anti-black-out function	Battery and Software
Tare	Tare subtractions before and during dialysis
Tare mode	Automatic and manual
Compliance	EU Regulation 2017/745 Certificate No. 126/MDR issued by O.N. 0051 Meets, of course , all applicable standards and directives



Stephen Scale H Freedom

Multifunctional bariatric chair with integrated weighing system



Gardhen Balance S.r.l.

Via G. Luraghi c/o Consorzio Il Sole - lot S - 80038 Pomigliano d'Arco (NA) - Italy

Tel. +39.081.8692160 pbx - Fax +39.081.8692460

E-mail: info@gardhenbalance.it

PEC: gardhenbalance@pec.it

www.gardhenbalance.it



Images reproduced in this sheet are for reference only and dimensional values are nominal. It is the manufacturer's right to make changes to designs without prior notice. Refer to the accessories catalog and/or commercial proposals for the identification of standard equipment and the selection of any additional components. In case of discrepant data, the content of the commercial proposals shall prevail.

Dep. EN_29 rev. 12/06/2024