

# Stephen Scale H Flat - Junior

Multipurpose **Pediatric seating**  
with integrated weighing system



CHAIR WITH  
INTEGRATED SCALE

Frequent Usage

Paediatrics  
Dialysis  
Emergency room



High  
**COMFORT**

Inpatient and outpatient therapy



[www.gardhenbalance.it](http://www.gardhenbalance.it)



Standard equipment

**Display - GB Touch Console**  
handling and weighing system  
management.



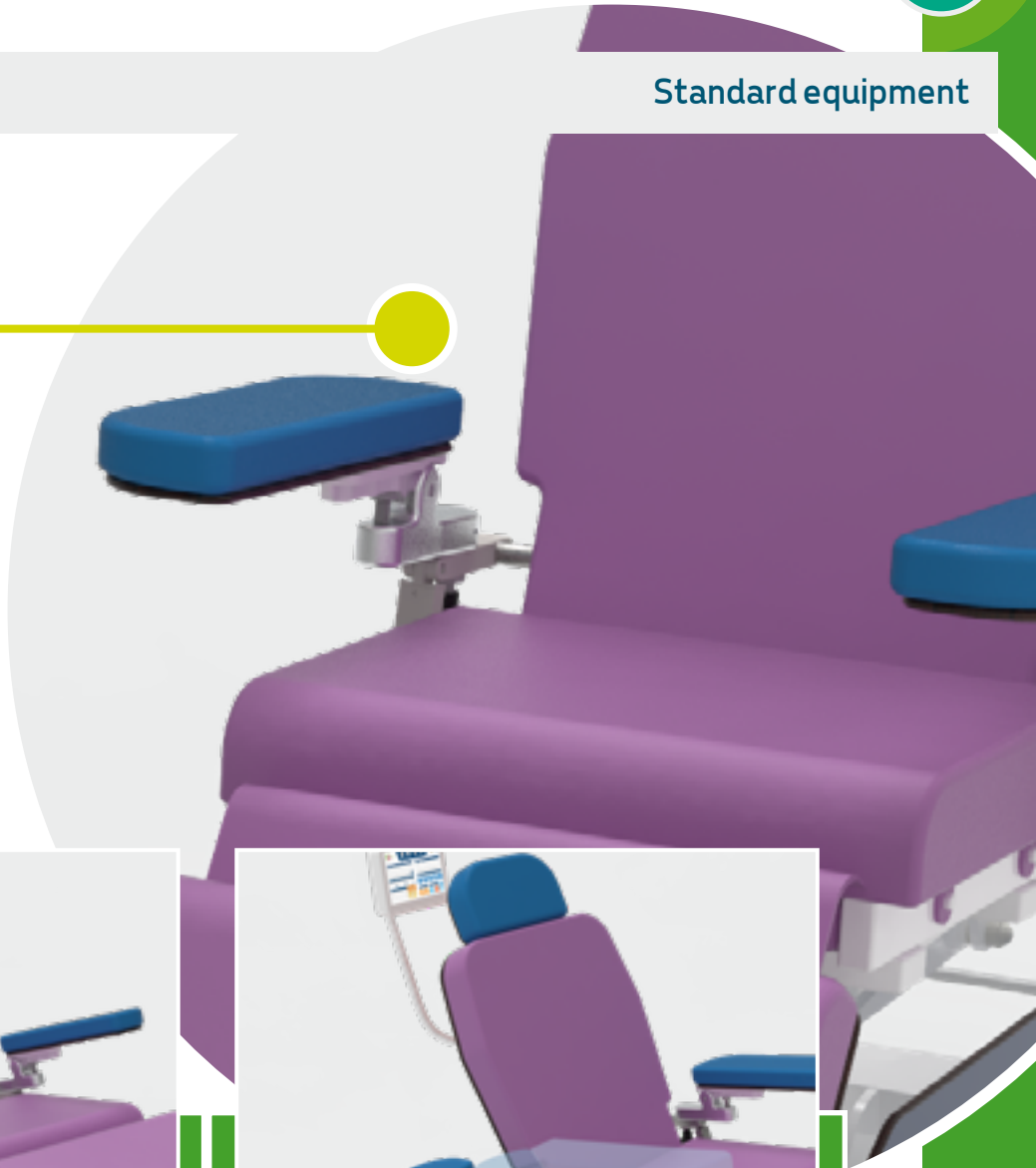
**Pillows completely  
removable** to facilitate  
sanitization activities  
of the device.





Standard equipment

**Armrests ergonomic multiple adjustment**



Supportive of the Backrest



Swivels



Tiltable



Overtunable





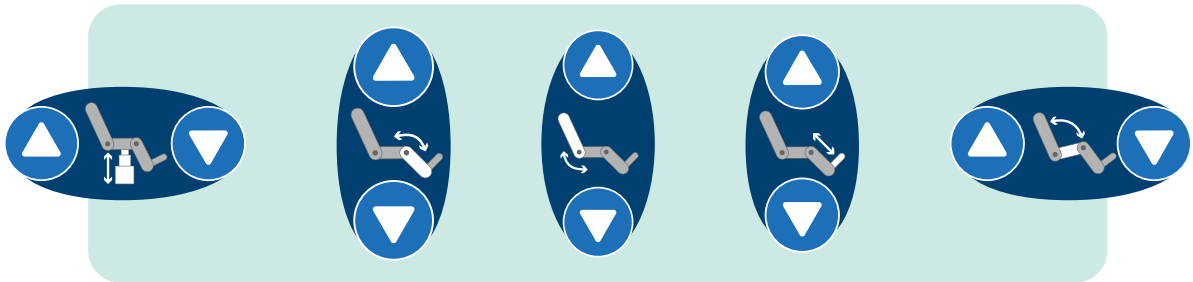
## GB Touch

### Control panel for electrical movements

The display-console GB Touch enables all electrical movements of the device to be managed through the dedicated control panel.



## MANAGEMENT OF ELECTRICAL MOVEMENTS



ADJUSTMENT  
**HEIGHT VARIABLE**  
OPTIONAL UPON REQUEST

ADJUSTMENT  
**SECTION LEG**  
OPTIONAL UPON REQUEST

ADJUSTMENT  
**SECTION BACKREST SYNCHRONIZED WITH THE SECTION LEGS**

ADJUSTMENT  
**FOOTREST**  
OPTIONAL UPON REQUEST

ADJUSTMENT  
**INCLINATION SITTING**  
OPTIONAL UPON REQUEST



### For more information from the GB Touch

Frame or click the QR code button and discover all the features and potential of the display.



# Movements

## Synchronized back and leg sections

The movements of the synchronized back and leg sections are controlled by the dedicated buttons on the hand control and the display-console GB Touch.



FURTHER EXAMPLE OF HANDLING:

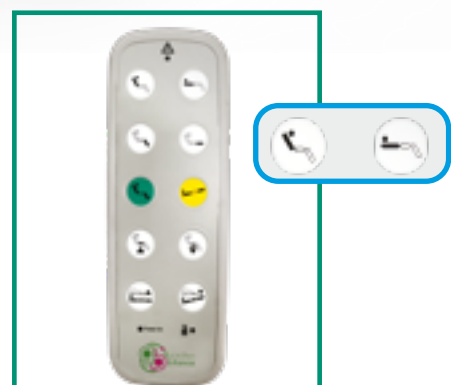
### Recliner Location

Can be activated on push-button panel and display - GB Touch console via movement management keys.

Activation by  
**GB Touch**



Activation by  
**Handset**

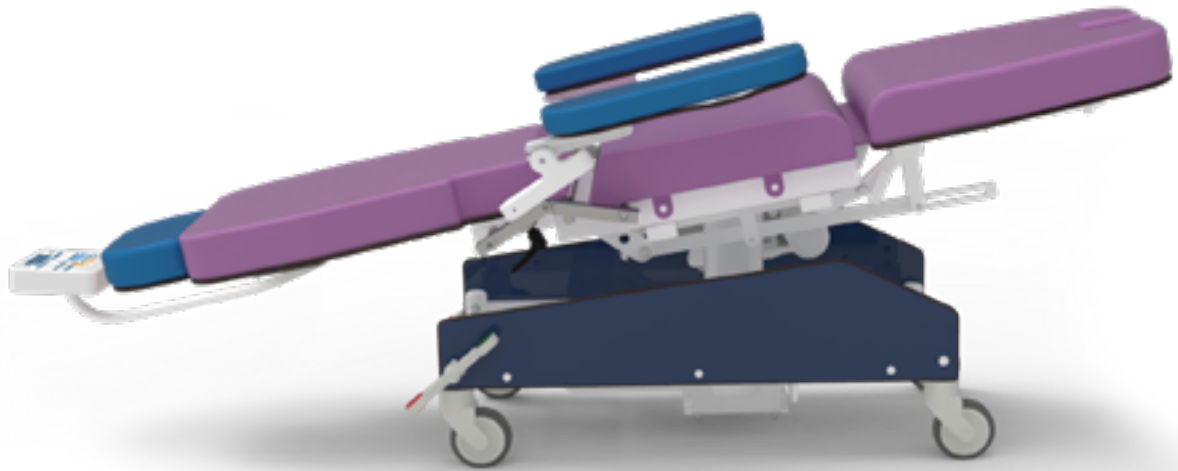




# Movements

## Trendelenburg

The Trendelenburg position can be obtained through dedicated buttons on the hand control and on the display-console GB Touch.



Activation by  
**GB Touch**



Activation by  
**Handset**



# Movements

## Input/Output Position



Activation by  
**GB Touch**



Activation by  
**Handset**





## GB Touch

### Scales Display and Control/Management Console

The chair is equipped with 10.1" HD Touch Screen Display with 160° viewing angle useful for managing the **integrated weighing system** and all **movements** of the device.

**GB Touch display**  
integral to the  
structure/frame  
of the chair

**Display Bilancia**  
with interface graphics for  
managing the **weighing system**





## Features of GB Touch

- Power on via Soft TouchKey
- Movement management
- Low voltage power supply
- Plastic indicator box with IP65 insulation
- Battery status indicator
- Display lighting control
- Screen saver
- Night mode
- Smart Functions
- Full control via android/ios/windows app GBSmart
- Scheduled maintenance setting
- Language setting: Italian - English - French - Spanish - German
- Digital protection against accidental or unwanted access



## Features and functionality of the weighing system

- Lettura peso tramite display touch screen HD 10.1"
- Patient master data
- Patient location indication
- Tare: automatic and manual always visible
- Unit indicator: unit of measure selectable between kg and lbf
- Capacity: 200 kg;
- Automatic display double scale minimum division:  
50g up to 150kg; 100g from 150kg up to 200kg;
- Converter: 24bit, 10,000 divisions
- Weight loss alarms
- Patient descent alarms
- Access log
- Remote parameter control
- Automatic data transmission to enabled ports
- Porta Ethernet 10/100
- Optional: WI-Fi/Bluetooth combo module - USB A port for weight data transmission - USB B port for external printer connection - RS-232 port - RS-485 port.
- Backup battery to ensure autonomy of weighing system in power failure - equipment code AC17/P







## Other features of the medical device

- Structurally space-saving device.
- Anti-tip type frame that ensures stability under all operating conditions.
- Frame painted with thermosetting epoxy powders enriched with antibacterial with wide assortment of colors.
- Top divided into 4 sections: headrest, backrest, seat and legs.
- Simultaneous movement of back and leg sections by 1 motor.
- Trendelenburg position.
- Headrest integral with the backrest.
- Armrests integral to the backrest movement, removable, with swivel function, tiltable up/down, 90° tilt; (see accessory catalog for other type of armrests).
- No. 4 durable, antistatic, stainless, swivel wheels Ø 100mm.
- Simultaneous brake galvanized steel rear wheels - Equipment code AC7PIG.
- All chair movements are controlled by a perimeter hand control equipped with a 3.5 m coiled cable. The hand control is easy to use as it is made with large raised pictograms and is also suitable for visually impaired patients. The hand control is equipped with 10 keys with 2 memories.  
For patient safety, the hand control is equipped with a key for control inhibition - Equipment code AC34P. IP66 insulation.
- Double-sided push-button panel support - Equipment code AC25P.
- Pair of HPL side panels-Equipment code AC49.
- Easily removable independent cushions for back, seat and leg sections. The cushions are made of soft foam, which is functional for: excellent posture, ergonomics and preventive effect of decubitus injuries.
- Antibacterial leatherette upholstery, flame retardant UNI 9175/87 and 9175FA-1/94 class 11M, antifungal, environmentally friendly, latex free, phthalate free and durable - Supplied Code AC87/1.
- Touch screen display, located on the back of the backrest - Equipment code AC167.
- Integrated weighing system.

### Do you want to change the color of the upholstery and frame?

Frame or click the QR codes and find out how to customize your device by browsing our color cards\*.

\*If no preference is expressed, the device will be supplied with the available color.

Coating  
Leatherette

Coating  
Silicon

Frame

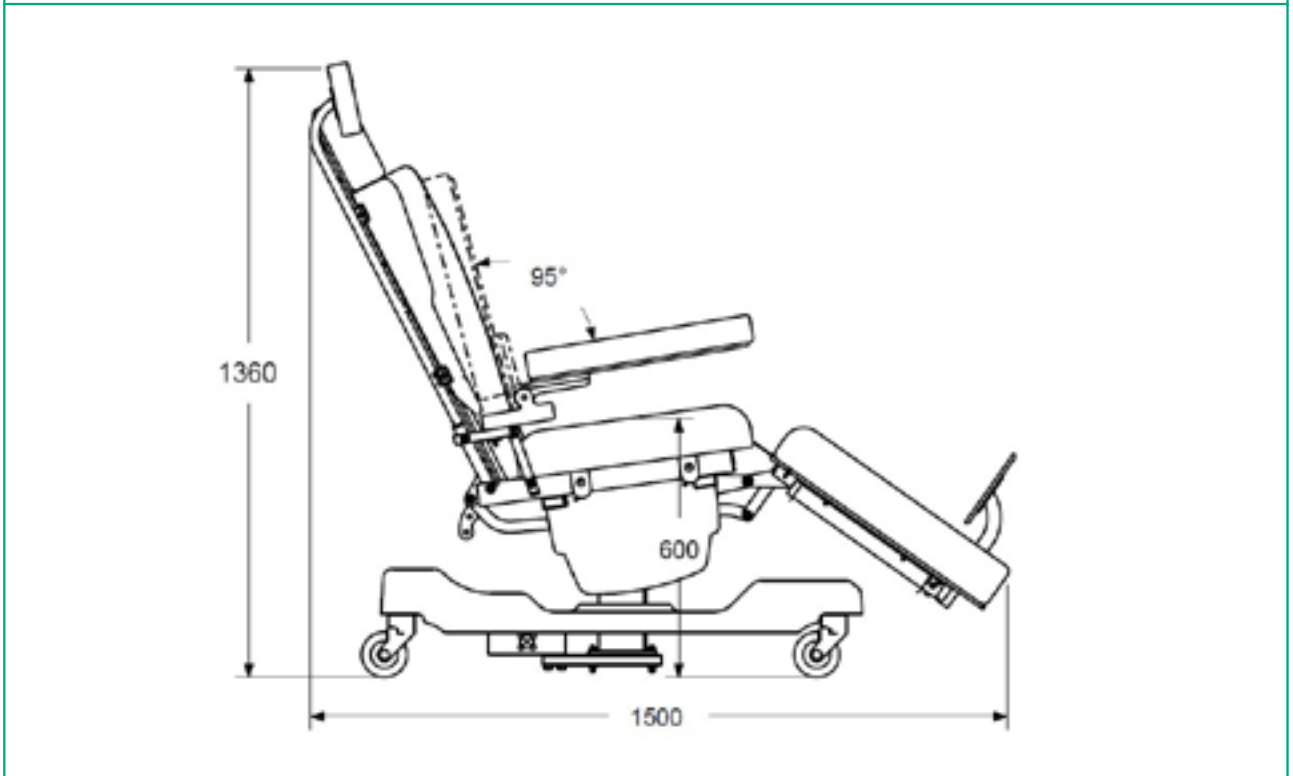
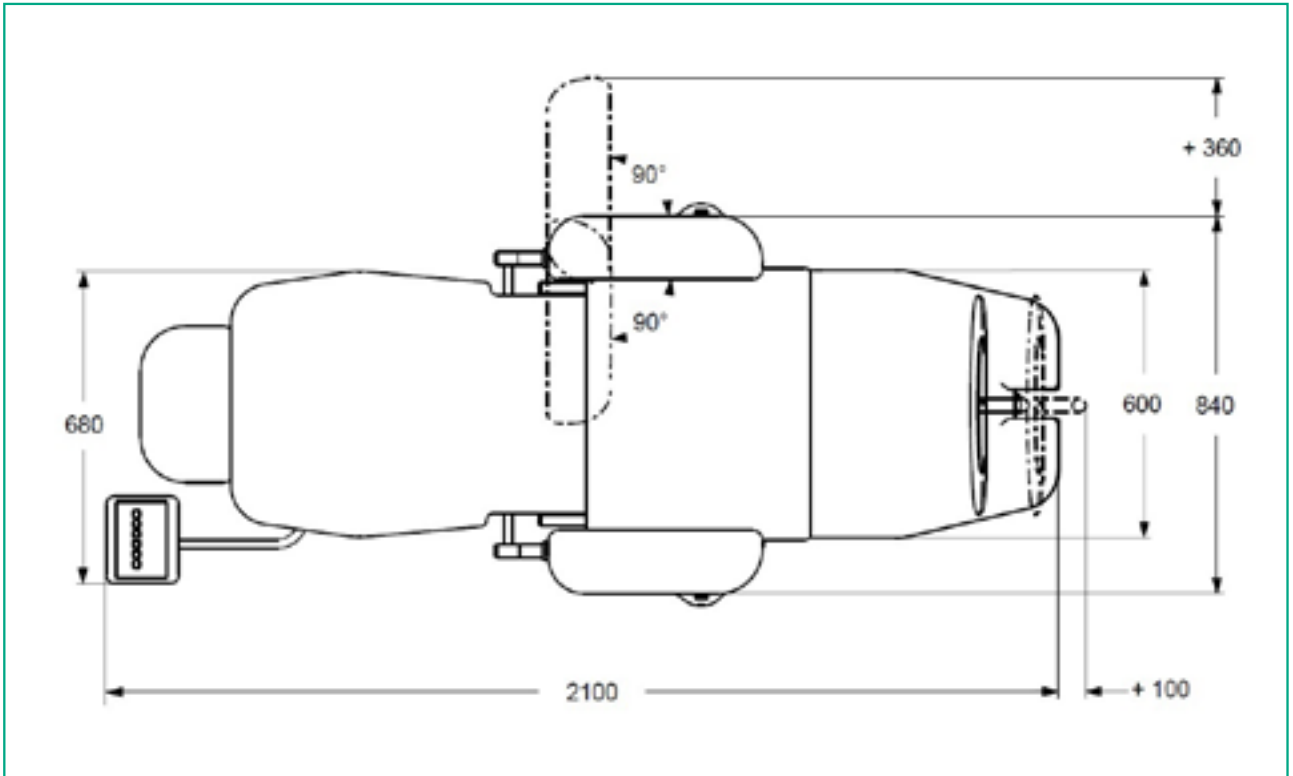


### Do you want to implement the device?

Frame the QR code and discover all the components optional available



## Dimensions



## Main cord



**Type F**  
Schuko



**Type L**  
16A



**Type I**  
Australia



**Type B**  
Canada and USA



**Type G**  
UK plug



## Data sheet

Codice CND / EMDN	<b>V08020102</b>
GMDN Code	<b>35322</b>
No. progressive/R	<b>88558/R</b>
Basic UDI-DI	<b>805771740POLBJK</b>
Product Code	<b>GB0010.JP</b> Steel painted <b>GB0010.JS</b> Stainless steel
Intended Use	Armchair scale for mass determination in medical practice in the context of weighing patients for reasons of control, diagnosis and treatment.
Manufacturer	GARDHEN BILANCE SRL
Device weight	70 kg
Type of control	Display Touch Screen - Handset
Battery	Autonomy 10 cycles
Weighing system batteries	24 V self-rechargeable (approximately 24 hours of battery life)
Power supply	Multivoltage 100-240 Vac 50-60 Hz
Main Cord	Schuko or other upon request
Wheels	No. 4 stainless swivel 100 mm with braking system
Electric motors	Low voltage (24 V)
Max absorption	4A
Insulation	IP44
Maximum Scope	150 kg
Safe Workload	185 kg
Minimum division	With capacity up to 200kg minimum division display of 50g up to 150kg; 100g from 150kg up to 200kg.
Cell power supply:	5VDC (1 to 4)
Box display	Plastic viewer box with IP65 insulation
Converter	24bit
Display	Touch screen
Display power supply	24 Vdc
Alarms	Excessive or insufficient weight drop alarm / Patient drop alarm / Brake not engaged alarm / Brake not engaged light alarm / Battery status indicator / Fault alarms / Maintenance due date alarms
Data transmission	Ethernet port 10/100 Optional: Wi-Fi/Bluetooth combo module - USB A port for weight data transmission - USB B port for external printer connection - RS-232 port - RS-485 port.
I/O (opz.)	4 outputs
Anti-black-out function	Battery and Software
Tare	Tare subtractions before and during dialysis
Tare mode	Automatic and manual
Compliance	EU Regulation 2017/745 Certificate No. 126/MDR issued by O.N. 0051 Meets, of course , all applicable standards and directives

# Stephen Scale H Flat - Junior

Multipurpose **Pediatric seating**  
with integrated weighing system



## Gardhen Balance S.r.l.

Via G. Luraghi c/o Consorzio Il Sole - lot S - 80038 Pomigliano d'Arco (NA) - Italy

Tel. +39.081.8692160 pbx - Fax +39.081.8692460

E-mail: [info@gardhenbalance.it](mailto:info@gardhenbalance.it)

PEC: [gardhenbalance@pec.it](mailto:gardhenbalance@pec.it)

[www.gardhenbalance.it](http://www.gardhenbalance.it)



Images reproduced in this sheet are for reference only and dimensional values are nominal. It is the manufacturer's right to make changes to the designs without prior notice. Refer to the accessories catalog and/or commercial proposals for the identification of standard equipment and the selection of any additional components. In case of discrepant data, the contents of the commercial proposals shall prevail.

Dep. EN\_13 rev. 18/06/2024