

# Stephen H Freedom

Multifunctional chair



SEATING

Frequent Usage

Chemotherapy  
Infusions Therapy  
Day Hospital  
Blood donor  
Blood samples  
Emergency  
Dialysis  
Patient transport  
Dermatology  
Cosmetics  
Multifunctional



High

**COMFORT**

Inpatient and outpatient treatment



[www.gardhenbalance.it](http://www.gardhenbalance.it)



**The seat/leg cushions** are fully removable allowing an easy sanitization of the device. Surface in non-porous HPL panels



**Bilateral handset support** equipment code AC25P





**Multi-adjustable ergonomic armrests**



**Jointly to the backrest**



**Rotation**



**Tiltable**



**Overturnable**





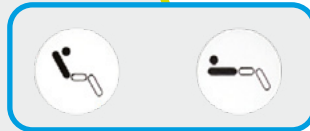
## Movements

### Synchronised back and leg sections

The movements of the synchronised back and leg sections are controlled by dedicated buttons on the handset.



Activated by  
**Handset**



**Movements simultaneous**  
of the back and leg sections



# Movements

## Trendelenburg

The Trendelenburg position can be obtained using the dedicated buttons on the handset.

Activated by  
**Handset**



## Recliner

Another example of movement





## Other features of the medical device

- Painted steel frame in thermosetting powder.
- Lying surface divided in 3 sections: backrest, seat and leg.
- Simultaneous movement of the back section and the leg section through 1 motor.
- Trendelenburg position (shock position as alternative).
- Armrest's movements synchronized with the backrest. The armrests are completely removable and can be rotate, tilted and overturned at 90°; (please refer to the accessories catalogue for other version of armrests).
- No. 4 wheels ø 100 mm antistatic, sturdy, stainless and swivable.
- Simultaneous brake on rear wheels in chromed steel - Equipment code AC7P1G.
- Chair's movements are controlled by handset with a 3,5 mtl coiled cable. The handset is user friendly and has visual pictograms useful for partially sighted people. Handset is equipped by 10 buttons with 2 memories.  
For patient's safety purpose the handset is provided with an inhibition key - Equipment code AC34P. Insulation IP66.
- Bilateral handset support - Equipment code AC25P.
- ABS base cover - Equipment code AC83.
- ABS seat cover - Equipment code AC84.
- Easily removable soft foam seat/leg cushions.
- Upholstery: with anti-bacterial properties, flame retardant class 11M, antimicrobial, ecologic, latex free, phtalate free. Resistant to: alcohol, sodium hypochlorite max 5%, a wide range of common used detergent, liquid and other biological fluids. - Equipment code AC87/1.

### Do you want to change the colour of the upholstery and frame?

Frame or click the QR codes and discover how to personalise your device by consulting our colour cards\*.

\*If no preference is expressed, the device will be delivered in the available colour.

**Upholstery**  
**Leatherette**

**Coating**  
**Silicon**

**Frame**



### Do you want to improve the device?

Scan the QR Code to find out all the available accessories listed on our catalogue.



## Technical sheet

CND/EMDN code	<b>V08020101</b>
GMDN Code	<b>38447</b>
N. progressive/R	<b>2436304/R</b>
UDI-DI di Base	<b>805771740POLPE</b>
ID Product	<b>GB0003.SP</b> Painted steel <b>GB0003.SS</b> Stainless
Inteded use	Multifunctional chair
Manufacturer	GARDHEN BILANCE SRL
Overall weight	70 kg
Wheels	No.4 ø 100 mm swivable and stainless with braking system
Power	100 - 240 Vac 50/60 Hz
Electric motors	Low voltage 24 (Volt)
Max electrical input	4A
Insulation	IP44
Max load	200 kg
Safety working load	235 kg

## Main cord



**Type F  
Schuko**



**Type L  
16A**



**Type I  
Australia**



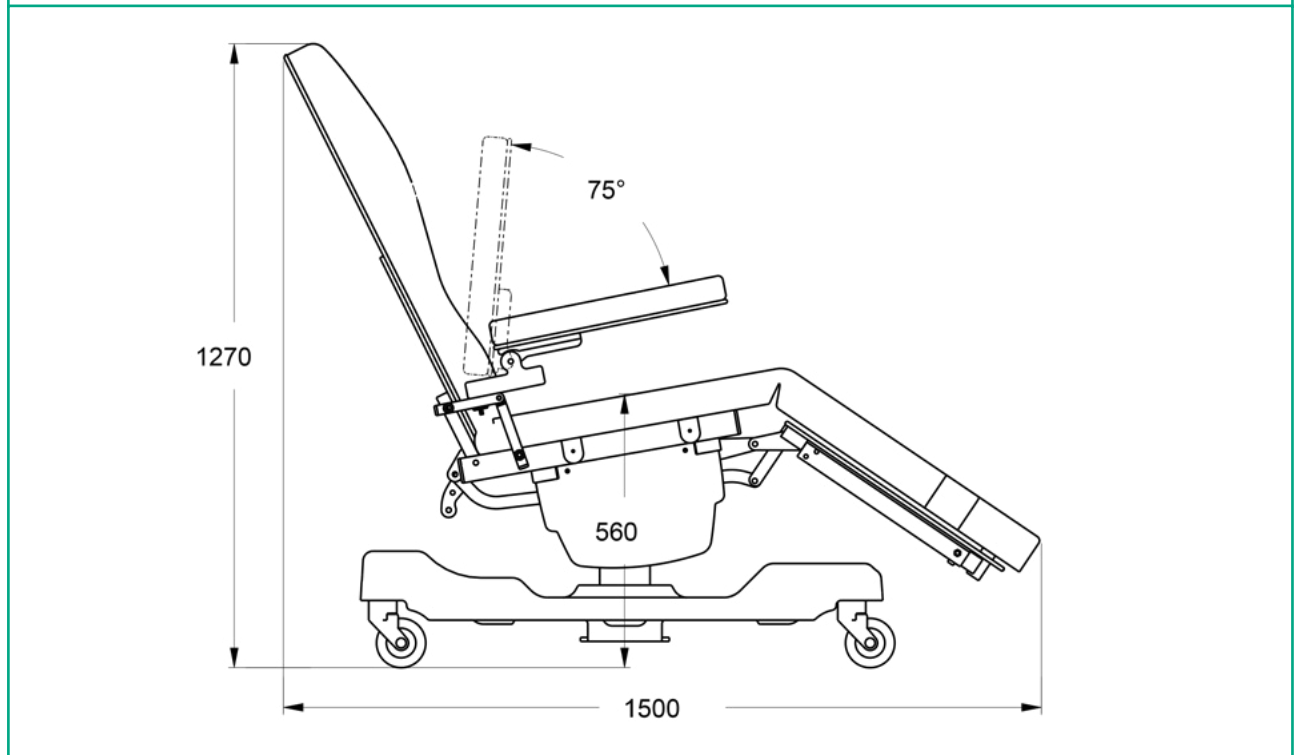
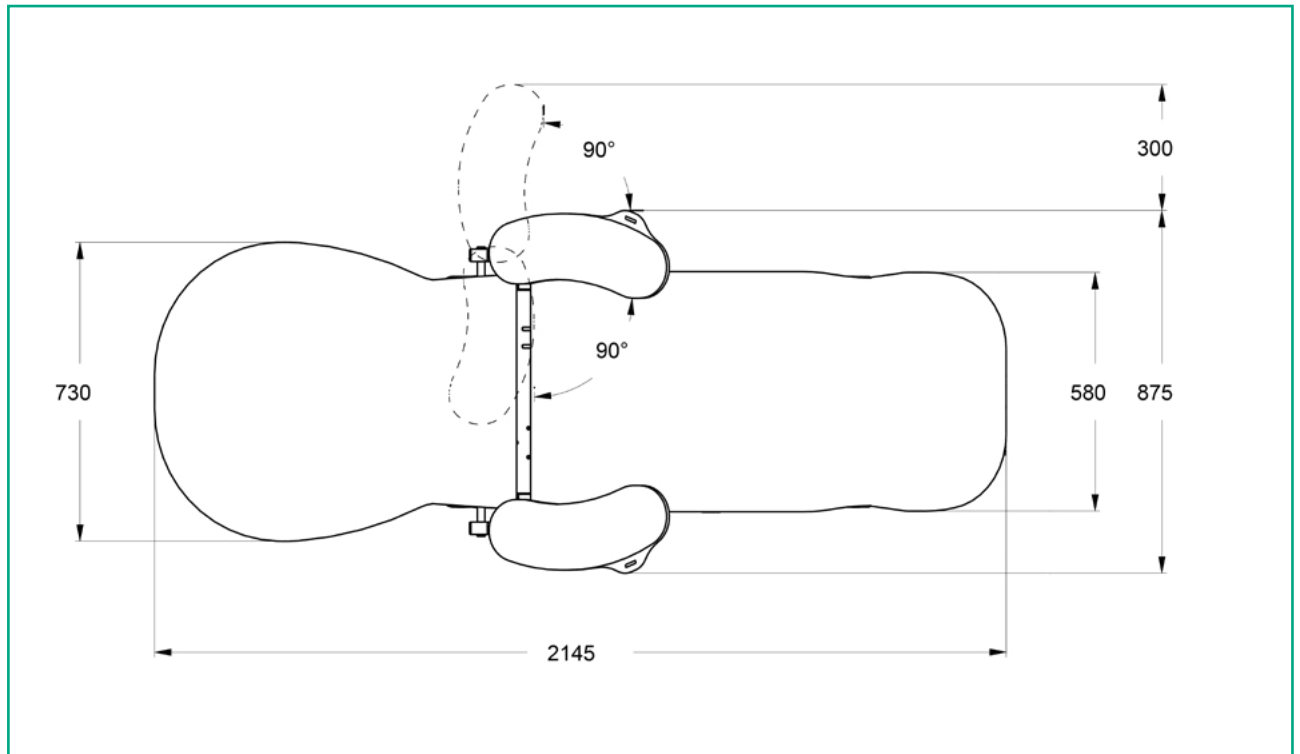
**Type B  
Canada and USA**



**Type G  
UK plug**



## Dimensions



[www.gardhenbalance.it](http://www.gardhenbalance.it)



### Gardhen Balance S.r.l.

Via G. Luraghi c/o Consorzio Il Sole - lotto S -  
80038 Pomigliano d'Arco (NA) - Italy  
Tel. +39.081.8692160 pbx - Fax +39.081.8692460  
E-mail: [info@gardhenbalance.it](mailto:info@gardhenbalance.it)  
PEC: [gardhenbalance@pec.it](mailto:gardhenbalance@pec.it)

Pictures contained in this brochure is for illustrative purpose only. The manufacturer reserves the right to modify the projects without notice. For accessories identification please refer to the accessory catalogue or commercial offer. When data are different please refer to commercial offer.

Dep. EN\_71 rev. 17/10/2024

