

Stephen H Easy

A device with exclusive "Long life" system



CHAIR

Frequent usage

Chemotherapy

Infusions therapy

Blood donor

Blood samples

Emergency

Dialysis

Multifunctional





10 BUTTONS HANDSET
WITH 2 MEMORY FUNCTION

Benefits

- The unique "Long life" system creates the adequate accumulation of energy needed for the daily use of the chair.
- Anti-tilt frame, it prevents any tilt in every operative conditions.
- The frame is painted with epoxy paints enriched with antibacterial. Available in a wide range of colours.
- Ergonomic and extremely comfortable surface.
- Padding in non-deformable polyurethane foam.
- Two separate cushions for back and seat/leg. The cushions are designed to be ergonomic and they help to prevent pressure ulcers.
- The leg section is made up of two integral and jointed parts. A fixed part and a part close to the floor. The latter, when overturned by 90 °, turns into a comfortable support for the feet. The opening and closing of this unique mechanism takes place as a result of a slight pressure with the foot, that can be easily performed by the nursing staff.
- The chair can be equipped with a wide range of accessories (please refer to the accessories catalogue).
- Leatherette upholstery with the following features: extremely resistant, antibacterial, flame retardant class 11M, antimycotic, It is also resistant to: alcohol, hydrogen peroxide, hypochlorite sodium max 5% and to commonly used disinfectants.
- Max load 140 kg.

Standard features

- Lying surface divided in 3 sections: backrest, seat and leg.
- Simultaneous movement of the back and the leg sections through 1 motor.
- Painted steel frame in thermosetting powder enriched with antibacterial. Available in a wide range of colours.
- Removable, rotating and height adjustable armrests made out of stainless steel.
- No. 4 wheels Ø 150 mm in stainless steel (2 rear wheels with centralized brake).
- Handles in PVC for easy transport - Equipment code AC56/1.
- Cable holder - Equipment code AC50P.
- Chair's movements are controlled by handset with a 3,5 mtl coiled cable. The handset is user friendly and has visual pictograms useful for partially sighted people. Handset is equipped by 10 buttons with 2 memories. For patient's safety purpose the handset is provided with an inhibition key - Equipment code AC34P. Insulation IP66.
- No. 2 battery box. The battery allows the chair to move even when it is not connected to the power grid. The batteries work for several cycles. Equipment code AC17P.
- Independent cushions
- Upholstery in flame retardant leatherette UNI 9175/87 e 9175FA-1/94 class 11M - Equipment code AC87/1.



Movements

BACKREST SECTION 76°
LEG SECTION 95°



RECLINER POSITION



TRENDELENBURG -10°



REMOVABLE, ROTATING AND HEIGHT
ADJUSTABLE ARMRESTS MADE OUT OF
STAINLESS STEEL





OPENING AND CLOSING OF THE RETRACTABLE FOOTREST

Colour chart



FRAME COLOURS

The entire structure of the chair is protected by epoxy and thermosetting paints. The paints are enriched with antibacterial upon request. Wether not specified the frame of the device will be painted in white 9010.

Code 2004	Code 5012	Code 7035
Code 3020	Code 6027	Code 9005
Code 1018	Code 6018	Code 9010
Code 1021	Code 7001	Code 4010
Code 5010	Code 9006	

COLOURS FOR STANDARD UPHOLSTERY

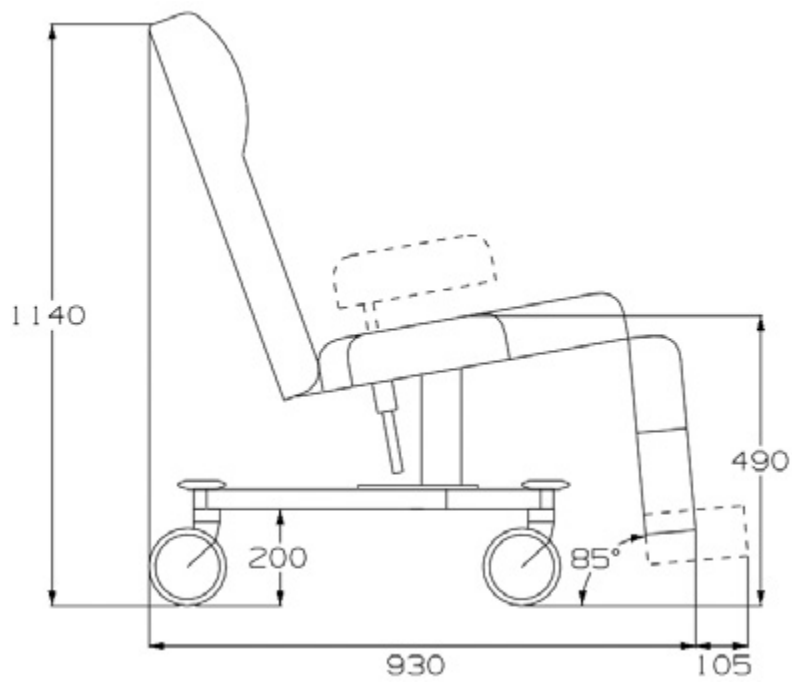
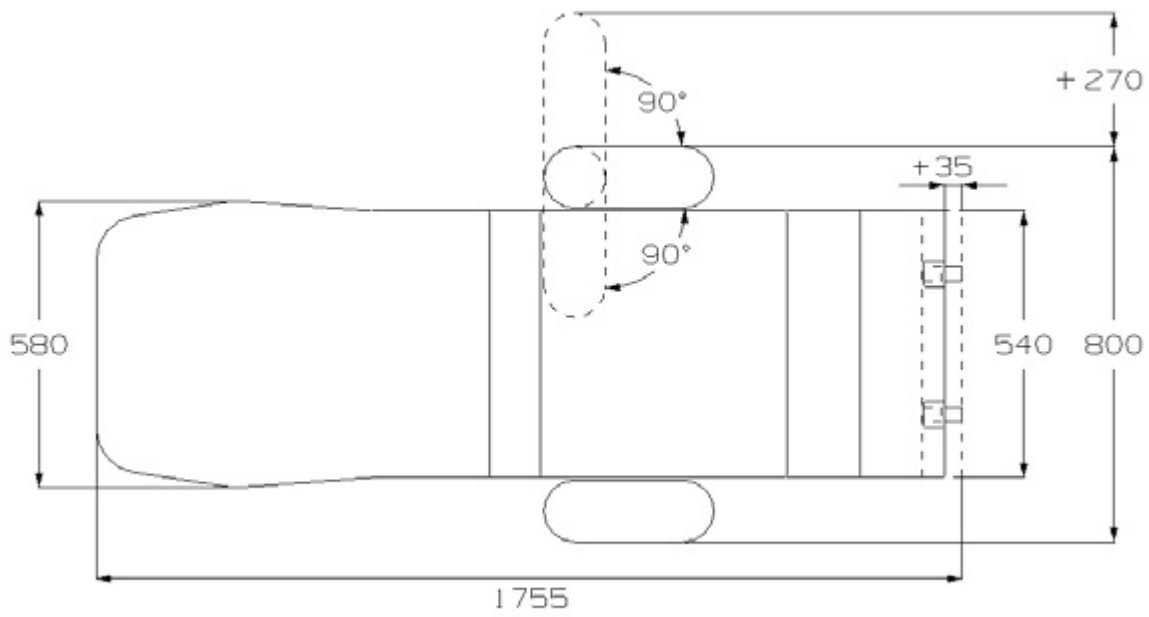
Code 5947	Code 0872	Code 0014
Code 5948	Code 4947	Code 0027
Code 0680	Code 1944	Code 0006
Code 0508	Code 4008	Code 0346
Code 0041	Code 1946	Code 016043
Code 0064	Code 4933	Code 011499
Code 0055	Code 0430	Code 015815
Code 1816	Code 0151	Code 015814
Code 0833	Code 0667	Code 016042

COLOURS FOR SILICONIC UPHOLSTERY (THEY HAVE A HIGHER PRICE) ACCESSORY CODE AC87

Code 7039.08	Code 7039.14	Code TH.439
Code 7039.06	Code TH.513	Code TH.438
Code 7039.17	Code TH.511	Code TH.322
Code 7039.20	Code TH.305	Code TH.224
Code 7039.10	Code TH.378	Code 312
Code 7039.19	Code TH.300	Code TH.226
Code 7039.13	Code TH.510	



Dimensions



MAIN CORD



Type F - Schuko



Type L - 16A



Type I - Australia

Type B - Canada
and USA

Type G - UK plug

Technical sheet



GMDN Code	38488
ID Code	GB0007.SP
Intended use	Multifunctional chair
Manufacturer	GARDHEN BILANCE SRL
Overall weight	60 kg
Wheels	No. 4 Ø 150 mm two of them with centralized brake
Power	100 - 240 Vac 50/60 Hz
Electric motors	Low voltage (24 V)
Max electrical input	4A
Insulation	IP44
Max load	140 kg
Safety working load	175 kg
Backrest angle	76°
Leg angle	95°

For certifications please refer to "Certifications and Quality system" section

Pictures contained in this brochure is for illustrative purpose only. The manufacturer reserves the right to modify the projects without notice. For accessories identification please refer to the accessory catalogue or commercial offer. When data are different please refer to commercial offer.

Dep. EN_76 rev. 06/12/2021

