

Stephen H Comfort 5.0

Designed and optimized for minor surgery procedures



CHAIR

Frequent usage

Day Hospital

Emergency

Patient's transport

Minor surgery

Dermatology / Cosmetics

Multifunctional



EASY ACCESS FOR THE PATIENT



"SURGIMOVE" SURGEON STOOL

Chair with an exclusive target



The Stephen H Comfort 5.0 chair is designed to ensure adequate comfort for patients of all sizes, during surgery and medium and long-term therapies. Thanks to the interchangeability system of the headrests and the numerous accessories available, this medical device is particularly suitable for minor surgery interventions.

Through the motorized adjustments, (variable height through column, simultaneous and / or independent adjustment of the leg section and backrest, seat inclination adjustment / trendelenburg or shock-position). It adapts to the needs of the surgeon by facilitating the accommodation process of the patient even in emergency situations (CPR).



CHAIR WITH SURGERY TABLE FEATURES





High profile performances ensure perfect assistance to the surgeon

This medical device is designed to be used by highly specialized personnel in order to carry out numerous surgical and micro-surgery procedures.

This device ensures a high level of comfort for both patient and surgeon, thanks to: the articulated plan, the particular shape and size of the backrest and the height adjustment of the top. All the available positions ensures a perfect ergonomics. In order to better assist the surgeon during the interventions the chair can be combined with one of the available technical seats (e.g. Surgimove surgeon stool).



THE DEVICE IS PERFECTLY SUITABLE ALSO FOR PATIENT'S TRANSPORT





AN EASY AND INNOVATIVE SYSTEM, STANDARD HEADREST WITH MAGNETIC COUPLING AND EASILY REMOVABLE GUIDE

Innovative headrest system



The headrest can be stabilized through kinematics (2D and 3D), joints and micro-adjustments, in order to obtain the optimal posture according to type of intervention, patient's size and surgical approach. The innovative "headrest system" allows the user to change the headrest according to its needs. A range of 8 head supports is available indeed (description below). The head supports can be easily removed and changed thanks to the quick magnetic coupling mechanism. Compatible with many minor surgery procedures (ophthalmic, maxillofacial, aesthetic, etc.). The round padded headrest is intended to be the standard one.

QUICK HEADREST ADJUSTMENT SYSTEM



Every headrest is: interchangeable, tiltable, removable and height adjustable.

Wide range of headrest



A wide range of "headrest" allows optimal accommodation of the head and neck, useful for lots of surgical procedures. In the field of surgery and micro-surgery, the need may arise, depending on the type of operation, to replace the headrest. For this purpose, the surgeon can then choose, on a case-by-case basis, the headrest best suited to the interventional needs.

OCCIPITAL SHAPED HEADREST



Code ACS1 - adult
Code ACS1P - child

ERGONOMIC "X" HEADREST



Code ACS3 - adult
Code ACS3P - child

NUCHAL SHAPED HEADREST



Code ACS2 - adult
Code ACS2P - child

HEAD SECTION WITH NUCHAL HOLE



Poggiatesta codice ACS4/1: cinematico 3D; regolazione bilaterale +/- 15°; rotazione longitudinale 180°; regolazione in altezza e foro nucale con inserto asportabile.



Benefits

- Low voltage electric motors.
- A wide range of headrests can be coupled with the chair. One among the list at page 6 is included in the standard configuration. The others can be bought separately.
- Every headrest is independent, removable, extremely stable, adjustable in height and tiltable (code ACS4/1 has a bilateral tilting feature).
- Seamless upholstery allows a thorough and complete sanitization through the most common used detergent. It also prevents cross infections.
- Lying surface composed by soft foam cushions (one seat/leg cushion). Decubitous prevention is ensured by the anatomical shape.
- Upholstery: with anti-bacterial properties, flame retardant class 11M, antimicrobial, ecologic, latex free, phthalate free. Resistant to: alcohol, sodium hypochlorite max 5%, a wide range of common used detergent, liquid and other biological fluids.
- Anti-tilting frame in any operational condition.
- Centralized braking system. The directional system ensures a high stability to the device.
- Transport handle: handles located on the back of the chair and transport knobs located on the leg section, allow the device can be easily moved.
- Max load capacity 200 kg.
- Available also in bariatric version.



**NO.2 BATTERIES 4,5A.
EASILY REMOVABLE
WITH CHARGER INCLUDED
(EQUIPMENT CODE AC17P/A)**



Armrest's movement



**SYNCHRONIZED WITH
THE BACKREST**



ROTATION



ADJUSTABLE HEIGHT



DETACHABLE ARMREST:



OVERTURNABLE



TILTABLE



13 BUTTONS HANDSET
WITH 3 MEMORY FUNCTION



HEIGHT ADJUSTMENT THROUGH
MOTORIZED COLUMN

Standard features

- 4 sections lying surface (headrest, backrest, seat and leg).
- Through no. 2 dedicated motors it is possible to independently and simultaneously adjust back and the leg sections - Equipment code AC12.
- Through a motorized columns it is possible to adjust the height of the chair - Equipment code AC28/200.
- Through a dedicated motor it is possible to adjust the inclination of the seat - Equipment codes AC35/1 - AC35/2.
- Trendelenburg position 10° (shock position in alternative).
- The movements of the armrest is synchronized with the backrest. They can be turned and tilted and are adjustable in height. The armrests are revolving at 90°, they features an up/down function (equipment code AC30/C1). Micrometrically adjustable exclusive multifunctional armrest for peripheral venous catheter.
- Flame retardant leatherette UNI9175/87 and 9175FA-1/94 class 11M, colours can be choosed among a wide range.
- Cushions made in soft foam.
- Frame in painted steel with termosetting and antibacterial powder, available in a wide range of colours.
- ABS base cover - Codice dotazione AC83/C.
- ABS seat cover - Codice dotazione AC84/C.
- ABS legrest cover - Codice dotazione AC85/C.
- ABS backrest cover - Codice dotazione AC86/C.
- No.4 wheels. Antistatic, stainless, swivable Ø 100 mm.
- Centralized braking system. The directional system ensures a high stability to teh device (equipment code AC7P2/G).
- Handset (coiled cable 3.5m) to activate movements, reachable by the patient. The device can be adjusted also through pedal controls. For patient's safety purpose the handset is provided with an inhibition key, equipment code AC34P.
- Transport handle: handles located on the back of the chair (equiptent code AC56/1). Transport knobs located on the leg section. Thanks to these features the device can be easily moved forward or backward.
- Power supply through 4.5Ah interchangeable battery (no. 2 provided as standard) with charger included (equipment code AC17P/A).
- Bilateral handset support - Equipment code AC25P.



Would you like to customize upholstery or frame?

Scan or click the QR code and discover how to customize the device consulting our colour chart.



Movements

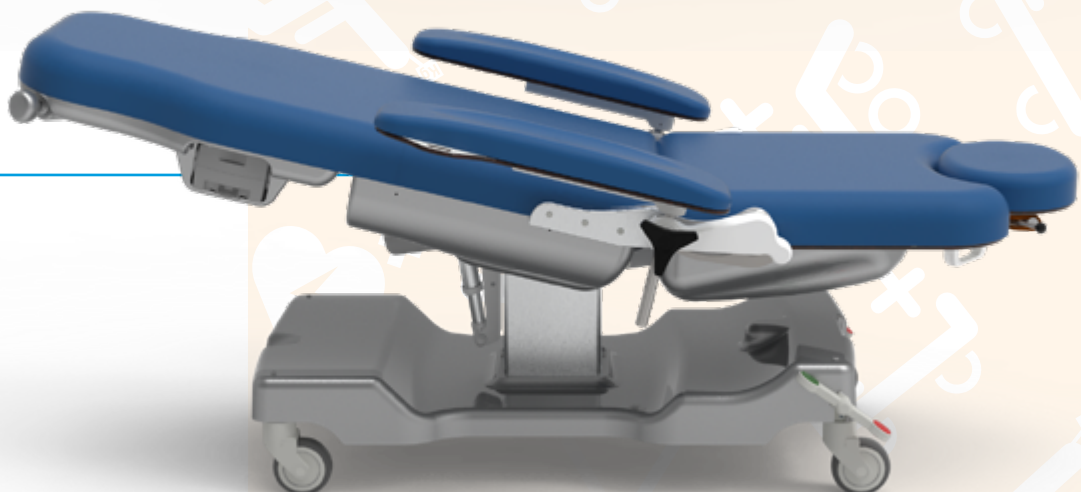
RECLINER POSITION



CLINOSTATISM LYING SURFACE
IN FOUR SECTIONS WITH
TRIPLE ARTICULATION



SHOCK POSITION



Recommended accessories



ACS1



Occipital shaped headrest. Available also in paediatric version ACS1P.

ACS2



Nuchal shaped headrest. Available also in paediatric version ACS2P.

ACS3



"X" headrest. Available also in paediatric version ACS3P.

ACS4/1



Headrest with nuchal hole.

AC6P/2



Foot controls for Trendelenburg adjustment located on the frame.

AC6P/3



Foot controls for synchronized backrest and leg adjustment for entry/exit position located on the frame.



Recommended accessories



AC6P/4



Foot controls for seat angle adjustment that located the frame. Configurable with AC35

AC6P/5



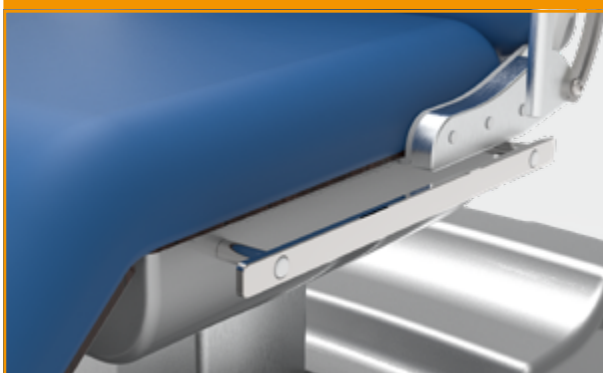
Comandi a pedale per regolazione altezza variabile posizionabili sul telaio. Configurabile con AC28.

AC6P/4



Foot controls for backrest adjustment located on the frame

AC134



Bilateral DIN bar located on the seat and on the backrest. The bars allows the installation of many kind of accessories.

ACS8

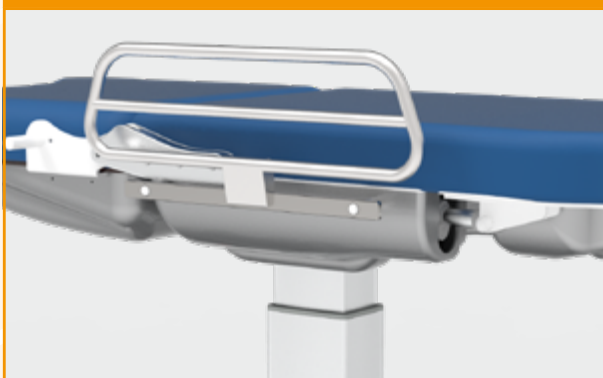


Armrest support on DIN bar for hand surgery. It is available with 2 clamps for the fitting on the DIN bar. Resistant, lightweight, radiotransparent and easy to use. Upholstery made out with water repellent and non toxic material.

Recommended accessories

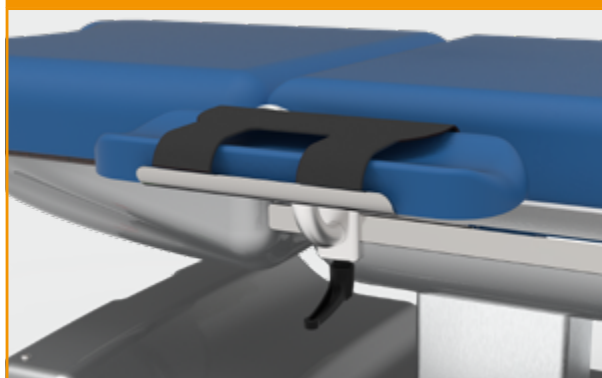


ACS7



Coppia sponde laterali su barra DIN inox. Sponde laterali leggere, regolabili, lavabili ribaltabili e facilmente rimovibili.

ACS9



Support on DIN bar with band for immobilize the arm.

ACS10



Arch support designed to ensure the proper support to the elbows of the user during the intervention. It follows the movement of the headrest and can be adjusted according to user's needs.

ACS14



Multifunctional armrest on DIN bar. Adjustable in height, tiltable, swivable and easy to remove. It is an alternative to the standard armrest.

ACS15



Control panel support. It can be located on both sides on the DIN bars. It is flexible and can be adjusted according to user's needs.

ACS16



Flexible support for tent on DIN bar. Available with two clamps. It is used during interventions in operating room to cover and protect the patient.

Recommended accessories

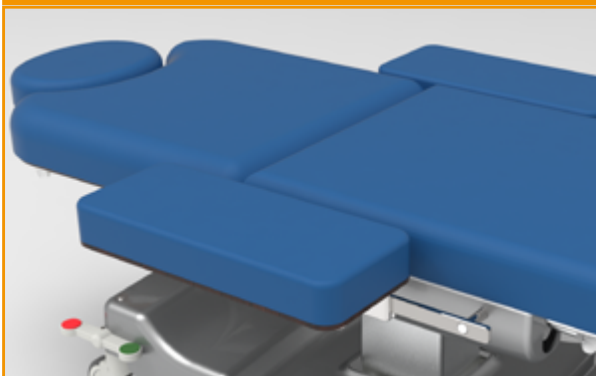


ACS19



Safety belt on DIN bar. It can be adjusted according to patient's size.

ACS20



Width increase support on DIN bar. It allows to expand the surface of the operating plan to facilitate the procedures that requires a lateral positioning of the patient.

ACS25



DIN clamp in stainless steel, universal, with radial joint. It can be used to fit the accessories described in this section. It can be activated through a single knob.

ACS27



One padded cushion for table top.

ACS30



Oxygen tank holder with a max. Load capacity of 5kg.

ACS33



IV pole in stainless steel. Adjustable and provided with 2 or 4 hooks. It can be fitted on the DIN bar.

Recommended accessories



ACS34



Headrests trolley holder.

ACS35



Accessories holder trolley supplied with DIN bar.

ACS37



Hairband compatible with ACS4/1.

ACS38



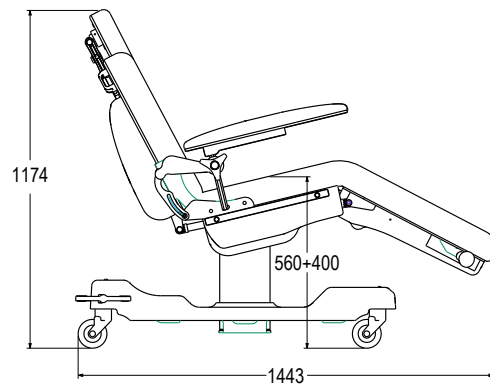
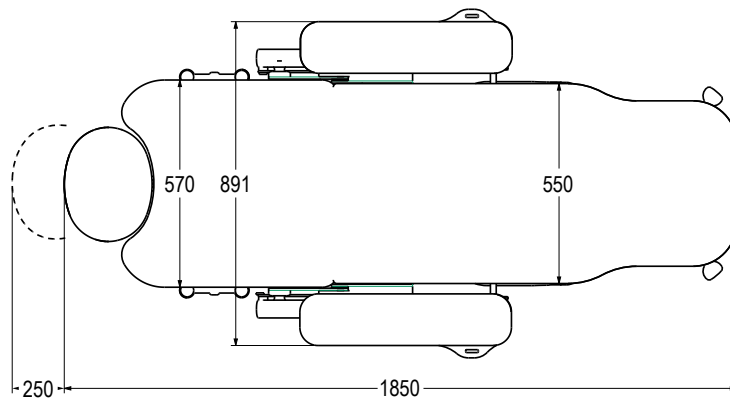
Chinrest compatible with ACS4/1 headrest.



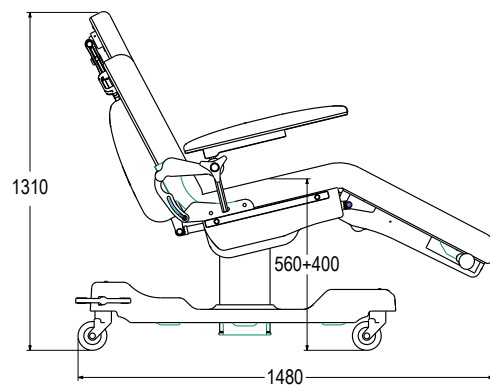
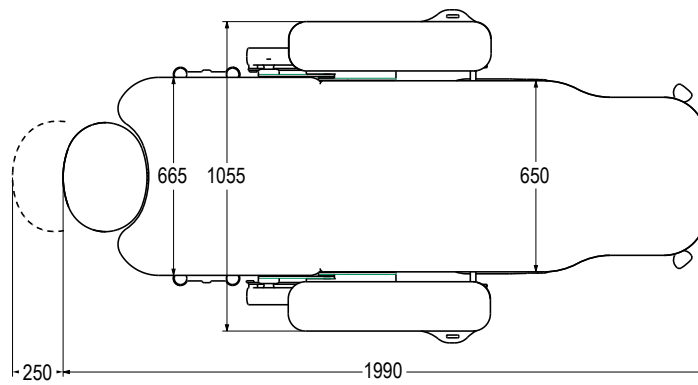
Dimensions



Standard version



Bariatric version



MAIN CORD



Type F - Schuko



Type L - 16A



Type I - Australia

Type B - Canada
and USA

Type G - UK plug

Technical sheet



GMDN Code	38447
ID Code	GB0004.BP-5 Painted steel GB0004.SP-5 Painted steel
Inteded use	Multifunctional chair for minor surgery
Manufacturer	GARDHEN BILANCE SRL
Overall weight	Standard 70 kg / Bariatric 100 kg
Wheels	No.4 Ø 100 mm swivable and stainless with braking system
Power	100 - 240 Vac 50/60 Hz
Electric motors	Low voltage 24 (Volt)
Max electrical input	4A
Insulation	IP44
Max load	Standard 200 kg / Bariatric 300 kg
Safety working load	Standard 235 kg / Bariatric 335 kg
Backrest angle	76° (customizable upon request)
Leg angle	45° (customizable upon request)

For certifications please refer to "Certifications and Quality system" section

Pictures contained in this brochure is for illustrative purpose only. The manufacturer reserves the right to modify the projects without notice. For accessories identification please refer to the accessory catalogue or commercial offer. When data are different please refer to commercial offer.

Dep. EN_172 rev. 06/07/2022

