

Stephen H Comfort 4.0

Multifunctional chair



SEATING

Frequent Usage

Chemotherapy
Infusion therapy
Day Hospital
Blood Donation
Blood Sample
Emergency Room
Dialysis
Patient transport
Dermatology/
Cosmetics
Multifunctional



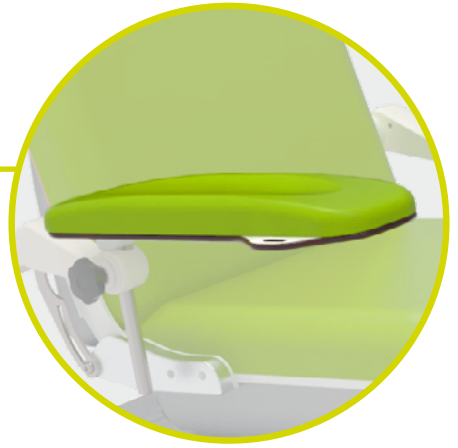
version with
motorized column

High
COMFORT

Inpatient and outpatient therapy



www.gardhenbalance.it



Multi-adjustable ergonomic armrests with hand control support.



Wheels with braking system activated by bilateral levers.

Base-protecting covers made of ABS, with smooth surface and easily sanitized.





Multi-adjustable armrests

Armrests ergonomic armrests equipped with special manual multiple adjustment mechanism for positioning in multiple directions. In addition, the support placed bilaterally on the armrests (equipment code AC25P) allows convenient storage of the hand control when not in use.



Synchronized with the backrest



Swivable



Height adjustable



Removable



Tiltable



Overturnable



Movements

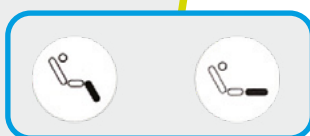
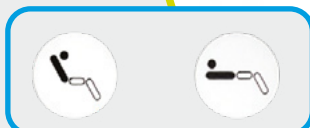
Independent back and leg sections

Independent movements of the back and leg sections are controlled by dedicated buttons on the hand control.



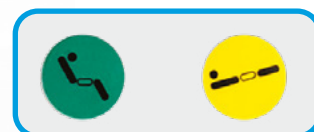
Activation by

Handset



Simultaneous movements

of the back and leg sections are controlled thanks to memory buttons on the handset.



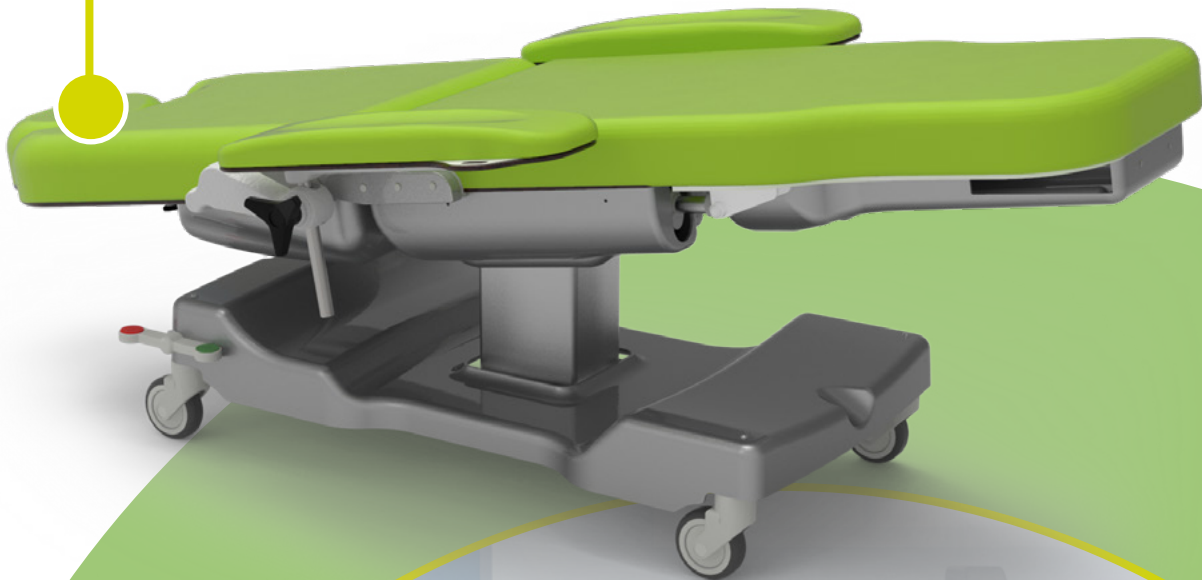
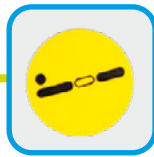


Movements Trendelenburg

The Trendelenburg position can be obtained at the dedicated button on the hand control.

Activation by

Handset



Clinostatic position

Movement achievable with motorized seating (accessory)





Other features of the medical device

- Thermoset powder coated steel frame.
- Top divided into 4 sections: headrest, backrest, seat and legs.
- Simultaneous and independent movement of backrest and leg sections by 2 motors - equipment code AC12.
- Trendelenburg position.
- Armrests integral to the backrest movement, with swivel function, tiltable up/down, 90° tilt and height adjustment; (see accessories catalog for other armrest type).
- No. 4 durable, antistatic, stainless, swivel wheels Ø 100 mm.
- Extremely stable headrest, removable and height adjustable to 5 positions.
- Simultaneous brake galvanized steel rear wheels - Equipment code AC7P1G.
- All chair movements are controlled by a perimeter hand control equipped with a 3.5 m coiled cable. The hand control is easy to use as it is made with large raised pictograms and is also suitable for visually impaired patients. The hand control is equipped with 10 keys with 2 memories. For patient safety, the hand control is equipped with a key for control inhibition - Equipment code AC34P. IP66 insulation.
- Double-sided push-button panel support - Equipment code AC25P.
- ABS cover for base - Equipment code AC83.
- ABS seat cover - Equipment code AC84C.
- ABS cover for leg rest - Equipment code AC85C.
- ABS backrest cover - Equipment code AC86C.
- Cushions made of soft foam.
- Fire-retardant leatherette upholstery UNI 9175/87 and 9175FA-1/94 class 11M - Equipment code AC87/1.

Do you want to change the color of the upholstery and frame?

Frame or click the QR codes and find out how to customize your device by browsing our color cards*.

*If no preference is expressed, the device will be supplied with the available color.

Upholstery
Leatherette

Upholstery
Silicon

Frame



Do you want to improve the device?

Frame the QR code and discover all the accessories available by browsing the catalog.



Technical Sheet

CND/EMDN Code	V08020101
GMDN Code	38447
No. progressive/R	2234628/R
UDI-DI di Base	805771740POLPE
ID Product	GB0004.BP-4 Painted steel GB0004.SP-4 Painted steel
Intended Use	Multifunctional chair
Manufacturer	GARDHEN BILANCE SRL
Total weight	Standard 70 kg / Bariatric 100 kg
Wheels	No. 4 stainless swiveling 100 mm with braking system
Power	100 - 240 Vac 50/60 Hz
Electric motors	Low voltage (24 V)
Max absorption	4A
Insulation	IP44
Max load capacity	Standard 200 kg / Bariatric 300 kg
Safety working load	Standard 235 kg / Bariatric 335 kg

Main cord



Type F
Schuko



Type L
16A



Type I
Australia



Type B
Canada and USA

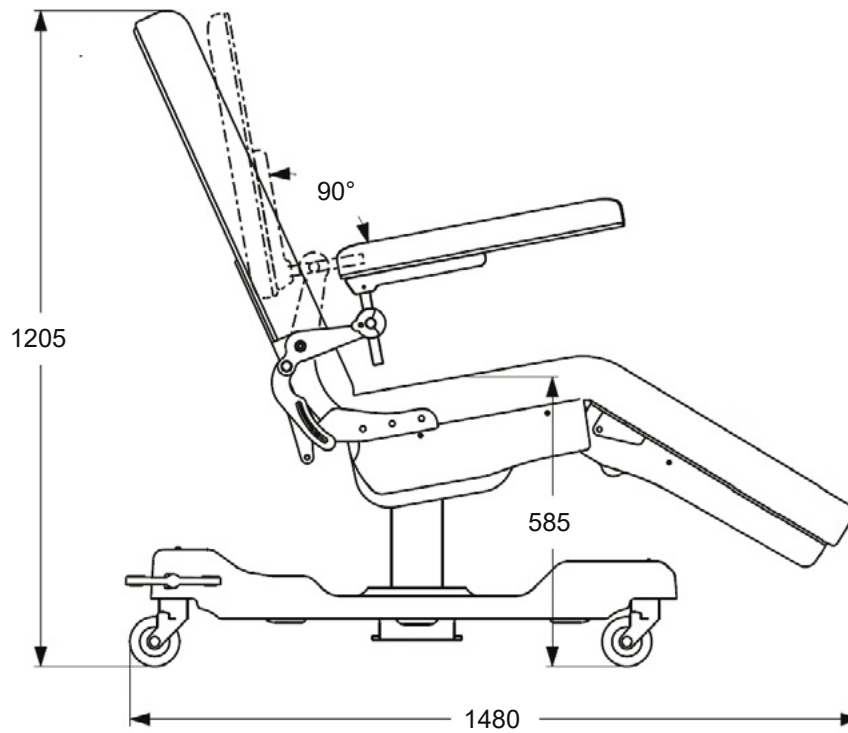
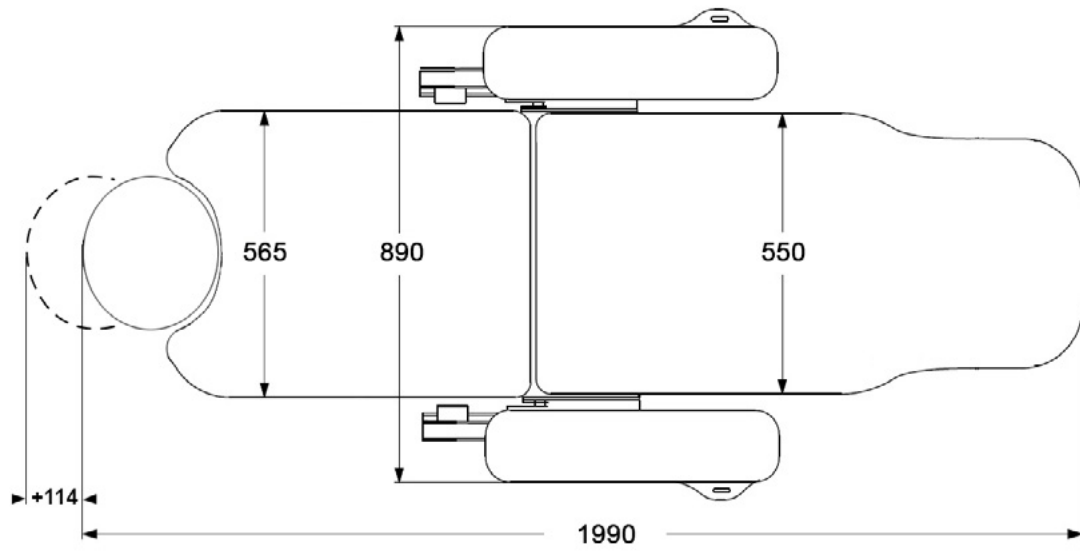


Type G
UK plug



Dimensions

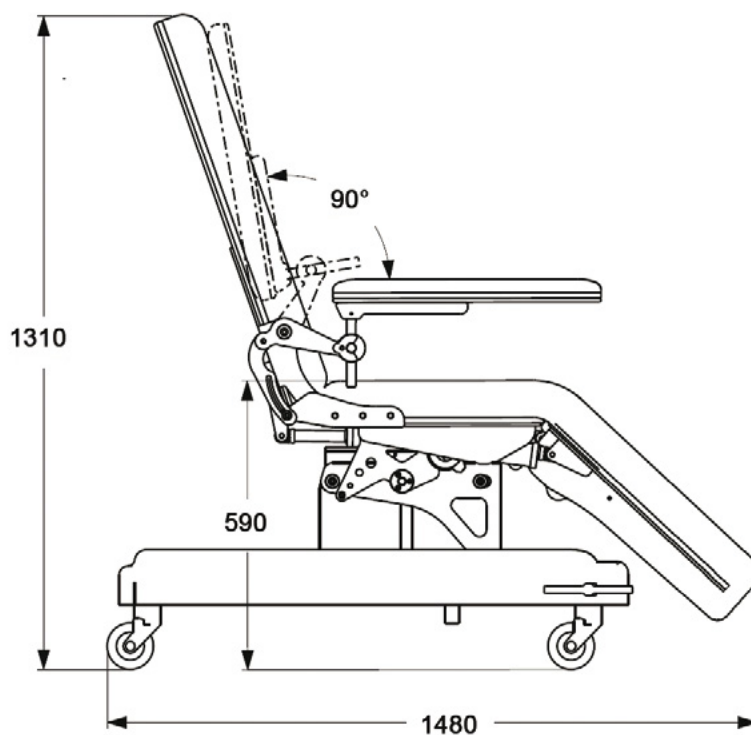
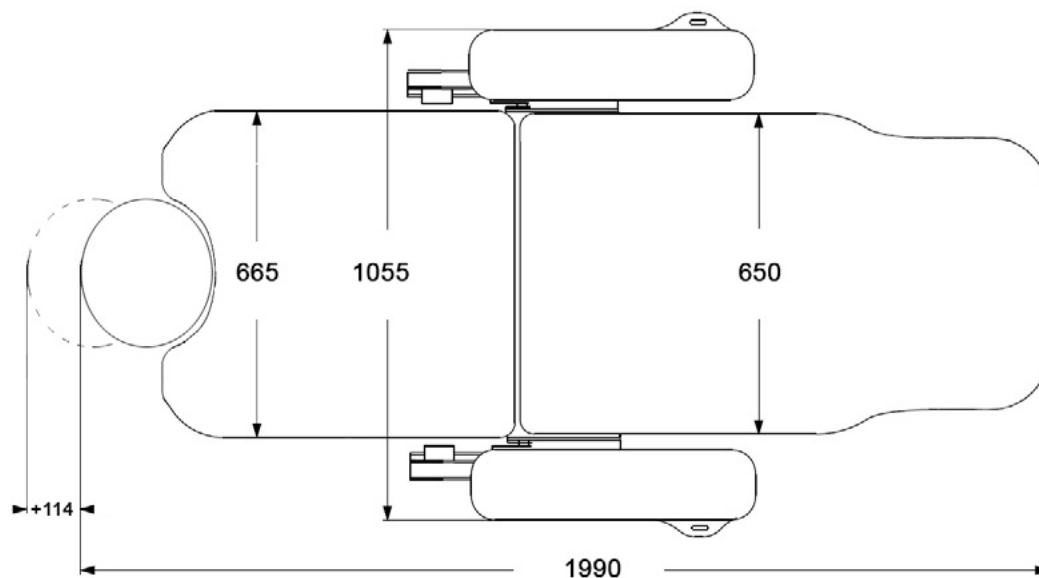
STANDARD VERSION





Dimensions

BARIATRIC VERSION



www.gardhenbalance.it



Gardhen Balance

Via G. Luraghi c/o Consorzio Il Sole - lotto S -
 80038 Pomigliano d'Arco (NA) - Italy
 Tel. +39.081.8692160 pbx - Fax +39.081.8692460
 E-mail: info@gardhenbalance.it
 PEC: gardhenbalance@pec.it

Images reproduced in this sheet are purely indicative and dimensional values are nominal. It is the manufacturer's right to make changes to designs without prior notice. Refer to the accessories catalog and/or commercial proposals for identification of standard equipment and selection of any additional components. In case of discrepant data, the content of the commercial proposals shall prevail.
 Dep. EN_149 rev. 17/05/2024

