

Stephen H Anatomical

90° legrest and retractable footrest



CHAIR

Frequent usage

Chemotherapy

Infusions Therapy

Day Hospital

Blood donor

Blood samples

Emergency

Dialysis

Patient's transport

Dermatology / Cosmetics

Multifunctional





ARMREST'S MOVEMENT IS SYNCHRONIZED WITH THE BACKREST

Benefits



- Anti-tilt frame, it prevents any tilt in every operative conditions.
- Frame painted with epoxy paints enriched with antibacterial. Available in a wide range of colours.
- Simultaneous an independent movement of back and leg section through 3 motors;
- Three separate cushions for back, seat and leg functional for a perfect ergonomy and posture preventing decubitus wounds.
- The upholstery is completely removable allowing a thorough and effective sanitization reducing the risks of cross infections. A wide range of colours is available
- Upholstery's features: antibacterial, flame retardant class 11M, antimycotic, ecologic, latex free, phtalate free and resistant.
- The movement of the armrests is synchronized with the backrest.
- The chair can be set with a wide range of accessories (see accesories' catalogue).
- Excellent and ergonomic posture with decubitus wound preventive effect.
- Braking system ensures high stability to the device.
- Easily sanitizable with the most common used detergents.
- Armrest with multiple adjustment functions.
- Max load capacity 200 kg.



THE CUSHIONS ARE FULLY REMOVABLE ALLOWING AN EASY SANITIZATION OF THE DEVICE. SURFACE IN NON-POROUS HPL PANELS.

Standard features

- Leg section: 90°/180° relating to the floor with retractable footrest- Equipment code AC174.
- Simultaneous and independent movement of the back section and the leg section through 2 motors - Equipment code AC12.
- 15° Trendelenburg position (shock position as alternative) - Equipment code AC35/1.
- Painted steel frame in thermosetting powder.
- Lying surface divided in 4 sections (headrest, backrest, seat and leg).
- Headrest joint to the backrest.
- No. 4 wheels Ø 100 mm antistatic, sturdy, stainless and swivable.
- Simultaneous brake on rear wheels in chromed steel - Equipment code AC7P1G.
- Armrest's movements synchronized with the backrest. The armrests are completely removable and can be rotate, tilted and overturned at 90°, adjustable in height ; (please refer to the accessories catalogue for other version of armrests). - Codice dotazione AC30/C1.
- Chair's movements are controlled by handset with a 3,5 mtl coiled cable. The handset is user friendly and has visual pictograms useful for partially sighted people. Handset is equipped by 10 buttons with 2 memories. For patient's safety purpose the handset is provided with an inhibition key - Equipment code AC34P. Insulation IP66.
- Bilateral handset support - Equipment code AC25P.
- Easily removable soft foam independent cushions.
- Side panels couple - Equipment code AC49
- Upholstery in flame retardant leatherette UNI 9175/87 e 9175FA-1/94 class 11M - Equipment code AC87/1.



10 BUTTONS HANDSET WITH 2 MEMORY FUNCTIONS



LEG SECTION: 90°/180° RELATING TO THE FLOOR WITH RETRACTABLE FOOTREST- EQUIPMENT CODE AC174

Armrest's movements



SYNCHRONIZED WITH THE BACKREST



COMPLETELY REMOVABLE



ROTATE



TILTABLE



OVERTURNED AT 90°



ADJUSTABLE IN HEIGHT



Movements



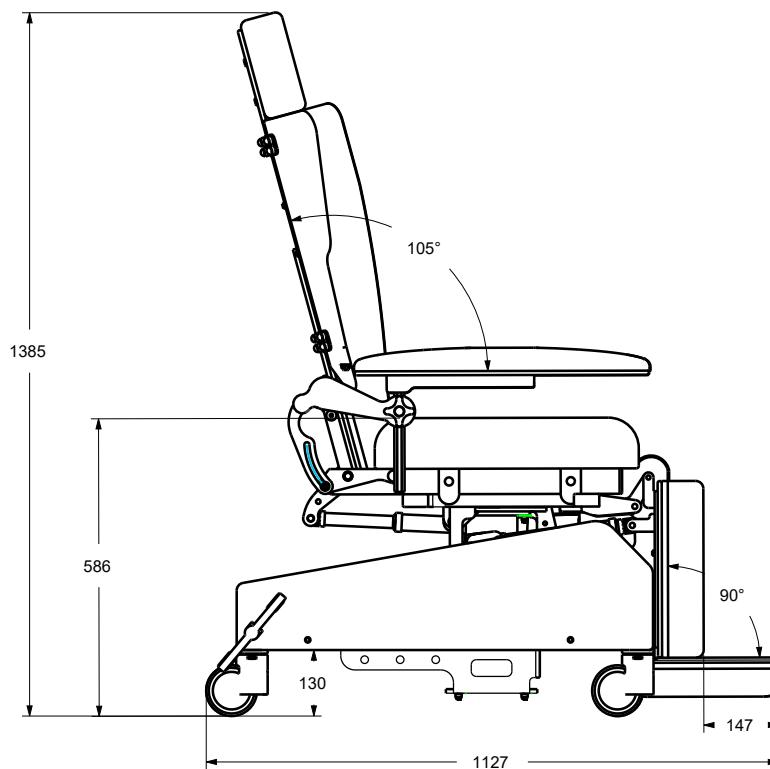
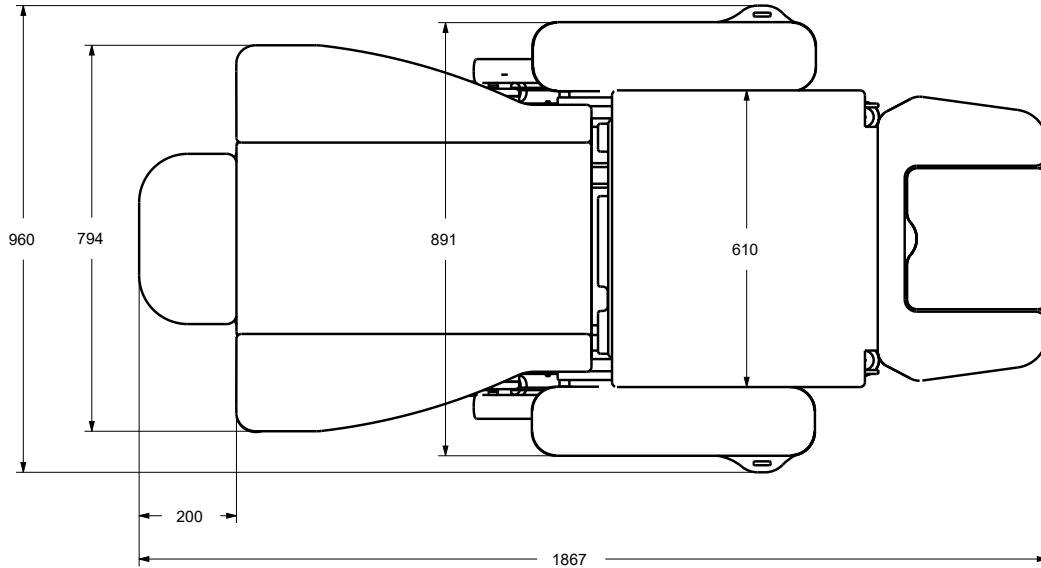
SIMULTANEOUS AND INDEPENDENT
MOVEMENT OF THE BACK SECTION
AND THE LEG SECTION THROUGH 2 MOTORS
EQUIPMENT CODE AC12.



15° TRENDLENBURG POSITION (SHOCK
POSITION AS ALTERNATIVE)
EQUIPMENT CODE AC35/1.



Dimensions



Would you improve this device?

Scan the QR code to find out all the available accessories on the catalogue.



MAIN CORD



Type F - Schuko



Type L - 16A



Type I - Australia

Type B - Canada
and USA

Type G - UK plug

Technical sheet



GMDN Code	38447
Inteded use	Multifunctional chair
Manufacturer	GARDHEN BILANCE SRL
Overall weight	60 kg
Wheels	No.4 Ø 100 mm swivable and stainless with braking system
Power	100 - 240 Vac 50/60 Hz
Electric motors	Low voltage (24 V)
Max electrical input	4A
Insulation	IP44
Max load	200 kg
Safety working load	235 kg
Backrest angle	76° (customizable upon request)
Leg angle	90°

For certifications please refer to "Certifications and Quality system" section

Pictures contained in this brochure is for illustrative purpose only. The manufacturer reserves the right to modify the projects without notice. For accessories identification please refer to the accessory catalogue or commercial offer. When data are different please refer to commercial offer.

Dep. EN_208 rev. 20/06/2022

