

Physio

Electric physiotherapy and massage bed with variable height



BEDS

Frequent use

Physiotherapy
Rehabilitation
Diagnostics

**DOUBLE
BACKREST**

VERSION WITH ACCESSORIES
• Roll holder
• Facial hole

**VERSATILE &
SAFE**

professional support for medical treatments



www.gardhenbalance.it



VERSATILE & SAFE

The bed for physiotherapy and massage is extremely versatile thanks to the adjustment of the two backrests.

- **low backrest**, adjustable in positive and negative, on request it can be equipped with a facial hole.
- **high back** to assume the sitting position

The various configuration possibilities guarantee maximum comfort for the patient during the visit or other medical procedures.

BACKREST

Adjustable to make any position

LOW BACKREST

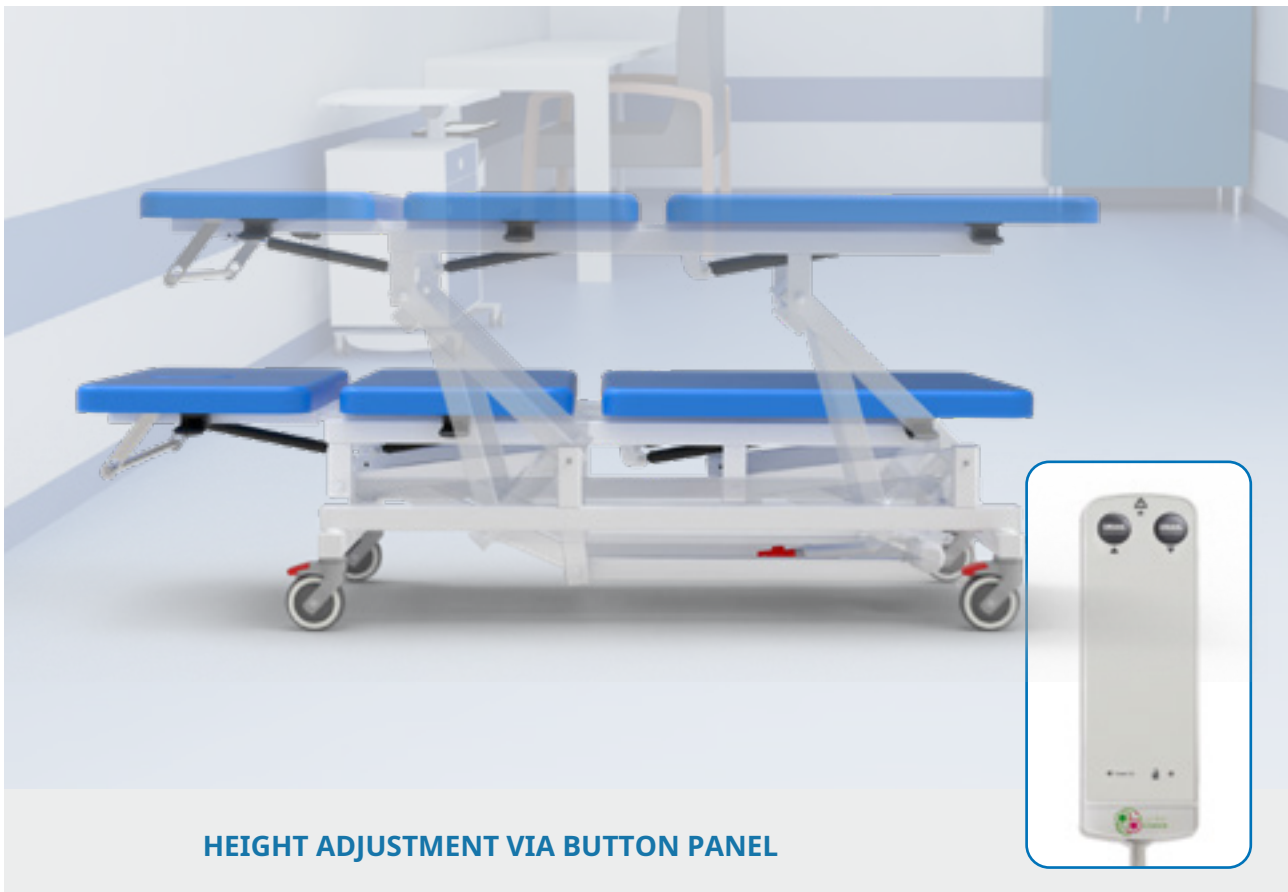
Adjustable to optimize the patient posture.

BACKREST

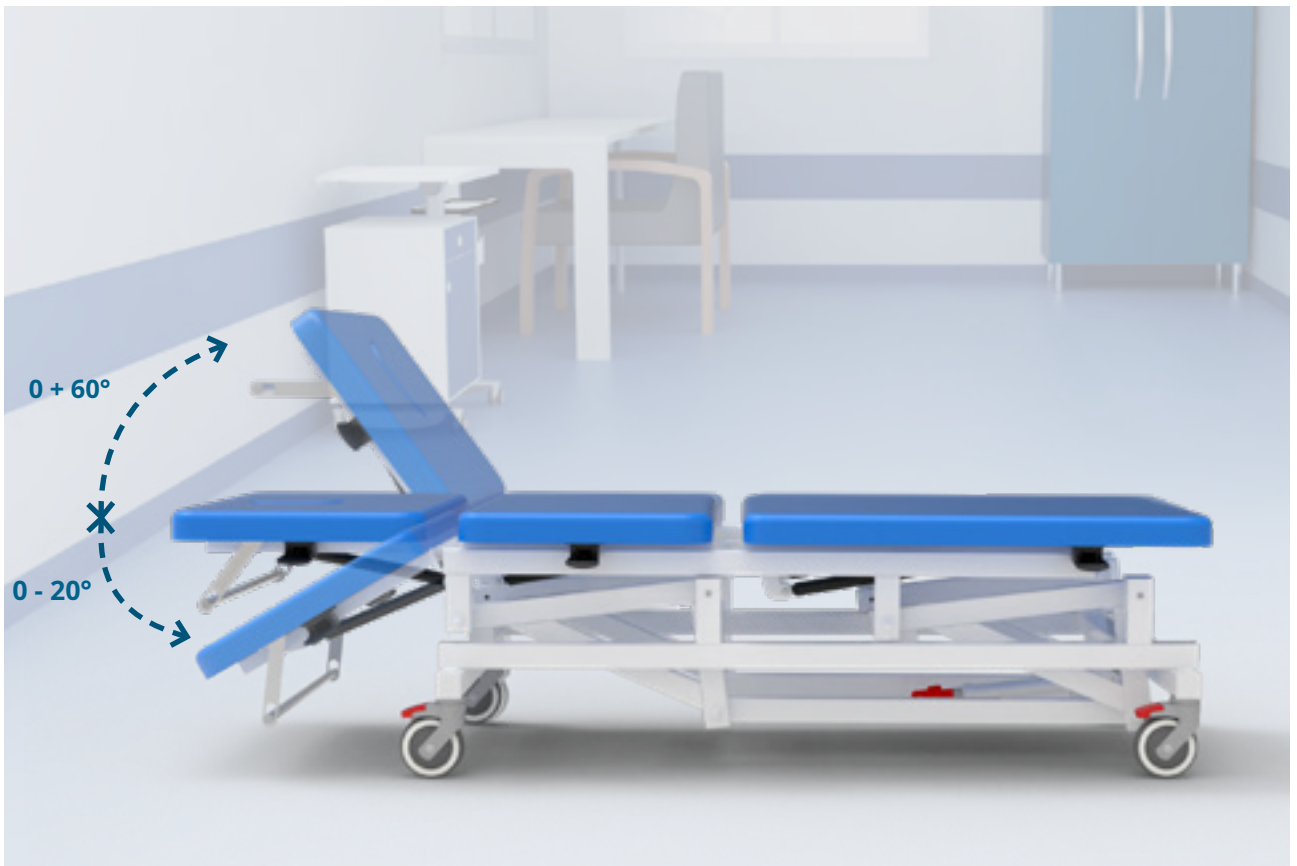


Standard equipment

- Top divided into 3 sections - 2 joints.
- Reinforced frame, made of steel painted with thermosetting epoxy powders enriched with antibacterial, color customization on request.
- Low back/leg adjustable with piston (gas spring), the movement can be operated manually thanks to the lever on both sides.
- High back/leg adjustable with piston (gas spring), the movement can be operated manually thanks to the lever on both sides.
- Trendelenburg obtainable with the aid of levers placed on both sides.
- Height adjustment obtained with pantograph compasses electrically operated via push-button panel. Minimum height 510 mm, maximum height 910 mm, with 400 mm travel.
- Perimeter pushbutton panel equipped with a 3.5m spiral cable. The pushbutton panel is easy to use as it is made with large raised pictograms and is also suitable for visually impaired patients; IP66 insulation. For patient safety, the control panel is supplied with a key to inhibit commands, equipment code AC34L.
- 4 swivel wheels with brake (Ø 100 mm), non-marking, low rolling resistance, very silent, sliding on bearings and with high capacity. Each wheel is equipped with a special brake that can be operated using a pedal lever.
- Padding made of high density expanded resin.
- Class 1IM imitation leather covering, a material that can be sanitized with commonly used detergents and medical-surgical devices, with antibacterial, antifungal and stain-resistant properties. Color customization on request - Equipment code AC87/1.



HEIGHT ADJUSTMENT VIA BUTTON PANEL



LOW BACKREST ADJUSTMENT WITH PISTON (GAS SPRING)



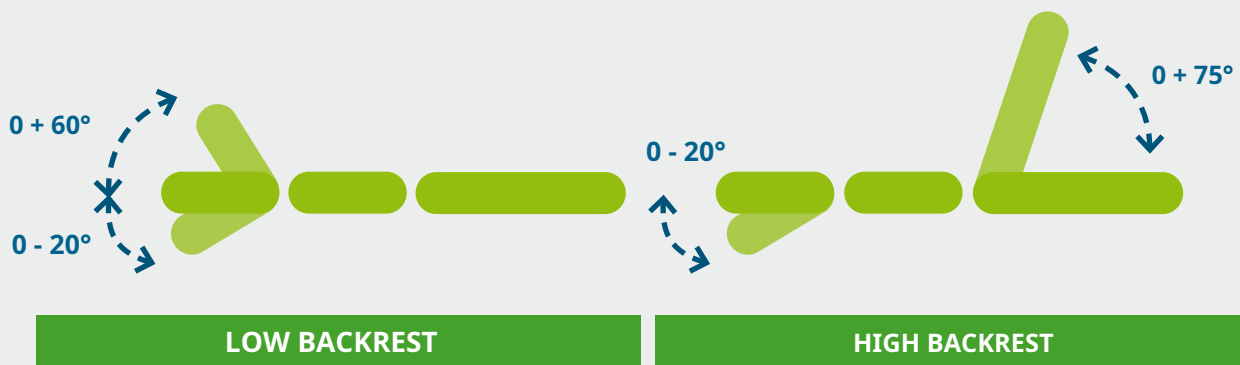
HIGH BACKREST ADJUSTMENT WITH PISTON (GAS SPRING)





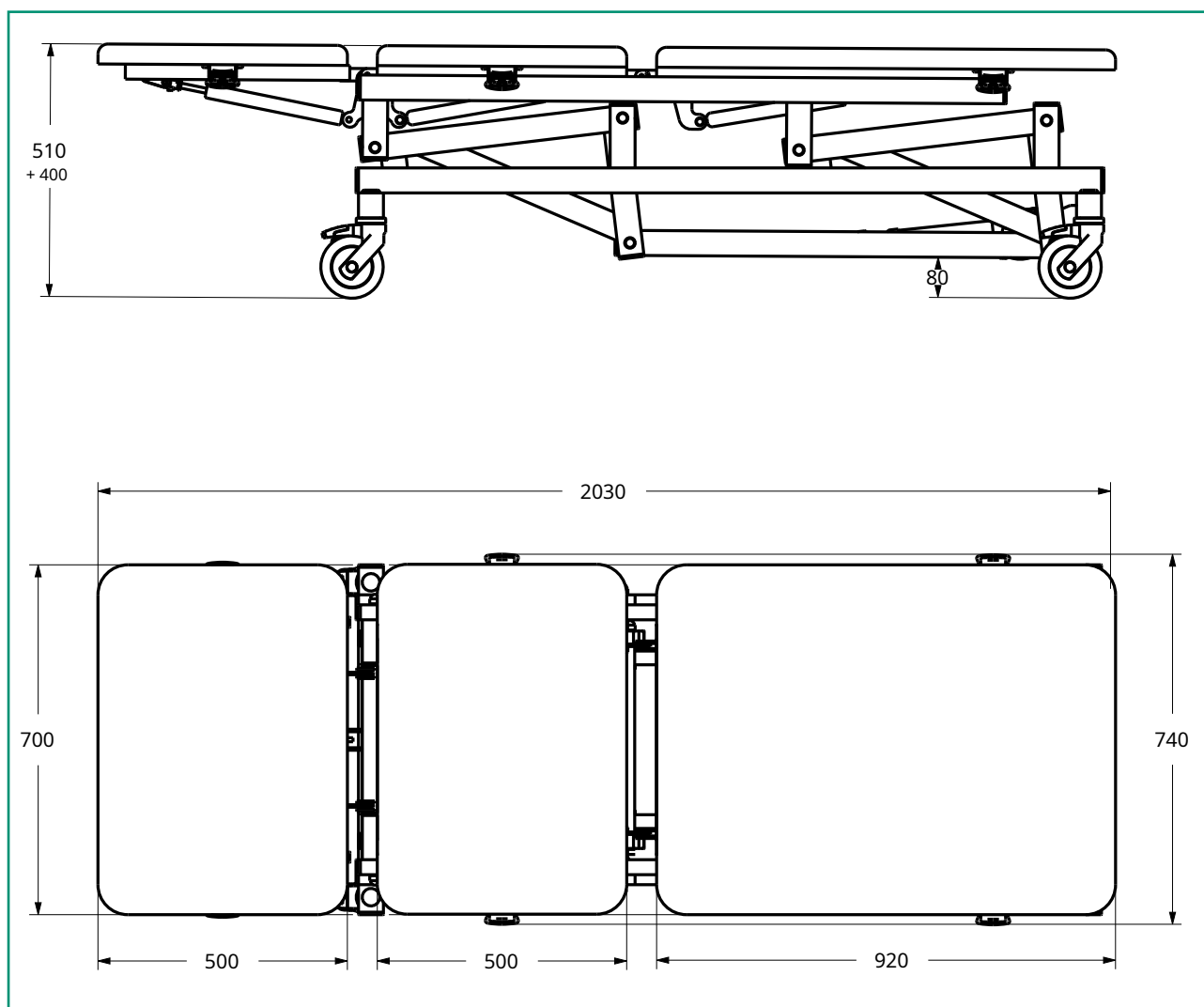
TRENDELENBURG CAN BE OBTAINED THANKS TO THE AID OF LEVERS PLACED ON BOTH SIDES

Inclinations of the sections





Size table



Do you want to implement the device?

Scan the QR code and discover all the accessories available by consulting the accessories tab.



Do you want to change the color of the upholstery or frame?

Frame or click the QR code and find out how to customize the device by consulting our color chart.



Data sheet

EMDN	V080603
Basic UDI-DI	805771740LVISKK
Progressive No./R	2293770/R
Product code	GB0389.SP
Intended use	Physiotherapy/massage bed
Producer	GARDHEN BILANCE SRL
Total weight	70kg
Type of control	Pushbutton
Wheels	Nr. 4 Ø 125 mm, swivel stainless steel with braking system
Diet	Multivoltage 100-240 Vac 50/60 Hz
Powered by batteries	24v - 4.5A
Electric engines	Low voltage (24V)
Max. absorption	4A
Isolation	IP44
Maximum capacity	180kg
Safe Workload	215kg

Power cable type



Type F - Schuko



Type L - 16A

Gardhen Balance Srl

Via G. Luraghi c/o Consorzio Il Sole – lot S - 80038 Pomigliano d'Arco (NA) – Italy Tel.
+39.081.8692160 pbx – Fax +39.081.8692460

E-mail: info@gardhenbalance.it - PEC: gardhenbalance@pec.it

Visit our site www.gardhenbalance.it/Follow us on



The images reproduced in this sheet are purely indicative and the dimensional values are nominal. The manufacturer has the right to make changes to the designs without notice. To identify the standard equipment and to choose any additional components, refer to the accessories catalog and/or the commercial proposals. In case of conflicting data, the content of the commercial proposals will prevail. In the event that no preferences are expressed regarding the colors of the devices ordered, they will be made with the colors shown in the technical data sheet/brochure.

For regulatory references, please consult the user manual and the declaration of conformity. Dep. 316
rev 23/10/2023