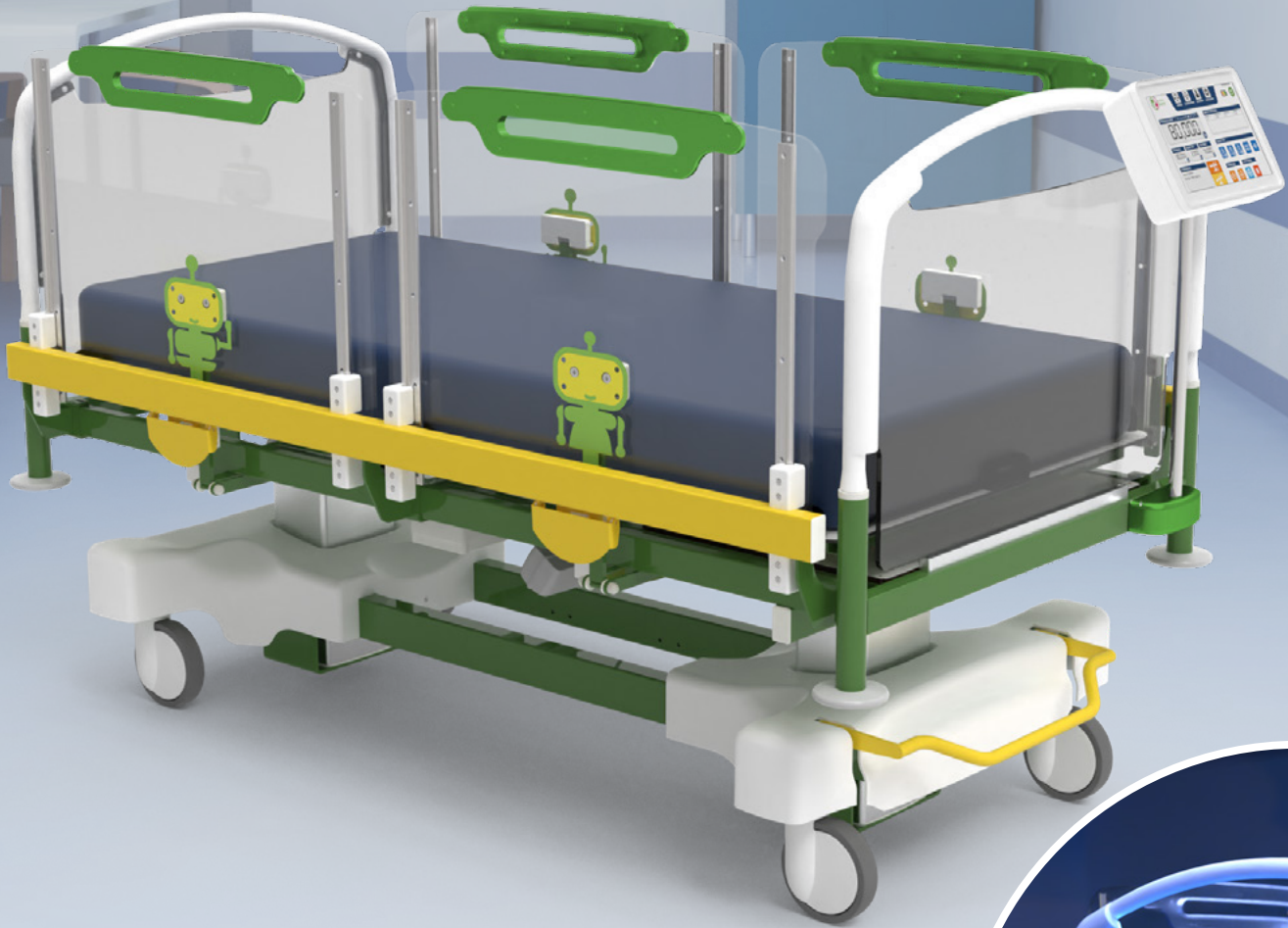


# Mosè Mini

Paediatric bed



ALL CLINICAL AREAS



**9 NOVELTIES**



total  
**VISION**

Safety and well-being



[www.gardhenbalance.it](http://www.gardhenbalance.it)



Standard equipment

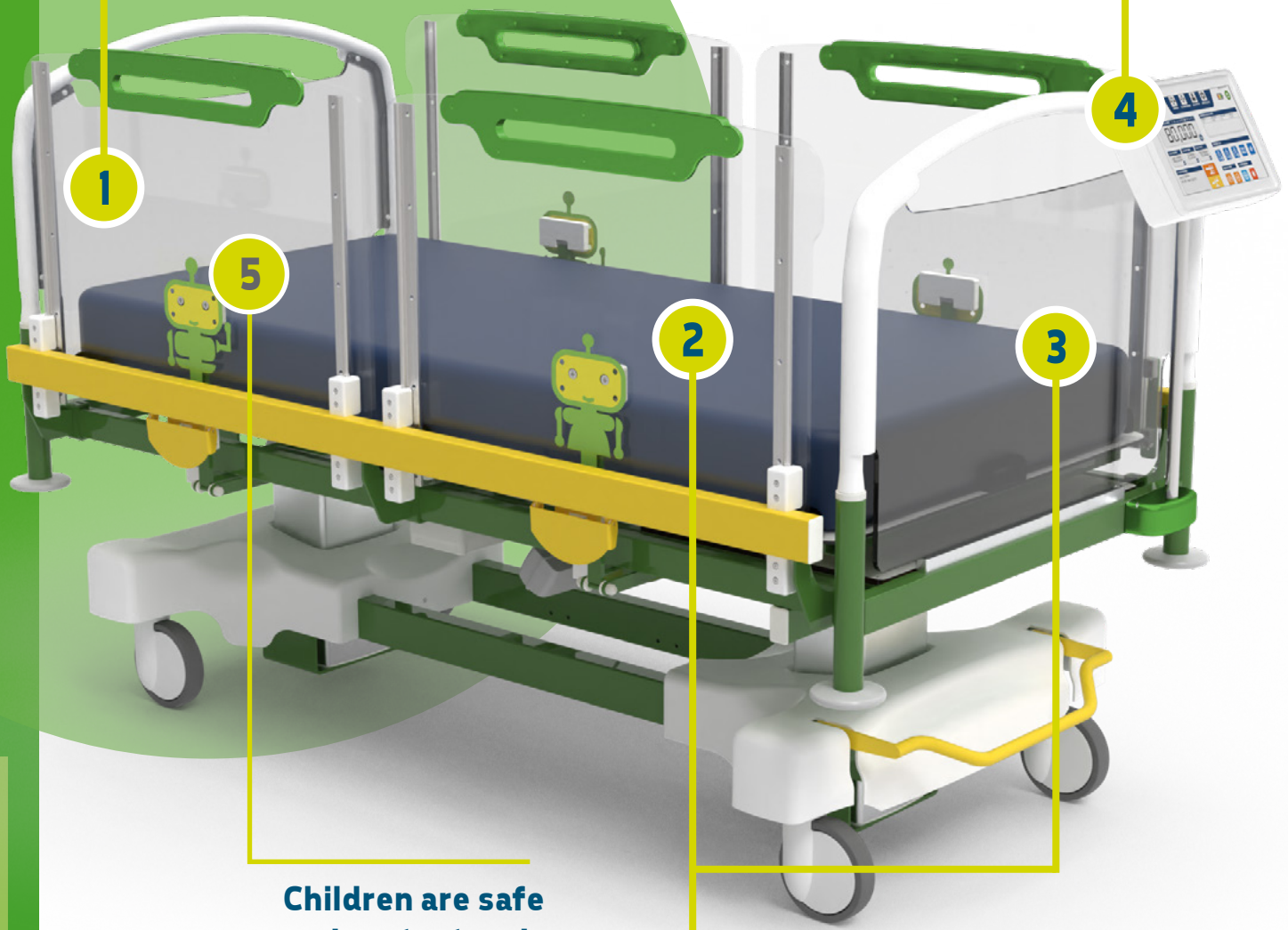
# 9 NOVELTIES

## total VISION

The transparent plexiglass bed frames of the 'Total Vision' system ensure continuous monitoring and facilitated interaction between the child and the caregivers, thus improving the effectiveness and safety of therapy.

**Display - GB Touch screen**  
movements and lights managing  
through a single panel

**Side rails'**  
cushioned descent  
and assisted raise



**Children are safe  
and protect and  
not in a cage**

**See-through head and foot panels**  
to keep the little patients always  
under control



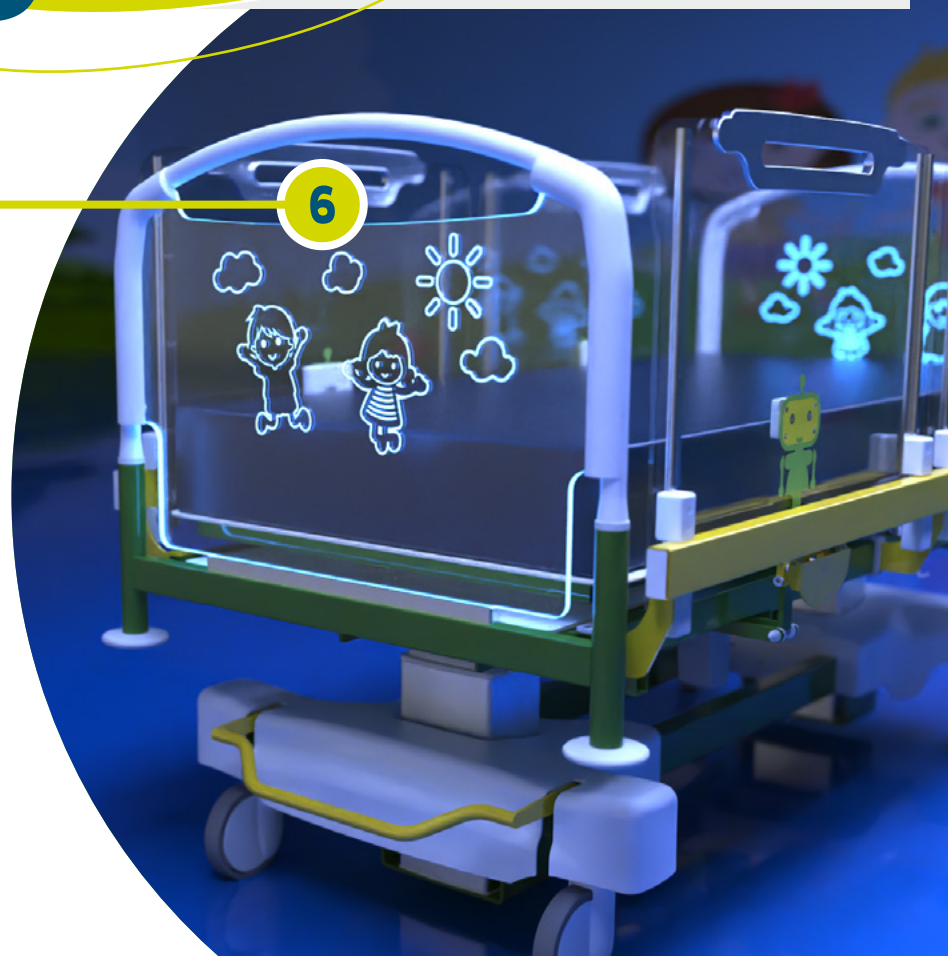


# 9 NOVELTIES

Accessory

## LIGHT EFFECT

Head and foot panels equipped with colorful lights with different intensity. Lights brightness can be adjusted through the Touch screen



### Customisation of shoulders

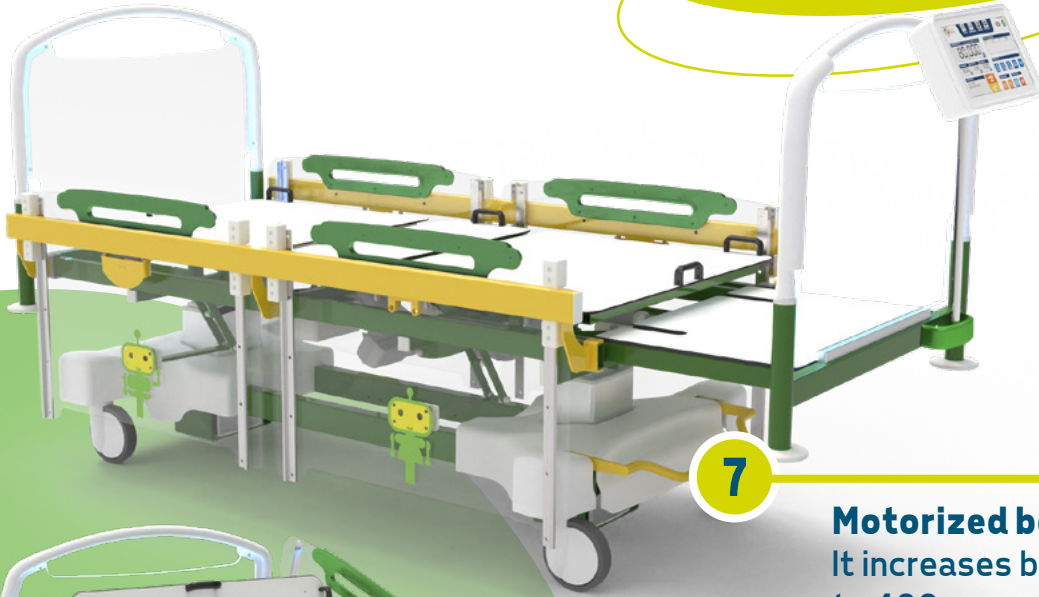
Accessory AC185 is available with the following drawings. Customizations are also available.





Standard equipment

**NOVELTY**



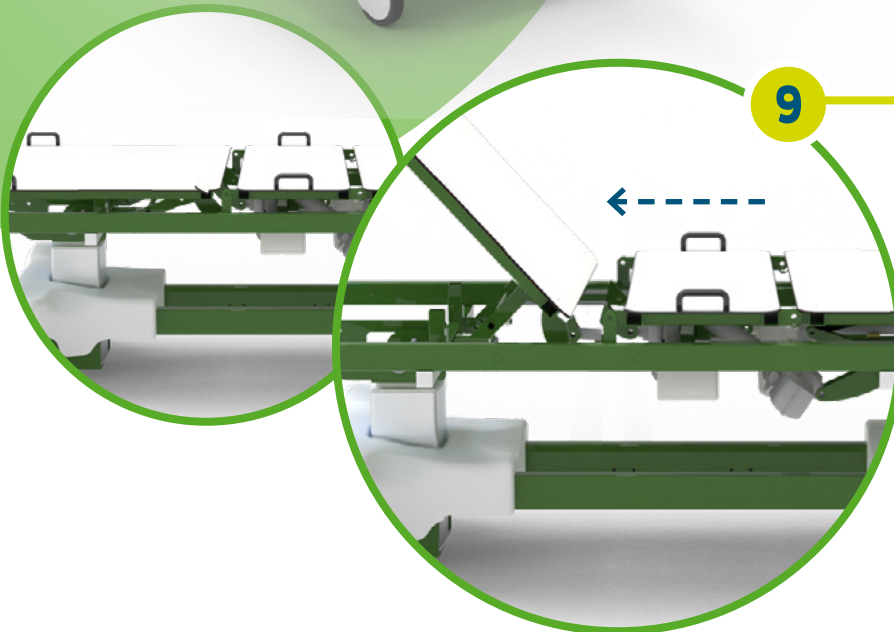
7

**Motorized bed extension.**  
It increases bed length up to 400 mm



8

**Seat/Chair Cardiological Chair**  
obtained by means of the special control on the display  
GB Touch console



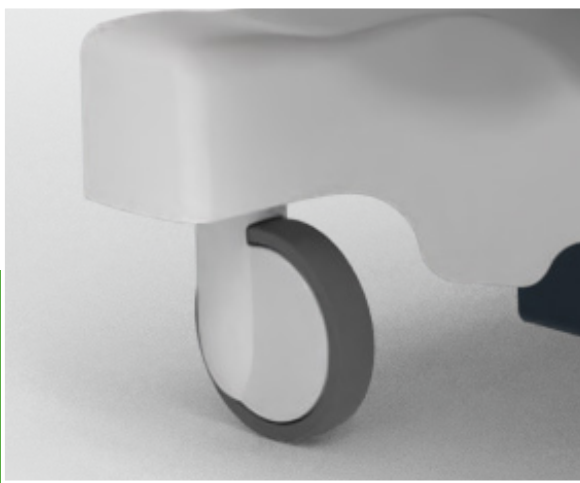
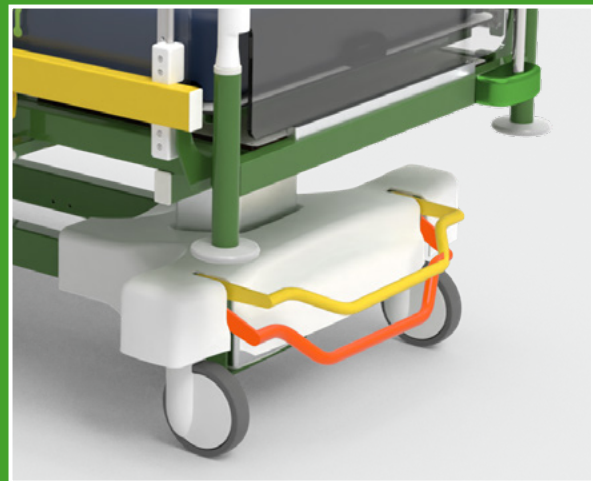
9

**Rototranslation of the backrest**  
for the limitation of abdominal compression



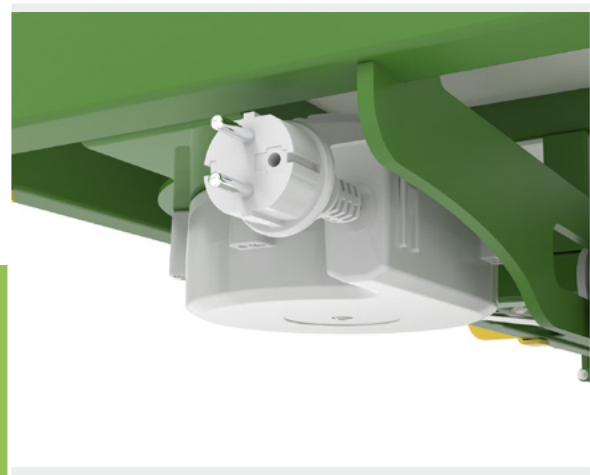
## Centralized brake and directional system

Activated through a foot bar that is easy to reach. It allows to brake all the wheels simultaneously and make it easier to drive the bed around. Equipment code AC7L2G



### Wheels

No.4 stainless, swivable and non-marking wheels. Diam 150mm



### Cable support

Located at head end



### Hooks for bags

Located on the frame



### Handset with 10 push-buttons

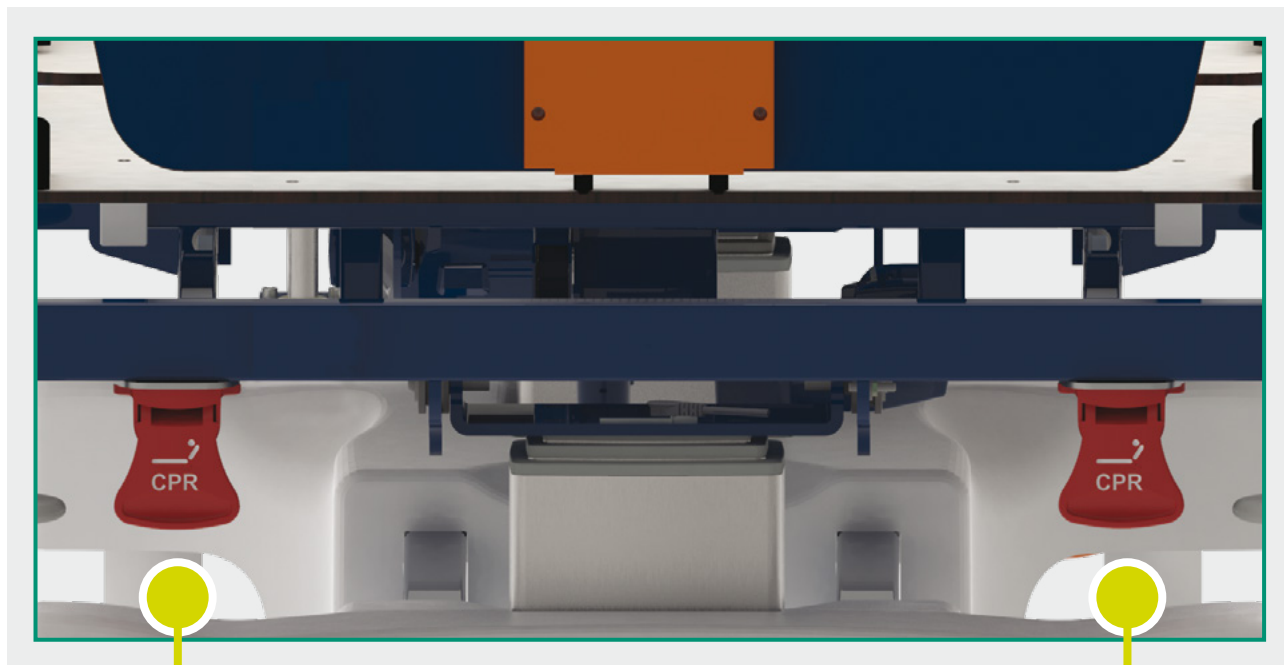




# Movements

## Backrest quick release

The medical device is equipped with a manual lever control (there are two levers) needed to unlock the backrest in case of a CPR emergency manoeuvre. Furthermore, the automatic "CPR position" can be activated via the GB Touch display - console. This function is easy to be performed by the operator to obtain the emergency position and start cardiopulmonary resuscitation activities. Equipment code AC8L.



### CPR Control

Manual activation through lever

### Automatic CPR control

Activated through display - GB Touch screen

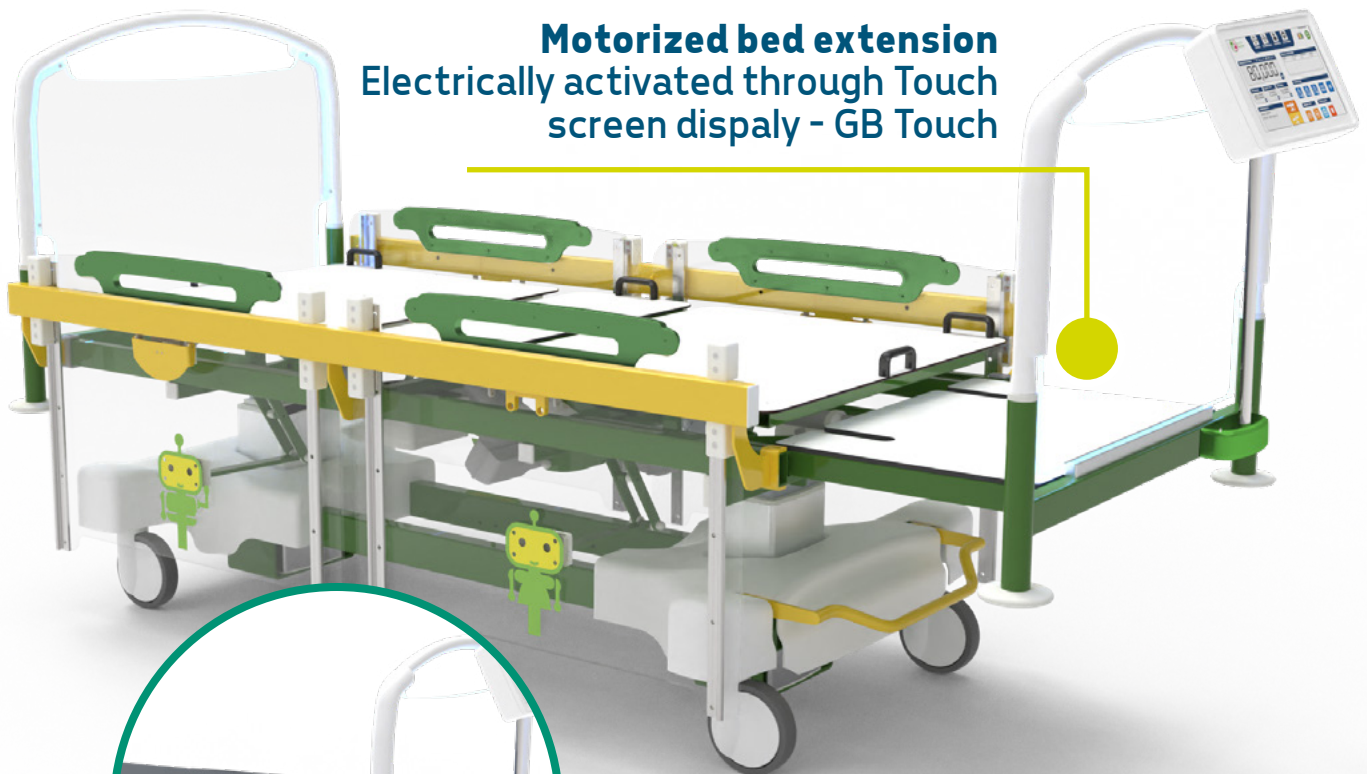




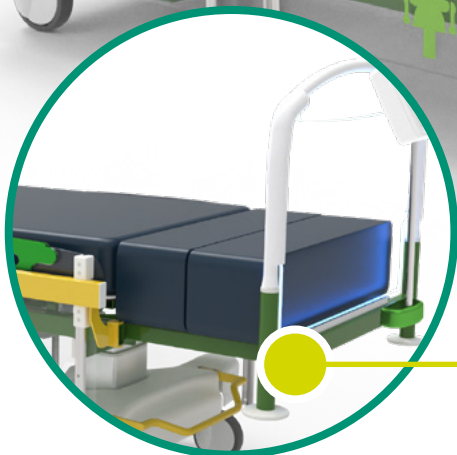
## Movements

### Motorized bed extension

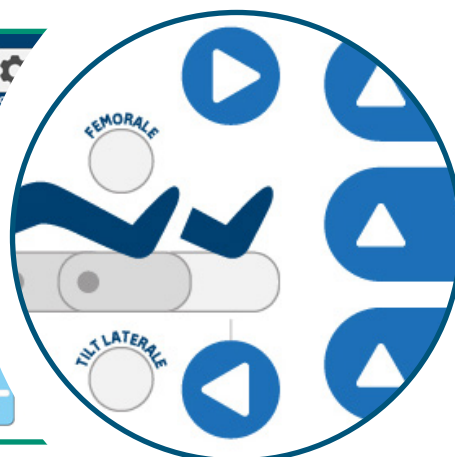
To be able to accommodate larger patients, simply operate the motorised bed extension which increases the length of the table top by up to + 400 mm. The movement is adjusted using the buttons on the GB Touch display/console. Equipment code AC61/4.



**Motorized bed extension**  
Electrically activated through Touch screen display - GB Touch



**Additional mattresses**  
The equipment includes 2 additional 200 mm mattresses



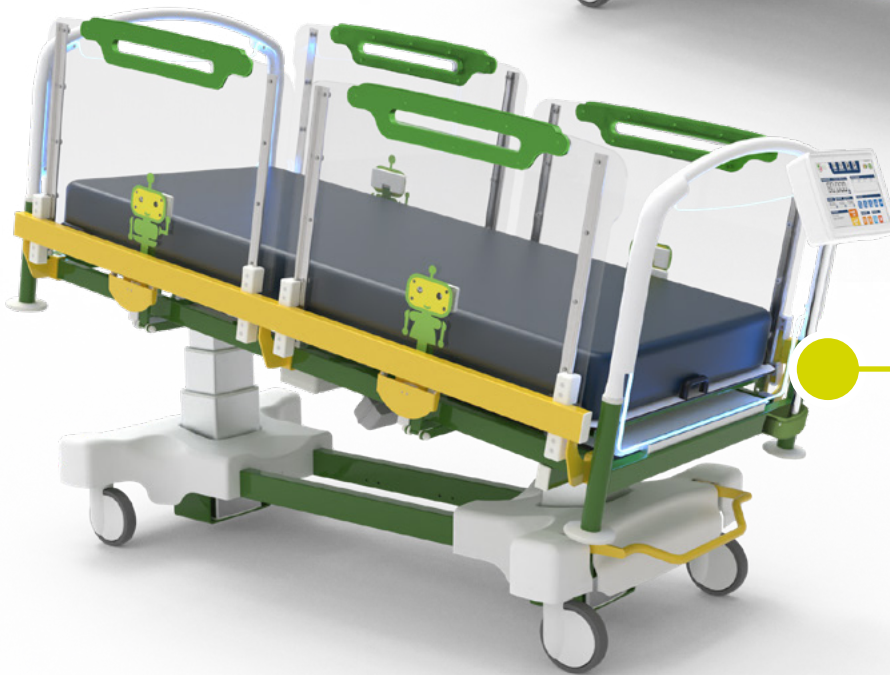
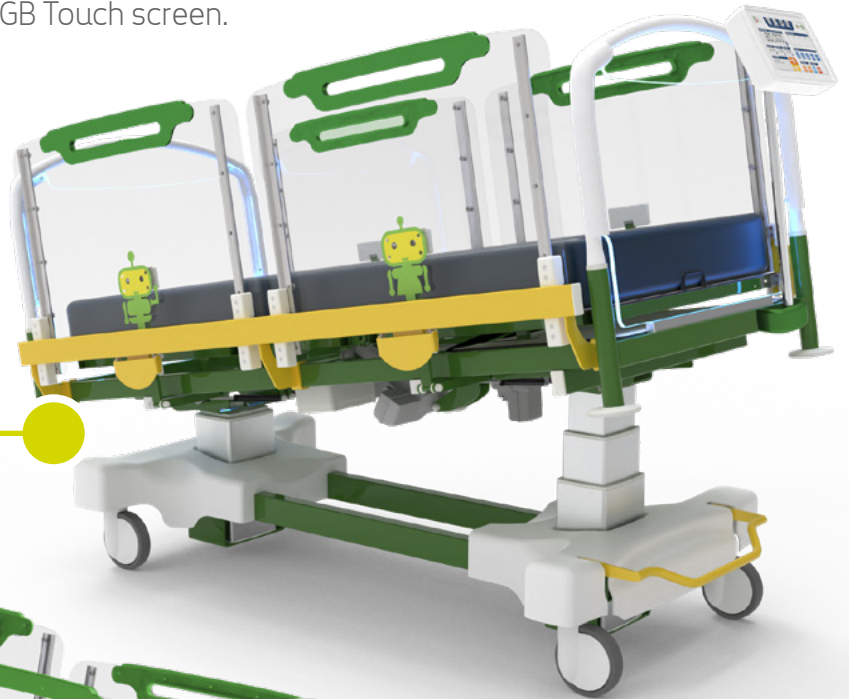


# Movements

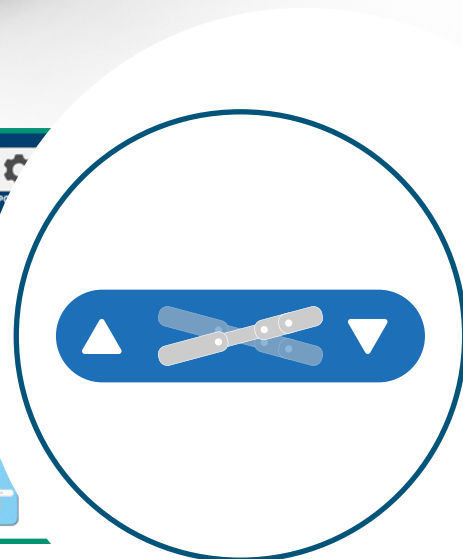
## Trendelenburg and Reverse Trendelenburg

Trendelenburg and Reverse Trendelenburg are achievable by pushing on the dedicated push-buttons located on the display - GB Touch screen.

Trendelenburg



Reverse Trendelenburg



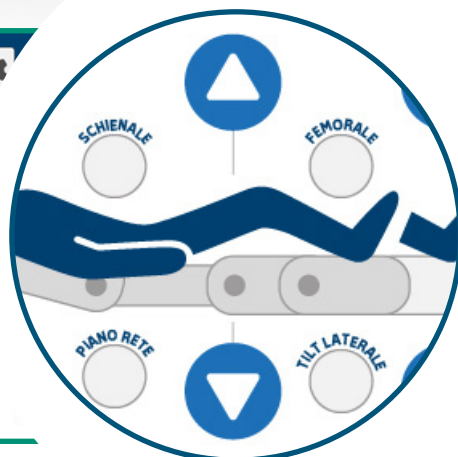




# Movements

## Adjustable height

The paediatric bed is height adjustable. Two motorized telescopic columns, with a rectangular section can be activated through the display - GB Touch screen, allowing to adjust the height of the top up to + 400 mm.





# Movements

## Cardiac chair

The bed can achieve the “cardiac chair” position. Also in this case the backrest section performs automatic roto-translation. The function is memorized and controlled via the GB Touch display console. Equipment code AC62.



**Cardiac chair**





## GB Touch

### Scale display / Control panel

The pediatric bed is equipped with a 10.1" HD Touch Screen Display with a 160° visual angle to manage all the **movements** of the device.



## Features

- Switch-on via Soft Touch Button
- Movements management
- Low voltage power supply
- Indicator box in plastic material with IP65 insulation
- Battery status indicator
- Display lighting control
- Screen saver
- Night mode
- Smart functions
- Complete control via GBSmart android/ios/windows application
- Connection to digital devices via RS485 port
- Scheduled maintenance setting
- Language setting: Italian - English - French - Spanish - German
- Digital protection against accidental or unwanted access
- Shoulder lighting management (only when accessory AC185 has been equipped on the bed)



## Other features

- Frame painted with thermosetting epoxy powders
- Bed base made of 3-section in HPL with double articulation
- Thermoformed ABS cover to protect the base
- Easily removable transparent (equipment code AC65/8).
- Transparent side rails with cushioned descent and assisted raise, with release lever and integrated handle for movement (equipment code AC71/2).
- Motorized backrest section.
- Motorized femoral section.
- Servo-assisted leg section by gas springs, synchronized with the movement of the femoral section and manually adjustable
- Adjustable height, motorized Trendelenburg and reverse Trendelenburg through electric columns
- Cardiological position with roto-translation of the backrest (equipment code AC62).
- Motorized bed extender with up to +400 mm (equipment code AC61/4).
- 2 additional mattresses for the cubicle (equipment code AC61/2).
- Anti-crushing and anti-shear low voltage electric motors.
- Swivel, stainless, non-marking wheels, diameter 150 mm with centralized braking system and directional system. Activated by foot pedal (equipment code AC7L/2G).
- Quick release of the backrest for easy CPR (equipment code AC8L).
- Battery box - to power the device in case of power failure (equipment code AC17L).
- No.4 bumpers.
- Cable support (equipment code AC50L/1).
- Equipotential node.
- Predisposition for IV pole (equipment code AC4L/S).
- Bilateral bag holder hooks (equipment code AC3L).
- Clearance allows lifts or hoists fitting.
- Touch screen display for managing movements (equipment code AC167).
- Additional 10-key push-button panel. The hand control is easy to use as it is designed with large relief pictograms and is also suitable for visually impaired patients. IP66 insulation.
- For patient safety, the hand control is equipped with a key for control inhibition (equipment code AC34L).



### Do you want to improve the device?

Scan the QR Code to find out all the available accessories listed on our catalogue.

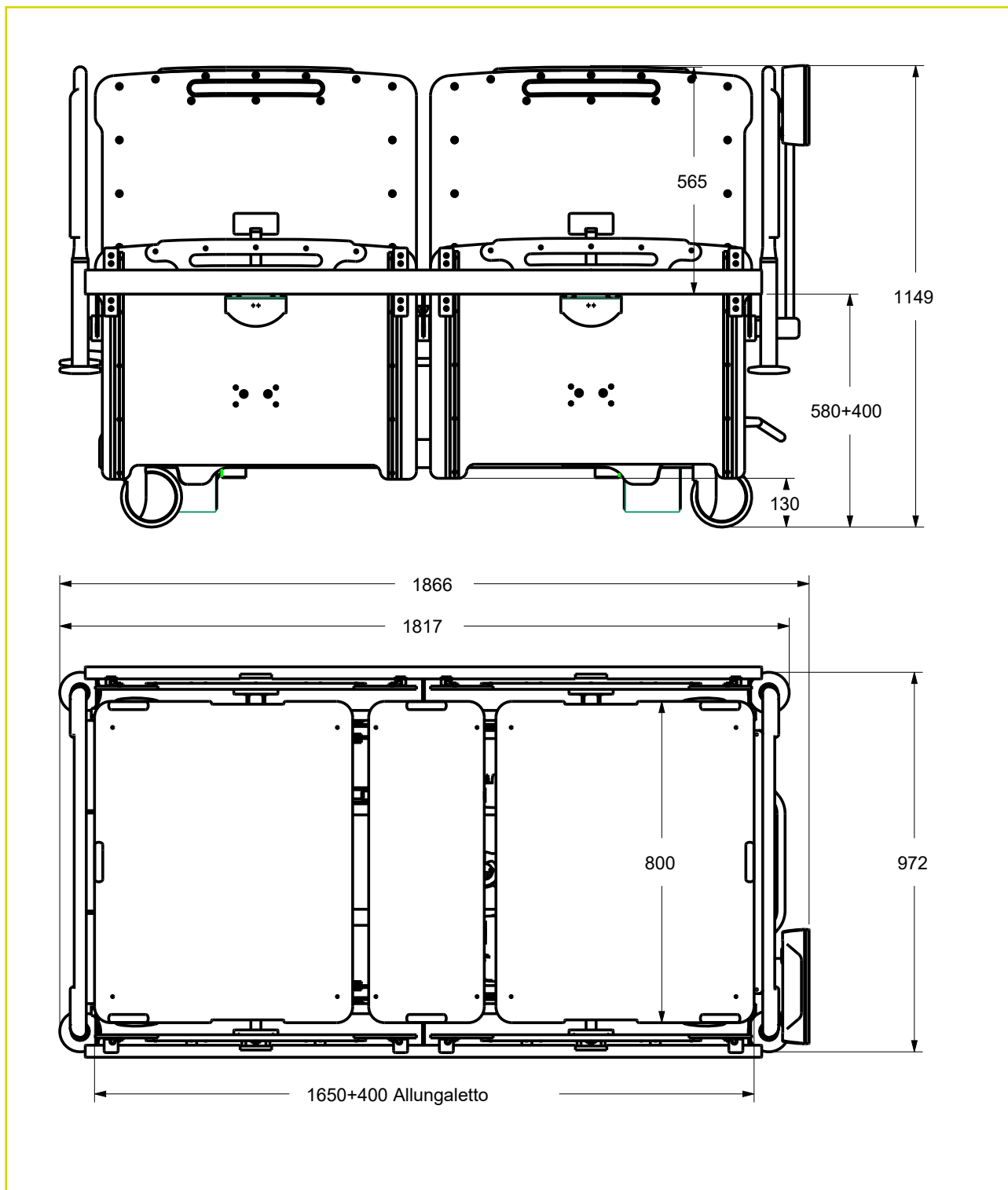


### Do you want to choose the colour of the frame?

Scan the QR Code to find out all the colours available on our colour chart.



## Dimensions



## Power cord type



Type F - Schuko



Type L - 16A



Type I - Australia



Type B - Canada and USA



Type B - Canada and USA



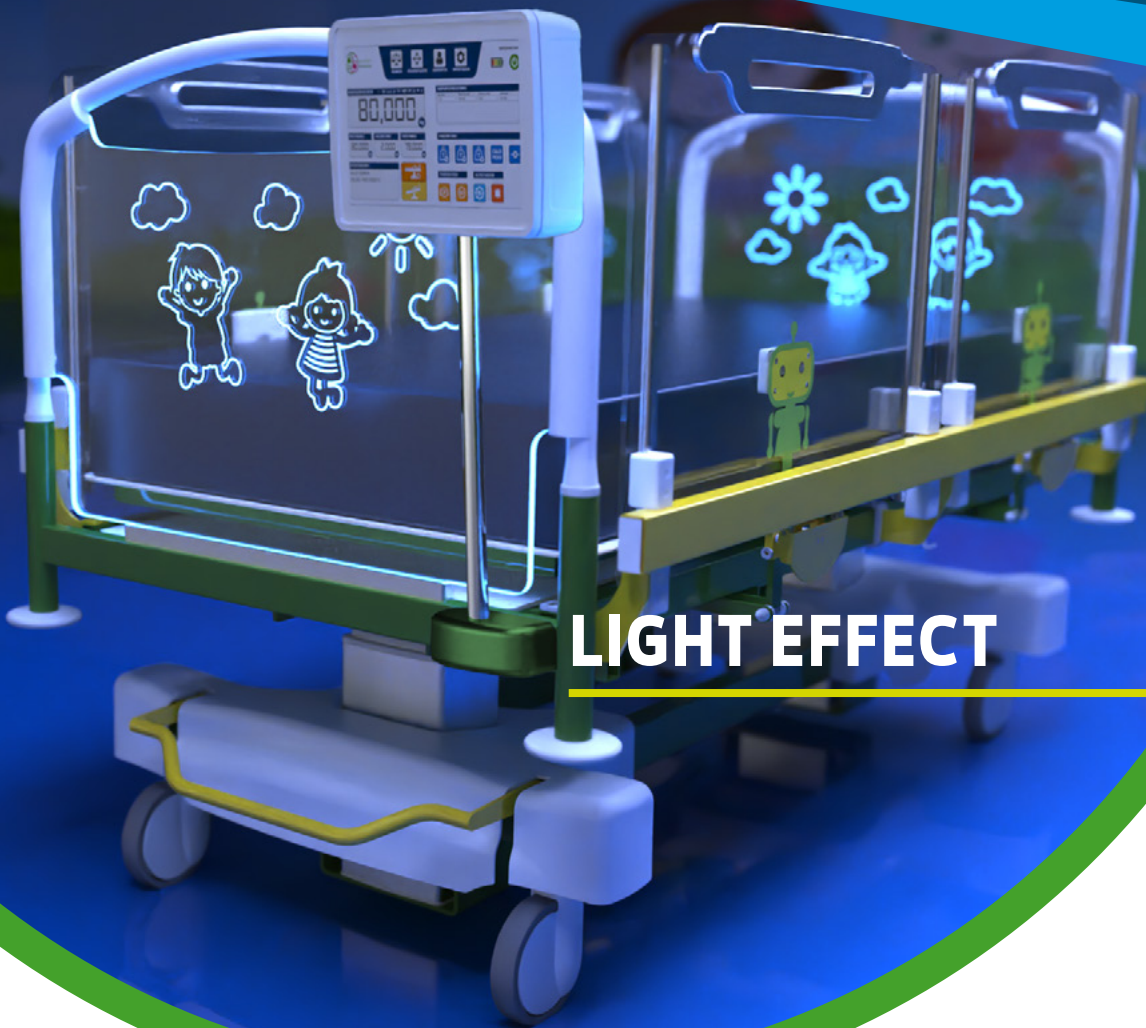


### Technical sheet

Codice CND / EMDN	<b>V0806010701</b>
Codice GMDN	<b>34870</b>
N. progressivo/R	<b>2441310/R</b>
UDI-DI di Base	<b>805771740LETNC</b>
ID Product	<b>GB0021.MP</b> Painted steel
Inteded use	Multifunctional bed
Manufacturer	GARDHEN BILANCE SRL
Spare parts availability	10 years
Overall weight	168 kg
Controls	Display touch screen
Battery	10 cycles of autonomy
Battery weighing system	6 V self rechargeable (autonomy approx. 24 hours)
Power	Multivoltage 100-240 Vac 50/60 Hz
Main cable	Schuko or other upon request
Wheels	No. 4 swiveling and stainless 150 mm with braking system
Electric motors	Low voltage (24 V)
Max electrical input Max	460 VA
Insulation	IP44
Max load	200 kg
Safety working load	235 kg
Display box	Display box in plastic material with IP65 insulation
Converter	24bit
Display	Touch Screen
Power display	7.5 Vdc
Alarms	Brake disconnection alarm / Brake disconnection luminous alarm / Battery status indicator / Faults indicator / Maintenance deadline alarm
Data transmission	RS232 serial standard - usb - ethernet
I/O (opz.)	4 output
Antiblack-out function	Extra battery + software
Conformity	Regulation UE 2017/745

# Mosè Mini

Paediatric bed



**LIGHT EFFECT**



## **Gardhen Balance S.r.l.**

Via G. Luraghi c/o Consorzio Il Sole - lotto S -  
80038 Pomigliano d'Arco (NA) - Italy

Tel. +39.081.8692160 pbx - Fax +39.081.8692460

E-mail: [info@gardhenbalance.it](mailto:info@gardhenbalance.it)

PEC: [gardhenbalance@pec.it](mailto:gardhenbalance@pec.it)

Pictures contained in this brochure is for illustrative purpose only. The manufacturer reserves the right to modify the projects without notice. For accessories identification please refer to the accessory catalogue or commercial offer. When data are different please refer to commercial offer.  
Dep. EN\_148 rev. 24/04/2024