

# Francis Scale

MULTIFUNCTIONAL COUCH



COUCH WITH  
INTEGRATED SCALE

Frequent Usage

Ambulatory  
Bariatric  
Ultrasound diagnostic  
Endoscopic examinations  
Physiotherapy  
Medical practice  
Emergency room



**TECHNOLOGY &  
FUNCTIONALITY**

multifunction device  
for specialist activities



[www.gardhenbilance.it](http://www.gardhenbilance.it)

## Weighing system

- The device is equipped with a digital weighing system integrated in the structure of the bed that holds the record of great metrological fidelity, in compliance with the restrictive requirements of NAWI 2014/31/EU.
- The weight is displayed on a touch screen HD 10.1" with a 160° visual angle (the display controls also bed's movements).
- Low voltage power
- Box in plastic with IP65 insulation.
- Soft Touch Button to switch the screen on
- POST - Power-on Self Test
- Countdown for weight loss
- Full scale limit
- Scale stabilizer
- Weight loss alarm.
- Patient exit alarm.
- Programmed maintenance alarm.
- Battery indicator
- System's updates
- Patient's identification data
- Patient's place indicator
- Automatic zero at switch-on
- Tare: Automatic and manual, always visible
- Reading mode: This features will enlarge the section related to the weight on the screen up to 8,5"
- Initial weight: Automatic initial weight memorization into patient's personal data sheet. All the data will be transmitted
- automatically to the USB and Ethernet port with Checksum protection.
- Final weight: Automatic final weight memorization into patient's personal data sheet. All the data will be transmitted automatically to the USB and Ethernet port with Checksum protection.
- Weight loss: Graphical and numerical display of the weight.
- Optimized graphic with instantaneous weight display - weight loss duration - weight loss delta - countdown. Excellent digital graphic and prompt displaying of the following data: weight loss - weight loss time - weight loss delta - countdown, with relative graphic representation; Intelligent system that recognizes the presence of the patient on the bed.
- Unit of measurement indicator: The unit of measurement can be choose between kgs and lbs.
- Automatic triple scale display:
  - a. with a max load capacity of 200 kg automatic displaying of the minimal division of 20 g up to 60 kg, 50 g up to 150 kg and of 100g up to 200 kg.

**10.1" Display**  
Touch Screen

**ALL IN ONE**  
Multifunctional device

**DATA MANAGEMENT**  
Local and remote  
storage and monitoring



## Weighing system

- Converter: 24 bit, 10000 DIVISIONS.
- Automatic data transmission to ports.
- Memory functions up to 20.000 weighing.
- Interfaces: No.1 Ethernet + N°2 USB (interfaces scan RS232/USB) - BT and Wi-Fi (optional).
- Battery status indicator.
- Hour and date always visible.
- PASSIVE MOBILISATION Programme.
- Six motors single or simultaneous activation.
- PUSH&GO motors system.
- Up to 5 available memories.
- Opportunity to switch-on up to 4 external devices (e.g lamps, electric bell, operator advise).
- Display lightning control.
- Screen saver.
- Night mode.
- Smart function.
- Communication system between multiple indicators through Ethernet and WiFi.
- Complete check through app for Android/ Ios / Windows and GBSmart.
- Remote parameter control.
- Displaying of user manual and service manual.
- Connection to digital devices through RS485.
- Programmed maintenance option.
- Tampering protection with code NSA.
- Tampering protection cells ANTISWAP.
- Access register.
- Failure and malfunction handling.
- Error reset.
- Assistance call-button from the device.
- Remote failure identification.
- Remote maintenance.
- Remote tare verification (only when digital load cells are present).
- Remote locale software's update.
- Digital identifying label.
- Language setting: English - Italian - German - Spanish - French.



### Learn more about the GB Touch

Frame or click the QR code button and discover all the features and capabilities of the display.

# VERSATILE & SAFE

The **multifunctional bariatric balance examination bed** is extremely versatile and can be used for several specialist visits. Thanks to its robustness, allows you to adjust the position of the patient so as to ensure greater comfort during the visit or other procedures medical.

## PAPER-ROLL

## ADJUSTABLE BACKREST

Adjustable backrest section to optimize the patient's posture.

## RELEASE LEVER

Lever for manually unlocking the backrest sections.

## GB TOUCH

Multi-function touch screen display.

## GLIDES

Levelling glides that make the can firm to the floor.



## Benefits

- High performances and long lifetime are ensured by its sturdy structure and by the robust frame.
- The frame is crushproof and it is designed to avoid any tilt and it is safe also for oversize patients.
- The coating is made out of special leatherette. It is certified as antibacterial and antimycotic and it is easy to clean.

## Standard features

- Lying surface divided in 2 sections with servo-assisted backrest's adjustment.
- Adjustable backrest 0-70° with gas spring.
- Reinforced frame, made out in steel painted with epoxy paint enriched with antibacterial. The colour is customizable upon request - Colour chart at page 6.
- Quick release of the backrest, it allows to perform the cpr manoeuvre - Equipment code AC8L.
- Fixed height base.
- Glides.
- Leatherette upholstery class 11M; antimycotic, antibacterial, stain resistant. It can be sanitized with the most common type of detergents. The colour is customizable upon request - Equipment code AC87/1.
- Mattress made out in high density expanded foam.
- Paper roll holder located behind the backrest - Equipment code AC11.
- Integrated weighing system.
- Digital multifunction scale display, placed on the back of the backrest - Equipment code AC167.
- Integrated weighing system.

## Release lever

Quick release of the backrest, it allows to perform the CPR manoeuvre - Equipment code AC8L.



**Would you like to customize the upholstery or the frame?**

Scan or click the QR code and discover how to customize the device consulting our colour chart.

# Movements



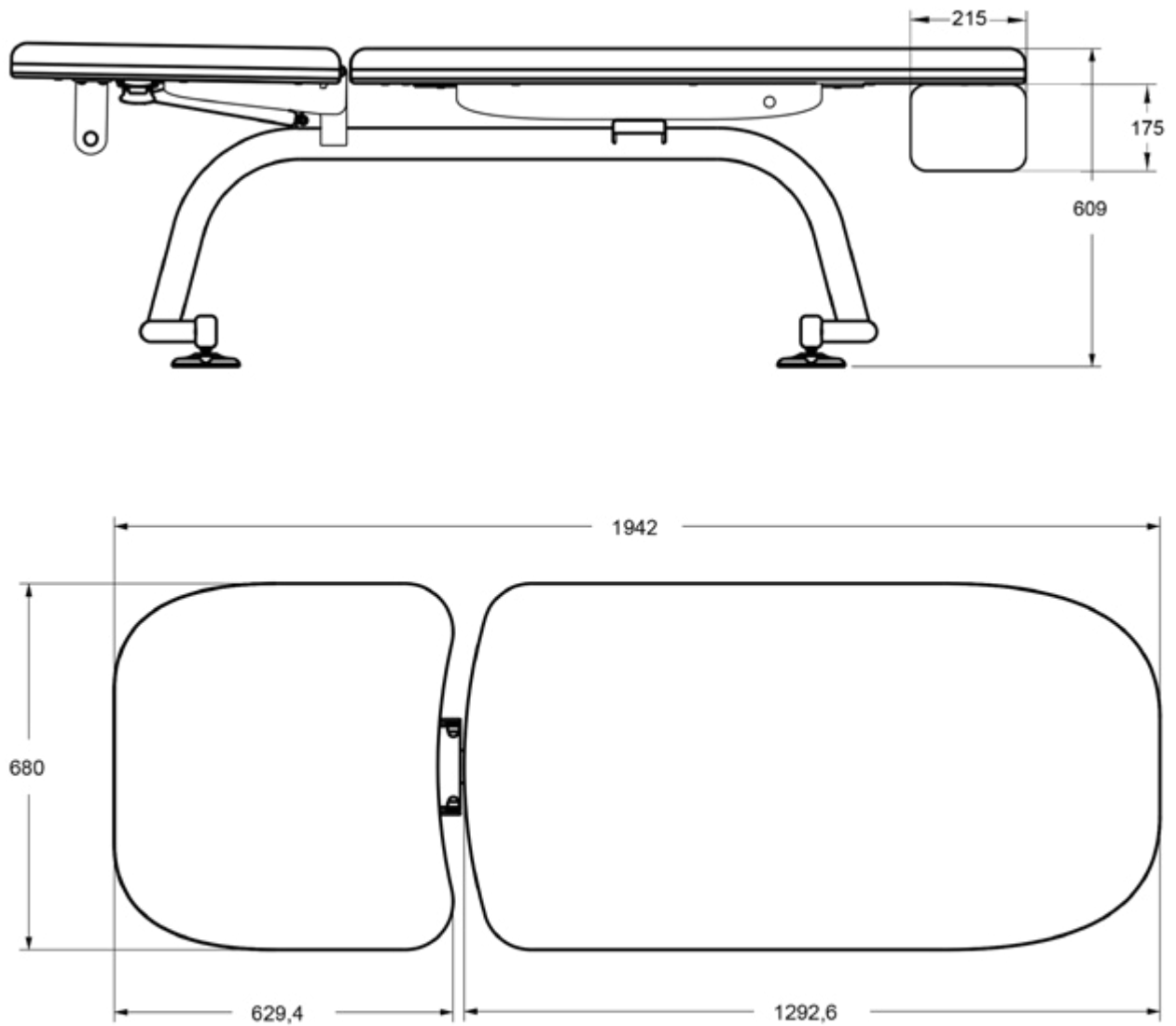
**BACKREST DOWN**



**BACKREST UP**



## Dimensions



### Do you want to improve the device?

Scan the QR code and find out all the available accessories on the catalogue

## Movements

GMDN Code	<b>34134</b>
ID Code	<b>GB0040.SP</b> Painted steel <b>GB0040.BP</b> Stainless steel
Intended use	Doctor's visit couch with integrated weighing system
Manufacturer	GARDHEN BILANCE SRL
Power	Multitension 100-240 Vac 50-60 Hz
Main cord	Schuko or others upon request
Electric motors	Low voltage (24 V)
Max electrical input	480 VA
Insulation	IPX4
Max load capacity	Standard 200 kg / Bariatricc 300 kg
Safety working load	Standard 235 kg / Bariatric 335 kg
Division	a) With a max load capacity of 200 kg automatic displaying of the minimal division of 20 g up to 60 kg, 50 g up to 150 kg and of 100 g up to 200 kg. b) With a max load capacity of 300 kg automatic displaying of the minimal division of 20 g up to 60 kg, 50 g up to 150 kg and of 100 g up to 300 kg.
Box Display	Stainless
Display	LED-backlit LCD
Status indicators	Luminous on display and on control systems
Keyboard	25 buttons in polycarbonate
Alarms	Weight decrease, bed exit, programmed maintenance
Data transmission	Serial RS232 (option Ethernet 10/100)
I/O (optional)	2 output
Display dimensions	220 x 160 x 50h mm
Power display	7.5 Vdc
Anti-blackout function	Software
Weighing system battery	6 V rechargeable (24h duration)
Tare tare subtraction	Before and during the treatment
Tare modalities	Automatic and manual

## Power cord type



Type F - Schuko



Type L - 16A



Type I - Australia



Type B - Canada and USA



Type B - Canada and USA

Pictures contained in this brochure is for illustrative purpose only. The manufacturer reserves the right to modify the projects without notice. For accessories identification please refer to the accessory catalogue or commercial offer. When data are different please refer to commercial offer.

Dep. EN\_73 rev. 25/01/2022