

# Francis EL

Examination couch with electric height adjustment



COUCHES



## Frequent Usage

Emergency room  
Physical therapy  
Infirmary  
Clinic  
Ultrasound diagnostic  
Endoscopic examinations

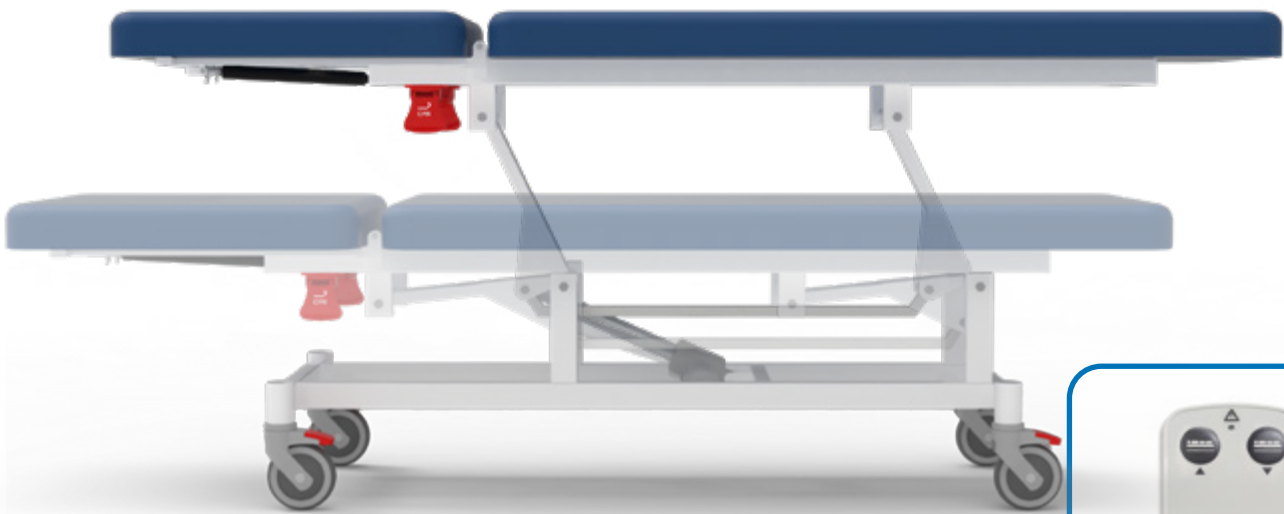
**STURDY &  
TABLE**

a valuable support for medical treatments





# Examination couch with electric height adjustment



ADJUSTMENT THROUGH HANDSET



BACKREST MOVEMENTS ADJUSTABLE THROUGH PISTON (GAS SPRING), RANGE 0+60°



## Standard Features

- The lying surface is divided in 2 sections with 1 joint;
- Reinforced frame, made out in steel painted with epoxy paint enriched with antibacterial. The colour is customizable upon request;
- The backrest can be adjusted from 0° to 60° through piston (gas spring). The movement can be activated with levers located on both sides;
- Adjustable height adjustment through electric actuator controlled by mobile push-button panel. Minimum height 50 cm, maximum height 90 cm, with 40 cm range.
- The 2-button handset is equipped with a 3.5 m coiled cable. For patient safety, the handset is supplied with a key to inhibit the commands, code AC34L. The handset is easy to use as it is made with large relief pictograms and is also suitable for visually impaired patients; IP66 insulation;
- No. 4 swivel castors with brake (ø 125 mm), non-marking, low rolling resistance, very quiet, smooth running on ball bearings and high capacity. Each wheel is equipped with a special brake activated through pedal;
- Mattress in expanded foam with high density;
- Upholstery: with anti-bacterial properties, flame retardant class 11M, antimicrobial, ecologic, latex free, phthalate free. Resistant to: alcohol, sodium hypochlorite max 5%, a wide range of common used detergent, liquid and other biological fluids. - Equipment code AC87/1.



### Do you want to upgrade this device?

Scan the QR code and check out the entire range of accessories available for this device.

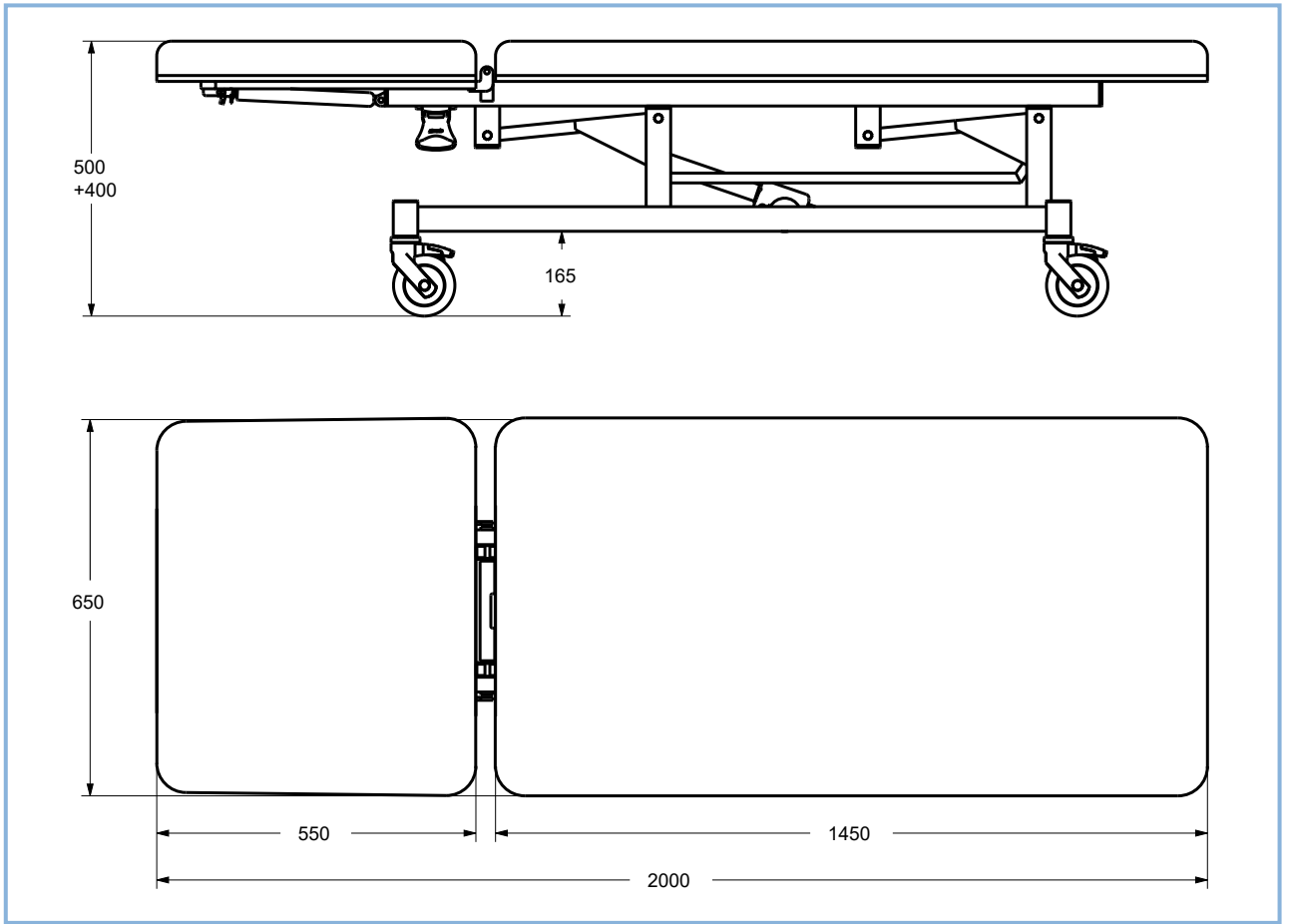


### Do you want to choose the colour of the upholstery and/or frame?

Scan the QR code to check out the entire range of colours available for this device.



# Dimensions





## Technical sheet

GMDN Code	
ID Code	<b>GB0387.SP</b>
Inteded use	Examination couch
Manufacturer	GARDHEN BILANCE SRL
Overall weight	70 kg
Controls	Handset
Wheels	Wheels No.4 Ø 125 mm with brake, stainless and swivable
Power	Multitension 100-240 Vac 50/60 Hz
Battery	24v - 4.5A
Electric motors Low voltage	Low voltage (24 V)
Max electrical input	4A
Insulation	IP44
Max load capacity	180 kg
Safety working load	215 kg

## Main cord



Type F - Schuko



Type L - 16A



Type I - Australia



Type B - Canada and USA



Type B - Canada and USA

For certifications please refer to "Certifications and Quality system" section

Pictures contained in this brochure is for illustrative purpose only. The manufacturer reserves the right to modify the projects without notice. For accessories identification please refer to the accessory catalogue or commercial offer. When data are different please refer to commercial offer.

Dep. EN 314 rev. 21/03/2023