

Flex

Gynaecological/urological examination table



COUCHES

Usò Frequente

Gynecology
Urology
Clinic
Ultrasound Diagnostics
Endoscopic exams
Medicine
Emergency room



**VERSATILE &
SAFETY**

Multifunction device
for specialistic activities



www.gardhenbalance.it



VERSATILE & SAFETY

The **examination table Flex** is extremely versatile and could be used for gynaecological/urological examination. Thanks to the sections and ergonomic, allows to get an optimized posture of the patient and more comfort during the visit or other medicals procedures.

ROLL HOLDER

Roll holder made in painted steel located over the backrest.

CONTOURED

Contoured adjustable with manual mechanism.

WHEELS

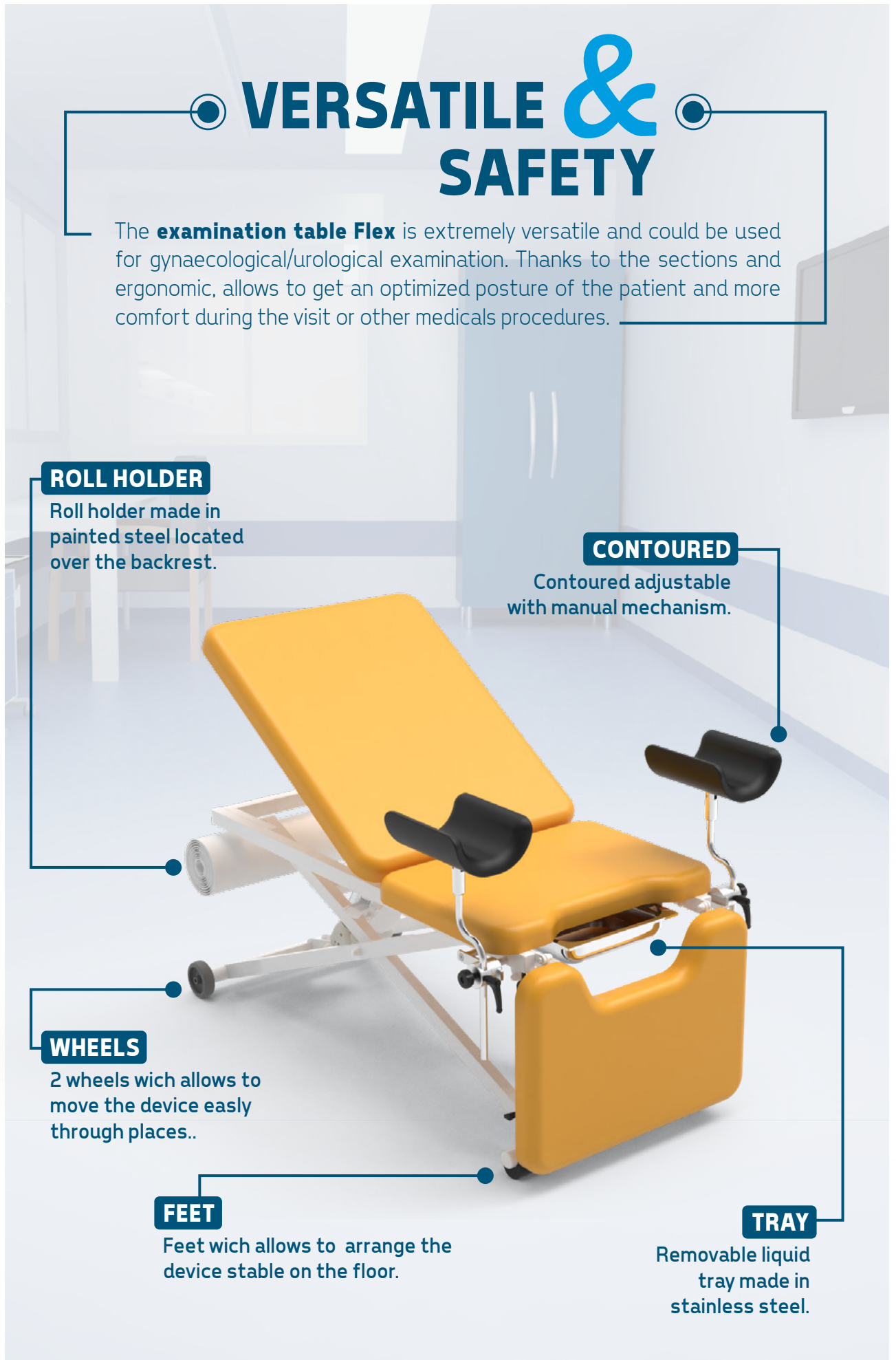
2 wheels wich allows to move the device easily through places..

FEET

Feet wich allows to arrange the device stable on the floor.

TRAY

Removable liquid tray made in stainless steel.





Standard features

- Examination gynecology/urologic table with variable electric height.
- Reinforced frame, made of steel painted with thermosetting epoxy powders enriched with antibacterial, color customization on request.
- Dimension of the top 1850 mm L - 650 mm P.
- Lying surface divided into 3 sections and 2 joints. Leg section with adjustable socket with gas spring. The leg section can also be folded with patient placed on the bed.
- Adjustable back section with piston (gas spring), manually actuated movement thanks to the lever on both sides, so as to have the most useful inclination to therapy.
- Adjustable height electrically, from the minimum height 580 mm to maximum height 830 mm, with excursion of 250 mm.
- Floor (80 mm high) composed of 3 cushions made of polyurethane with differentiated density. All the materials that make up the padding are honeycomb to ensure a high breathability.
- Upholstery in leatherette class 11M, a material that can be sanitized with common detergents and surgical medical devices, with antibacterial, antifungal and stain-resistant properties. Color customization on request - Equipment code AC87/1.
- Quick release of the backrest, to facilitate CPR maneuver - Equipment code AC8L.
- Contoured, 3D adjustable, soft and comfortable thigh support for patients - Equipment code AC110/1.
- Removable stainless steel tray, liquid tray - Equipment code AC155.
- 2 wheels and 2 feet adjustable in non-slip height.
- Perimeter control panel with 2 buttons for height control.
- Roll holder made in painted steel located over the backrest - Equipment code AC11.





VARIABLE ELECTRICAL HEIGHT

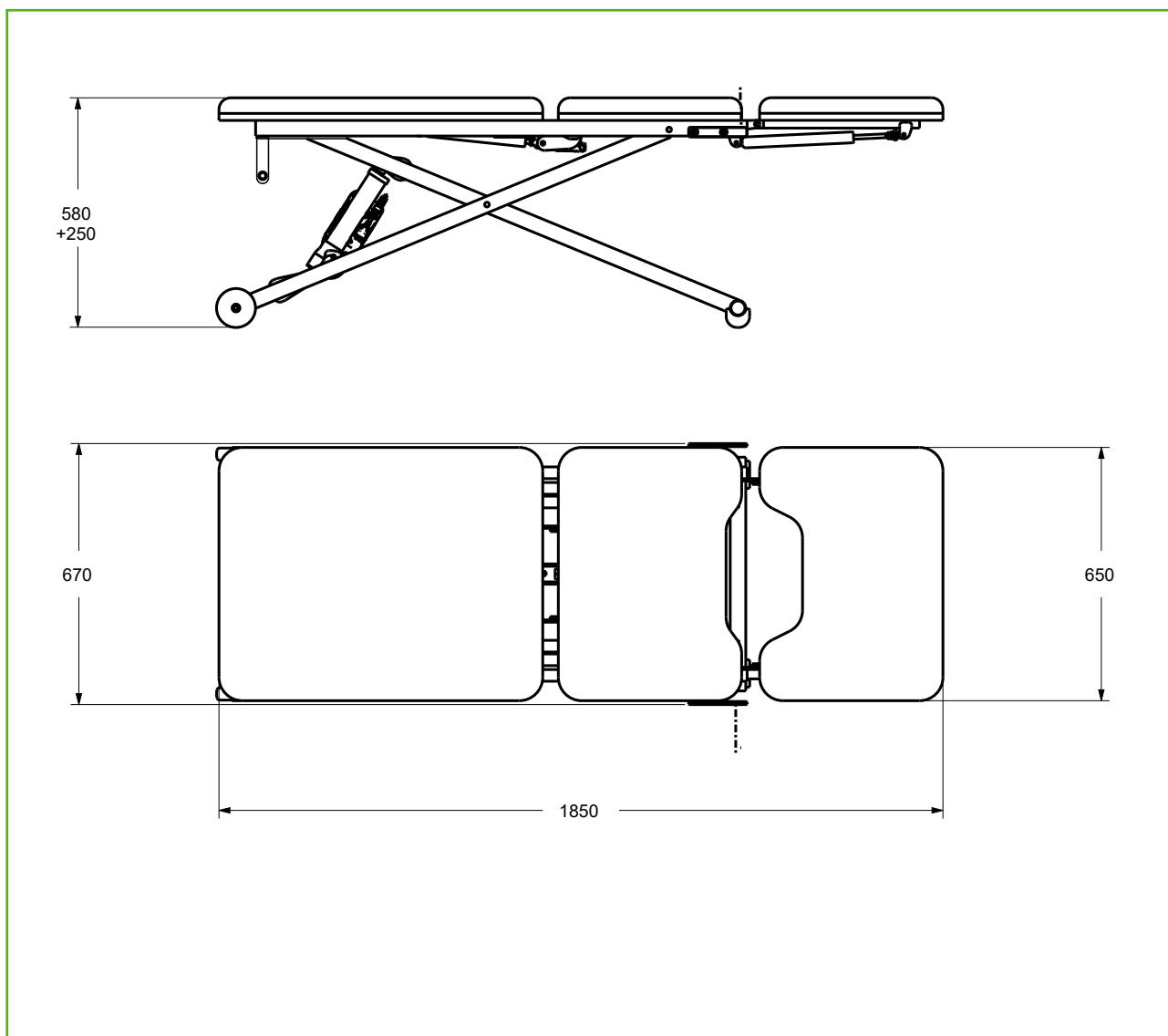


Do you want to improve the device?

Scan the QR code and find out all the available accessories on the **accessories chart**.



Dimensions



Would you like to customize the frame?

Scan or click the QR code and discover how to customize the device consulting our colour chart.



Would you like to customize the upholstery?

Scan or click the QR code and discover how to customize the device consulting our colour chart.



Technical sheet

| | |
|----------------------------|---------------------------------------|
| CND - EMDN Code | V080603 |
| GMDN Code | 34870 |
| N. progressive/R | 2402702/R |
| UDI-DI di base | 805771740LVISKK |
| Gardhen balance's code | GB0400.SP |
| Intended use | Examination gynecology/urologic table |
| Manufacturer | GARDHEN BILANCE SRL |
| Wheight | 70 kg |
| Control | Handset |
| Power | Multitension 100-240 Vac 50/60 Hz |
| Alimentazione con batterie | 24v - 4.5A |
| Electric motors | Low tension (24 V) |
| Max absorption | 4A |
| Insulation | IP44 |
| Max load | 200 kg |
| Safety working load | 235 kg |

Power cord type



Type F - Schuko



Type L - 16A



Type I - Australia



Type B - Canada and USA



Type G - UK plug

Gardhen Balance S.r.l.

Via G. Luraghi c/o Consorzio Il Sole - lotto S - 80038 Pomigliano d'Arco (NA) - Italia

Tel. +39.081.8692160 pbx - Fax +39.081.8692460

E-mail: info@gardhenbalance.it - PEC: gardhenbalance@pec.it

Visita il nostro sito www.gardhenbalance.it / Seguici su

The pictures provided in this document are purely indicative. The manufacturer reserves the right to make changes to the designs without prior notice. Refer to the accessories catalogue and/or sales proposals to identify the standard equipment and to select any additional components. In the event of discrepancies, the content of business proposals shall prevail. For regulatory references, please consult the user manual and the declaration of conformity.

Dep. EN_336 rev.07/02/2024