

Alex

Bed with integrated weighing system

HOSPITAL BEDS WITH
INTEGRATED SCALE

Frequent usage

All clinical areas
Dialysis
Intensive care unit



SEMI SIDE RAILS CONFIGURATION

italian

**DESIGN &
TECHNOLOGY**

around the world

MADE IN ITALY



www.gardhenbalance.it

RAILS

of different types available for the containment of the patient;

GB TOUCH

scale display for monitoring all data in real time;

LYING SURFACE

4 sections triple joint with thermoformed covers made of ABS;

BRAKING SYSTEM

Centralized with directional system activated by bilateral lever;

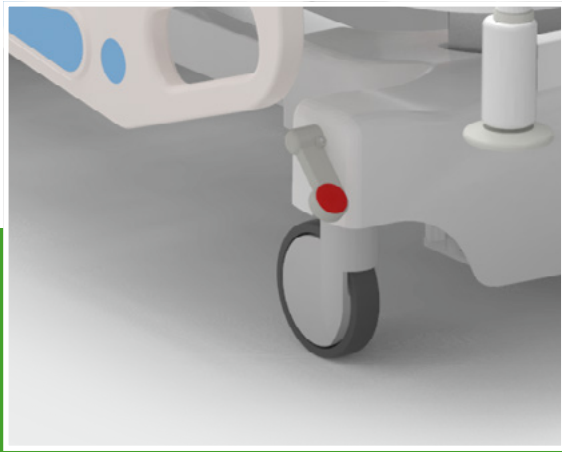
WHEELS

150 mm diameter, optimal for transport with patient on board; Directional system facilitates maneuverability;

HEAD AND FOOT PANELS

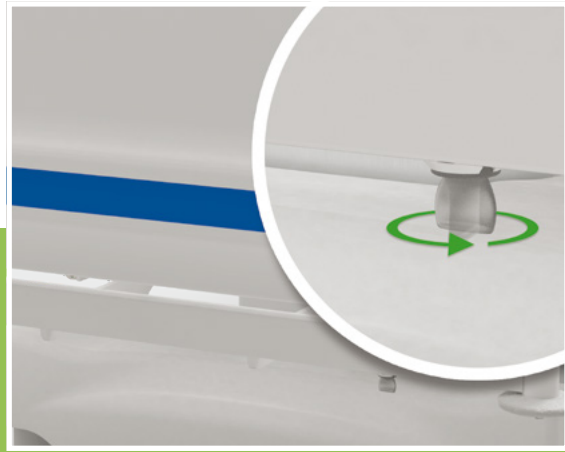
of different types and customizable upon request, equipped with anti-unthreading safety lock;





Braking system

Centralized directional braking system;
Operation is via bilateral anteroposterior pedals;
Equipment code AC7L2G



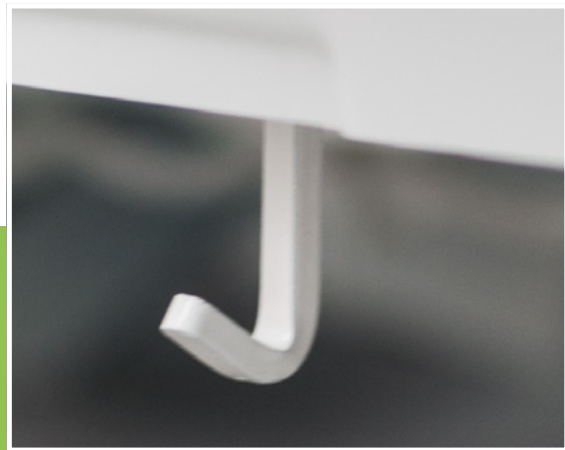
Safety mechanism

Headboard and footboard shoulders immediately removable by special mechanism, light and sturdy at the same time;



Quick backrest release

To facilitate the CPR maneuver in case of emergency;
Equipment code AC8L



Pair of bilateral bag hooks

Equipment code AC3L

Want to change the color of the frame?

Frame or click the QR code and find out how to customize the device by consulting our color cards*;

*If no preference is expressed, the device will be supplied with the available color;

Frame

Control Console - GB Touch

The device is equipped with a 10;1" HD Touch Screen Display with a 160° viewing angle useful for managing **all the movements of the device**; The GB Touch guarantees perfect visibility in all light conditions, thanks to its size and the technical features of the touch display;



MOVEMENTS AND FUNCTIONS

Sections movements:

- Back Section;
- Femoral Section;
- Allunghetto (optional);
- Trendelenburg and reverse;
- Trendelenburg;
- Simultaneous Back/Femoral Sections;
- Variable Height;
- Lateral Tilt (optional);
- Verticalisation (optional).

Memory functions:

- CPR;
- Trendelenburg;
- Position Examination;
- Cardiology Position;
- Input/Output Location;

Braking system:

- Motorized brake release (optional);
- Motorized brake release (optional);
- Directional (optional).

Control Panel

The device is equipped with a push-button panel for handling movements; The push-button panel is connected to the device by means of 3,5 m extendable spiral wire, and is intuitive and practical to use since it is equipped with embossed screen-printed pictograms that identify each movement that can be activated;



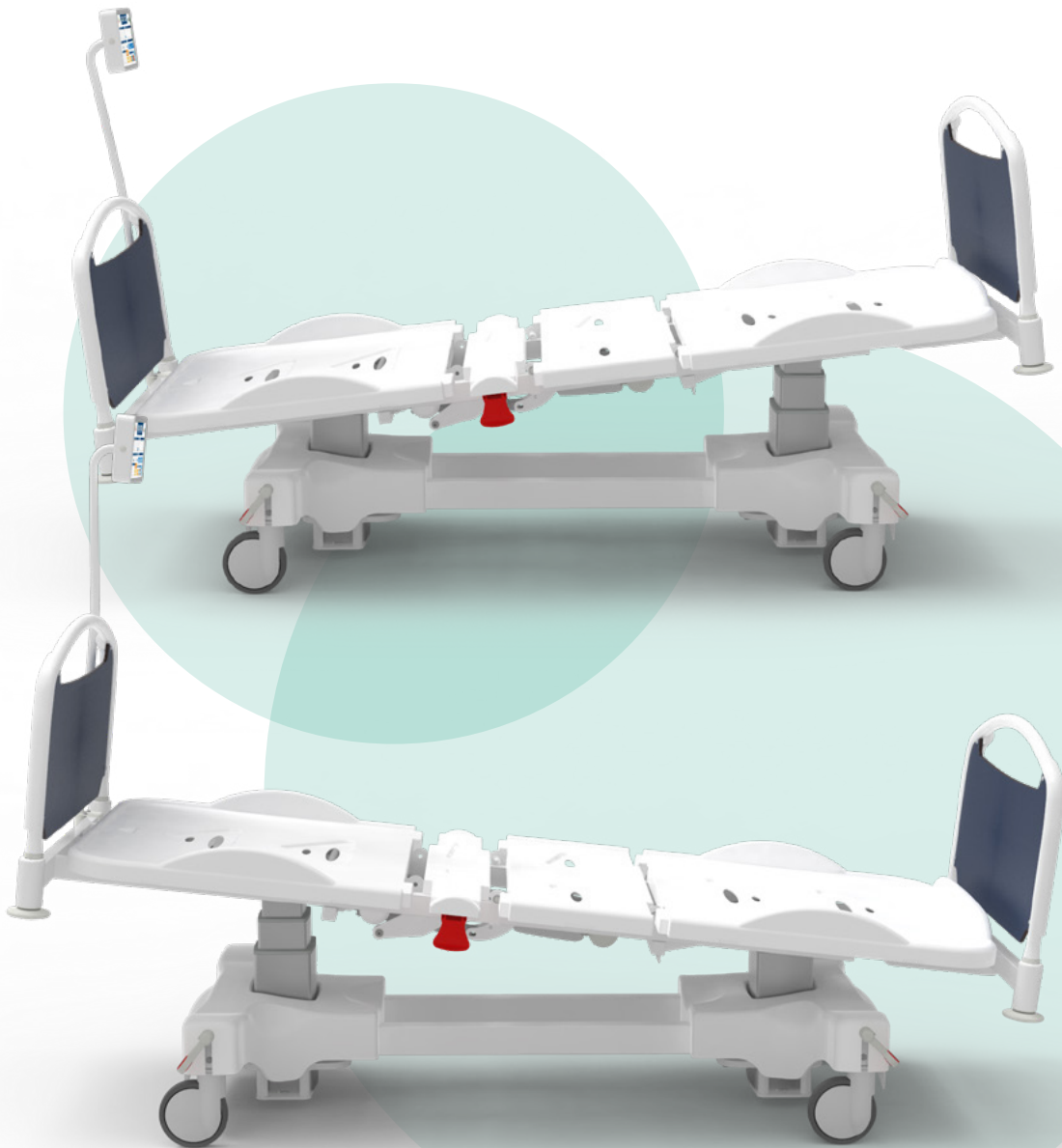
MOVEMENTS AND FUNCTIONS

Sections movements:

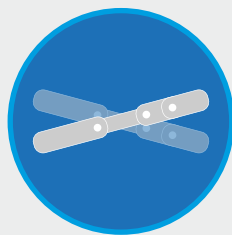
- Back Section;
- Femoral Section ;
- Simultaneous Back/Femoral Sections;
- Variable Height;
- Trendelenburg and reverse;
- Trendelenburg.

Movements

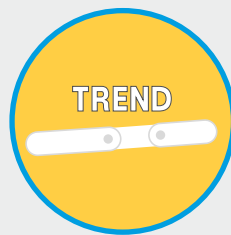
Trendelenburg and Reverse Trendelenburg



The Trendelenburg and reverse Trendelenburg position can be obtained by:



GB Touch



GB Touch
(memory function)



Handset

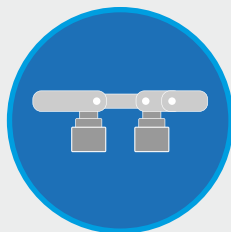
Movements

Variable Height

The bed is adjustable in height by means of motorized telescopic columns with a rectangular cross-section that allow the height of the top to be adjusted by up to + 400 mm excursion;



The adjustable height can be obtained by:



GB Touch



Handset

Movements

Seat/Cardiology Armchair

The bed assumes the position of “Cardiology Seat/Cardiac Armchair” by performing automatic rototranslation of the back section - Equipment code AC62;



The Seated/Cardiac chair position can be obtained by:

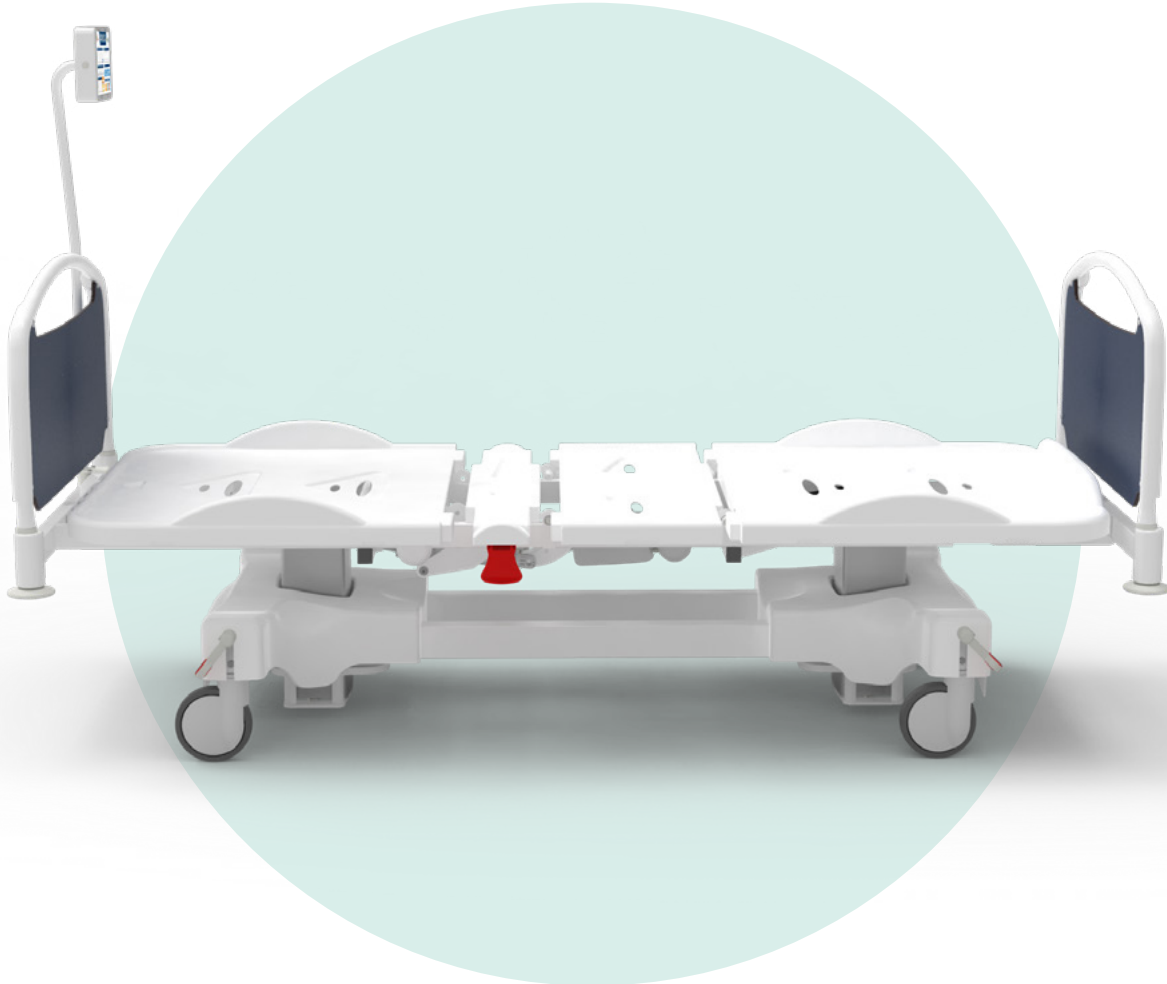


GB Touch
(memory function)

Movements

CPR position

The bed assumes the CPR position such a position can be obtained either manually by means of the appropriate bilateral levers - Equipment code AC8L, or electrically by using the electrical controls; This function is immediately accessible by the caregiver in order to obtain the emergency position and initiate CPR activities;



The CPR position can be obtained through:



GB Touch
(memory function)



Bilateral lever
(manual activation)

GB Touch

Scales Display and Control/Management Console

The device is equipped with a 10;1" HD Touch Screen Display with 160° viewing angle useful for managing the **integrated weighing system** and **all device movements**;



Scales display equipped with graphical interface for managing the weighing system;



In addition, the display is designed to be integral to the bed frame/frame and always be visible in the multiple modes of use;

Features of GB Touch

- Power on via Soft Touch button;
- Movement management;
- Low voltage power supply;
- Plastic indicator box with IP65 insulation;
- Battery status indicator;
- Display lighting control;
- Screen saver;
- Night mode;
- Smart functions;
- Full control via GBSmart app for Android/iOs/Windows;
- Scheduled maintenance setting;
- Language setting: Italian - English - French - Spanish - German;
- Digital protection against accidental or unwanted access;
- Back lighting management (in the presence of optional AC185 components);



Weighing system features and functionality

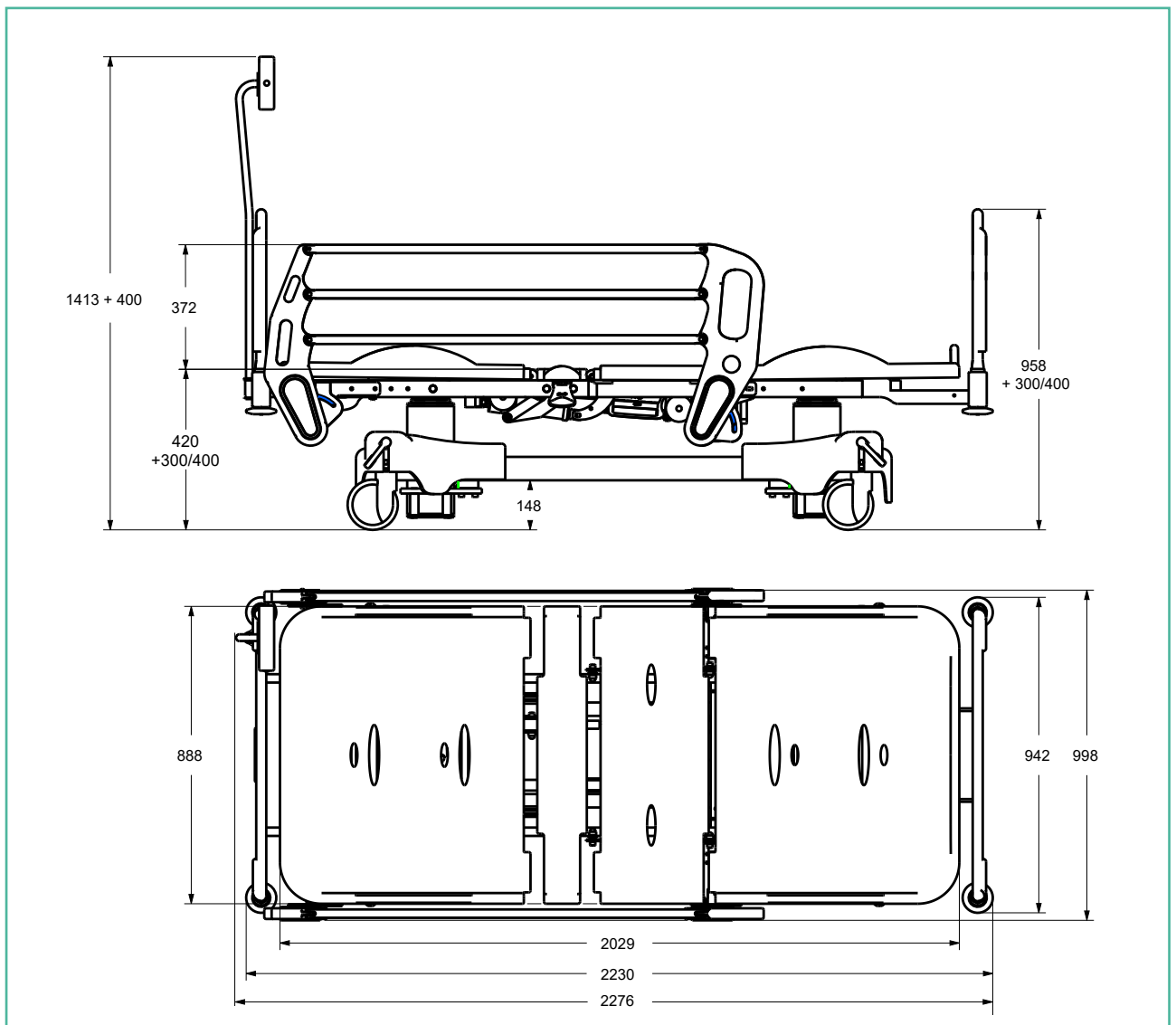
- Weight reading via 10.1" HD touch screen display;
- Patient master data;
- Patient location indication;
- Tare: automatic and manual always visible;
- Unit indicator: unit of measure selectable between kg and lb;
- 200/300 kg capacity;
- Automatic double scale display minimum division:
50g up to 150 kg and 100g from 150 kg up to 200/300 kg;
- Converter: 24bit, 10,000 divisions;
- Weight drop and patient descent alarms;
- Access log;
- Remote parameter control;
- Automatic data transmission to enabled ports;
- 10/100 Ethernet port;
- On request: Wi-Fi/Bluetooth combo module - USB A port for weight data transmission - USB B port for external printer connection - RS-232 port - RS-485 port;



For more information about the GB Touch

Frame or click the QR code button and find out all the features and potential of the display;

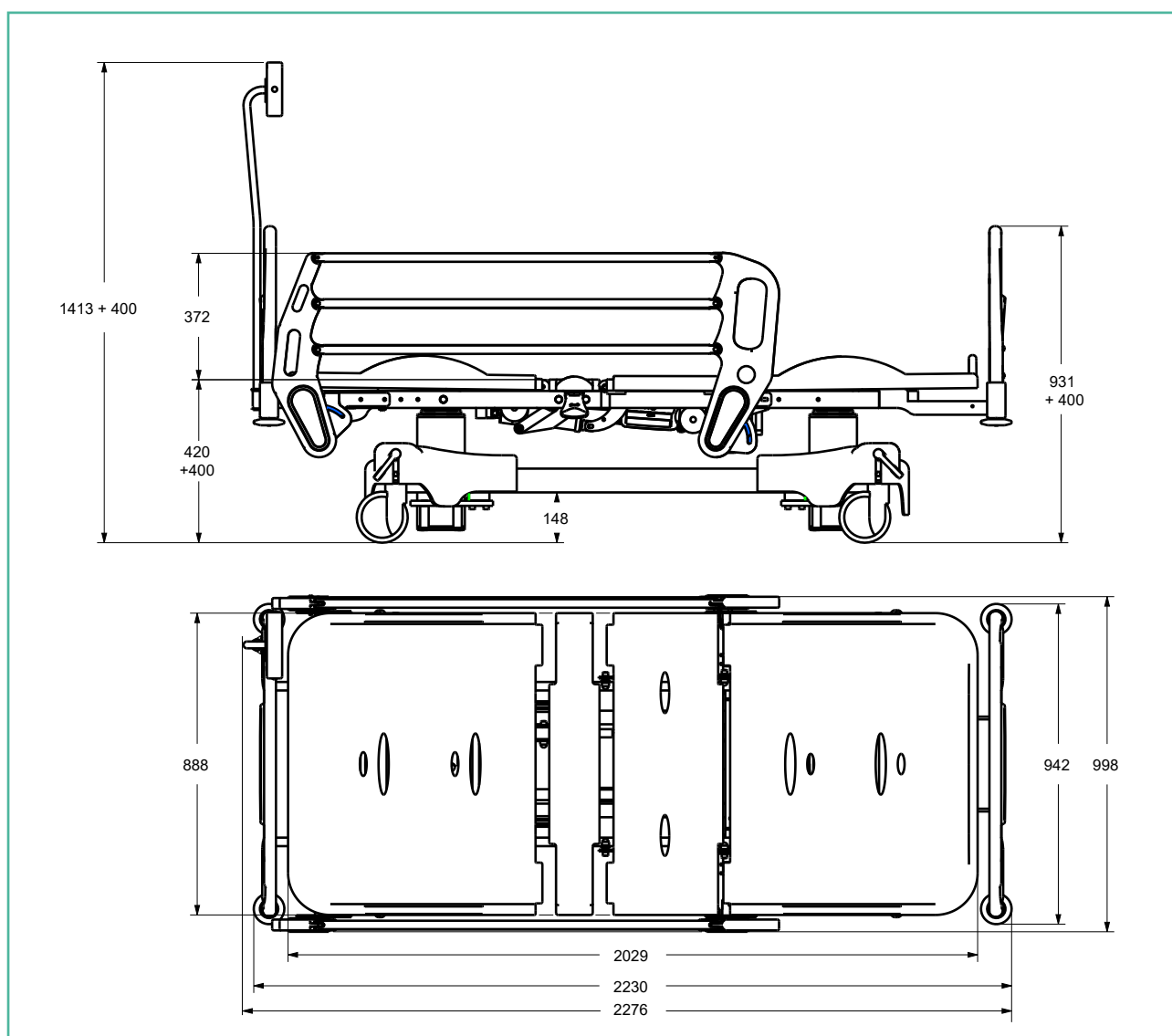
With panels AC65 and side rails AC21/1



Standard features

- Lying surface with a height of 420 mm, divided into 4 sections with triple articulation and removable and easily sanitized ABS thermoforms;
- Motorized back section;
- Motorized femoral section;
- Leg section servo-assisted by gas springs synchronous to the movement of the femoral section;
- Variable height via motorized columns;
- Motorized Trendelenburg and reverse Trendelenburg via rectangular-section telescopic columns;
- Synchronous backrest translation of 11 cm to limit abdominal compression;
- Cardiology position - Equipment code AC62;
- Quick release of the backrest to facilitate the CPR maneuver - Equipment code AC8L;
- Low-voltage electric motors of the anti-crushing type with spline system;
- Thermosetting epoxy powder coating;
- Equipotential node;
- HPL panels - Equipment code AC65;
- Provision for pair of side rails with compass - Equipment code AC21/S;
- **Integrated side rails useful for total containment of the patient with vertical descent and lowering movement to the bed platform - Accessory code AC21/I;**
- 4 Perimeter bumpers;
- Non-marking swivel casters with 150 mm diameter;
- Pair of bilateral bag holder hooks - Equipment code AC3L;
- Centralized directional braking system; Operated by bilateral anteroposterior pedals - Equipment code AC7L2G;
- Emergency battery - Equipment code AC17L;
- Cable reel - Equipment code AC50L;
- Push-button panel 10 keys, movements are controlled by perimeter push-button panel equipped with 3,5 m spiral cable; The hand control is easy to use as it is made with large raised pictograms and is also suitable for visually impaired patients; IP66 insulation;
- For patient safety, the hand control is equipped with a key for control inhibition - Equipment code AC34L;
- Touch screen display at the head of the bed - Equipment code AC167;
- Integrated weighing system;

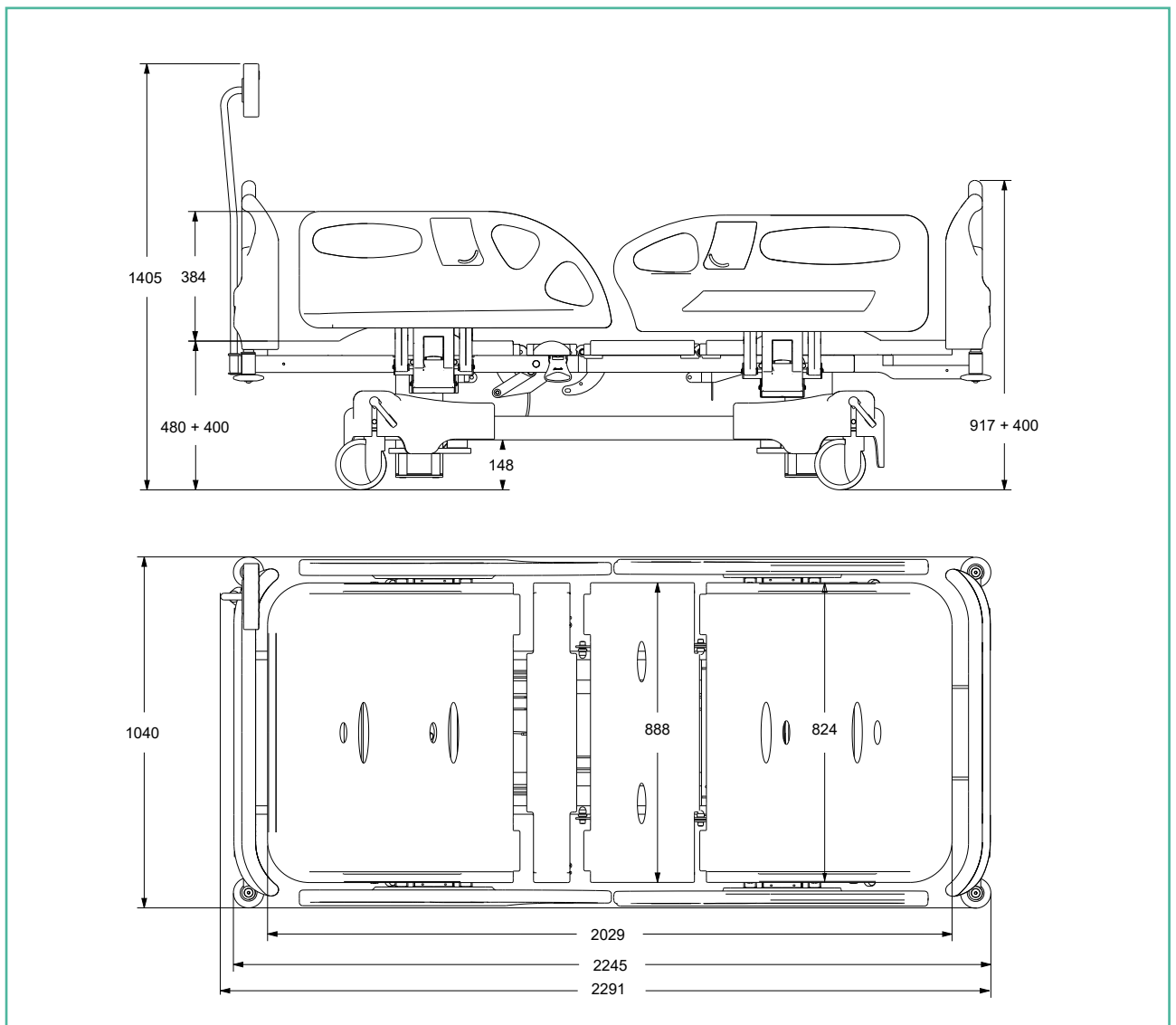
With panels AC65/2 and side rails AC21/1



Standard features

- Lying surface with a height of 420 mm, divided into 4 sections with triple articulation and removable and easily sanitized ABS thermoforms;
- Motorized back section;
- Motorized femoral section;
- Leg section servo-assisted by gas springs synchronous to the movement of the femoral section;
- Variable height via motorized columns;
- Motorized Trendelenburg and reverse Trendelenburg via rectangular-section telescopic columns;
- Synchronous backrest translation of 11 cm to limit abdominal compression;
- Cardiology position - Equipment code AC62;
- Quick release of the backrest to facilitate the CPR maneuver - Equipment code AC8L;
- Low-voltage electric motors of the anti-crushing type with spline system;
- Thermosetting epoxy powder coating;
- Equipotential node;
- Technopolymer panels - Equipment code AC65/2;
- Arrangement for pair of side rails with compass - Equipment code AC21/S;
- **Integrated side rails useful for total containment of the patient with vertical descent and lowering movement to the bed platform - Accessory code AC21/I;**
- 4 Perimeter bumpers;
- Non-marking swivel casters with 150 mm diameter;
- Pair of bilateral bag holder hooks - Equipment code AC3L;
- Centralized directional braking system; Operated by bilateral anteroposterior pedals - Equipment code AC7L2G;
- Emergency battery - Equipment code AC17L;
- Cable reel - Equipment code AC50L;
- Push-button panel 10 keys, movements are controlled by perimeter push-button panel equipped with 3,5 m spiral cable; The hand control is easy to use as it is made with large raised pictograms and is also suitable for visually impaired patients; IP66 insulation;
- For patient safety, the hand control is equipped with a key for control inhibition - Equipment code AC34L;
- Touch screen display at the head of the bed - Equipment code AC167;
- Integrated weighing system;

With panels AC65/3 and semi-side rails AC71



Standard features

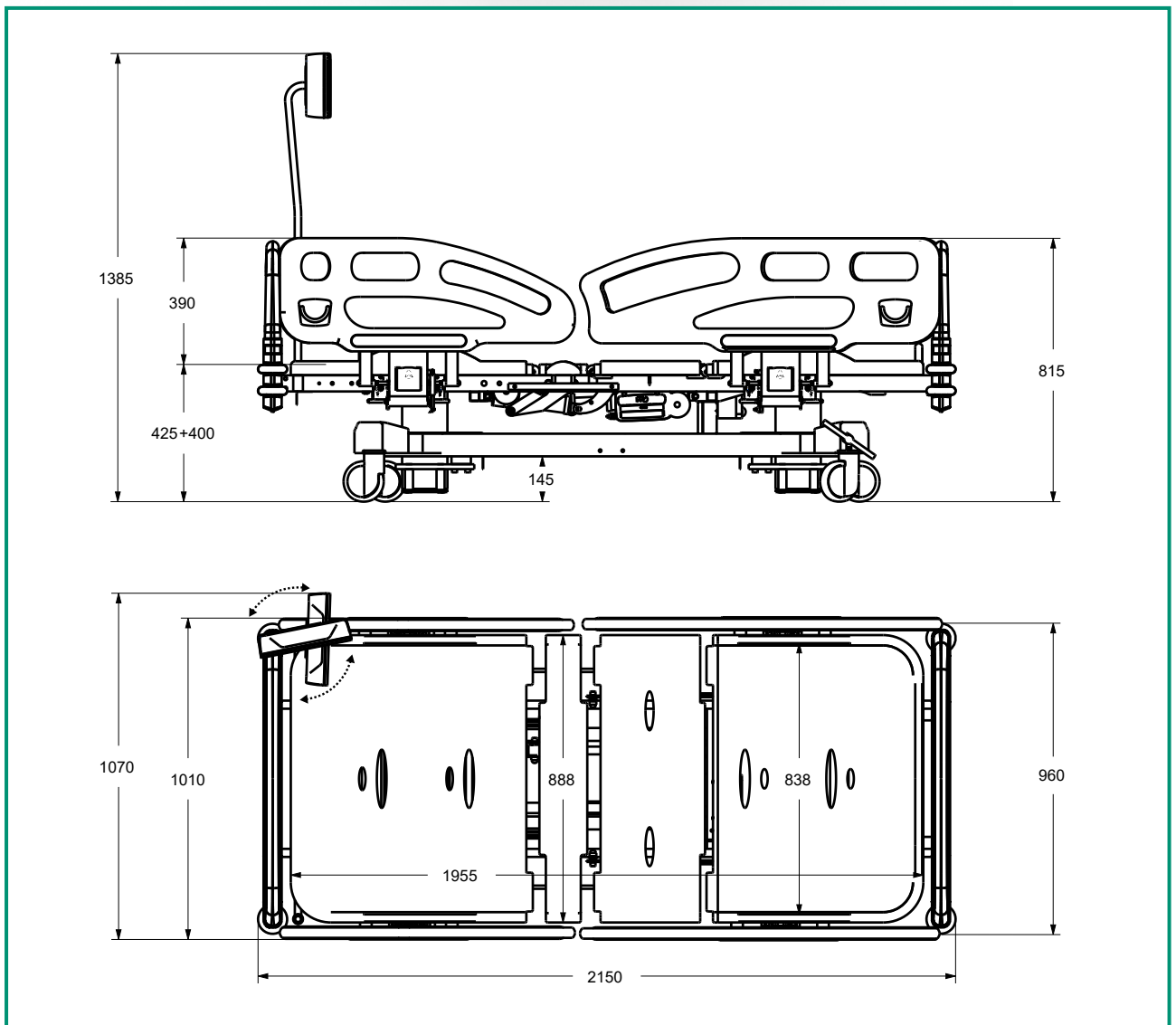
- Lying surface with a height of 480 mm, divided into 4 sections with triple articulation and removable and easily sanitized ABS thermoforms;
- Motorized back section;
- Motorized femoral section;
- Leg section servo-assisted by gas springs synchronous to the movement of the femoral section;
- Variable height via motorized columns;
- Motorized Trendelenburg and reverse Trendelenburg via rectangular-section telescopic columns;
- Synchronous backrest translation of 11 cm to limit abdominal compression;
- Cardiology position - Equipment code AC62;
- Quick release of the backrest to facilitate the CPR maneuver - Equipment code AC8L;
- Low-voltage electric motors of the anti-crushing type with spline system;
- Thermosetting epoxy powder coating;
- Equipotential node;
- Technopolymer panels - Equipment code AC65/3;
- Arrangement for pair of side rails with compass - Equipment code AC21/S and for pair of retractable side rails - Equipment code AC71/S;
- **Vertical ABS retractable side rails with two sections per side (half-sections) for total patient restraint with vertical lowering system and power-assisted lowering movement - Accessory code AC71;**
- 4 Perimeter bumpers;
- Non-marking swivel casters with 150 mm diameter;
- Pair of bilateral bag holder hooks - Equipment code AC3L;
- Centralized directional braking system; Operated by bilateral anteroposterior pedals - Equipment code AC7L2G;
- Emergency battery - Equipment code AC17L;
- Cable reel - Equipment code AC50L;
- Push-button panel 10 keys, movements are controlled by perimeter push-button panel equipped with 3,5 m spiral cable; The hand control is easy to use as it is made with large raised pictograms and is also suitable for visually impaired patients; IP66 insulation;
- For patient safety, the hand control is equipped with a key for control inhibition - Equipment code AC34L;
- Touch screen display at the head of the bed - Equipment code AC167;
- Integrated weighing system;

With KIT AC220

(Semi-side rails AC71/1 - Panels AC65/5 - AC164 Rotating GB Touch Display)



SMALL
length



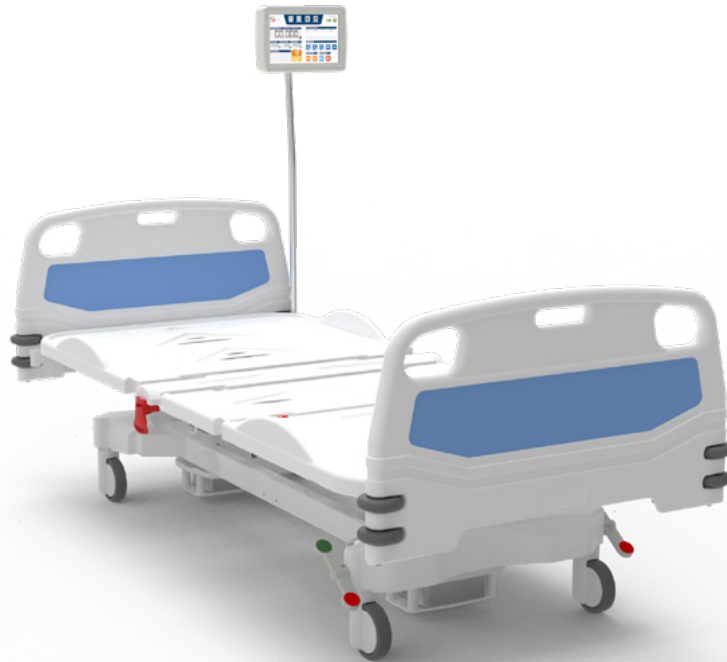
SMALL

length

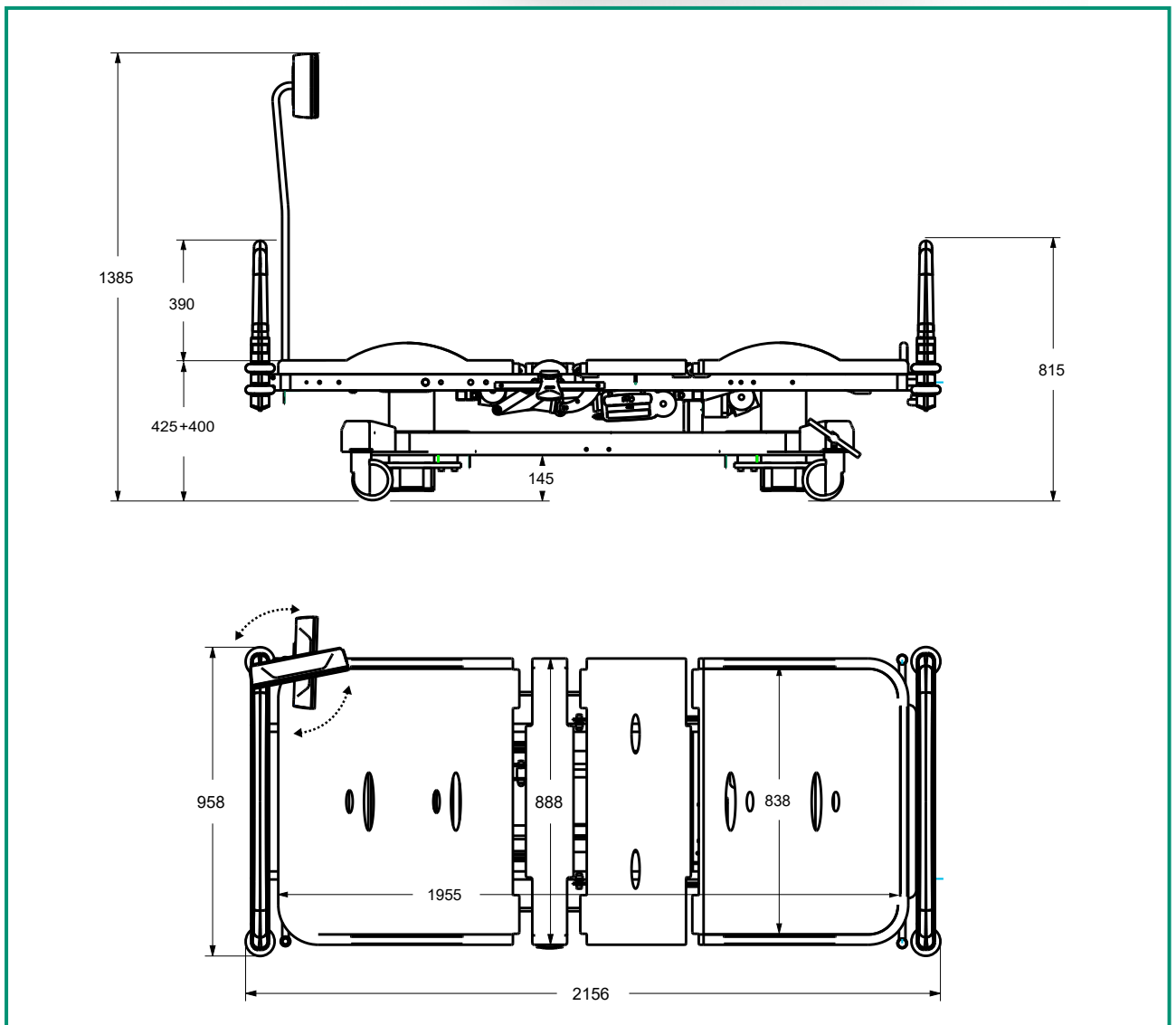
Standard features

- **Shortened length of 2150 mm;**
- **'Small length' configuration kit - Equipment code AC220:**
 - Vertical ABS retractable side rails with two sections per side (half-sections) for total patient restraint with vertical lowering system and power-assisted lowering movement - Equipment code AC71/1;
 - Technopolymer panels - Equipment code AC65/5;
 - Display with a 90° swivel mechanism - Equipment code AC164;
- Lying surface with a height of 425 mm, divided into 4 sections with triple articulation and removable and easily sanitized ABS thermoforms;
- Motorized back section;
- Motorized femoral section;
- Leg section servo-assisted by gas springs synchronous to the movement of the femoral section;
- Variable height via motorized columns;
- Motorized Trendelenburg and reverse Trendelenburg via rectangular-section telescopic columns;
- Synchronous backrest translation of 11 cm to limit abdominal compression;
- Cardiology position - Equipment code AC62;
- Quick release of the backrest to facilitate the CPR maneuver - Equipment code AC8L;
- Low-voltage electric motors of the anti-crushing type with spline system;
- Thermosetting epoxy powder coating;
- Equipotential node;
- 8 Perimeter bumpers;
- Non-marking swivel casters with 150 mm diameter;
- Pair of bilateral bag holder hooks - Equipment code AC3L;
- Centralized directional braking system; Operated by bilateral anteroposterior pedals - Equipment code AC7L2G;
- Emergency battery - Equipment code AC17L;
- Cable reel - Equipment code AC50L;
- Push-button panel 10 keys, movements are controlled by perimeter push-button panel equipped with 3;5 m spiral cable; The hand control is easy to use as it is made with large raised pictograms and is also suitable for visually impaired patients; IP66 insulation;
- For patient safety, the hand control is equipped with a key for control inhibition - Equipment code AC34L;
- Touch screen display at the head of the bed - Equipment code AC167;
- Integrated weighing system;

With KIT AC220/1
 (Panels AC65/5 - AC164 Rotating GB Touch Display)



SMALL
 length



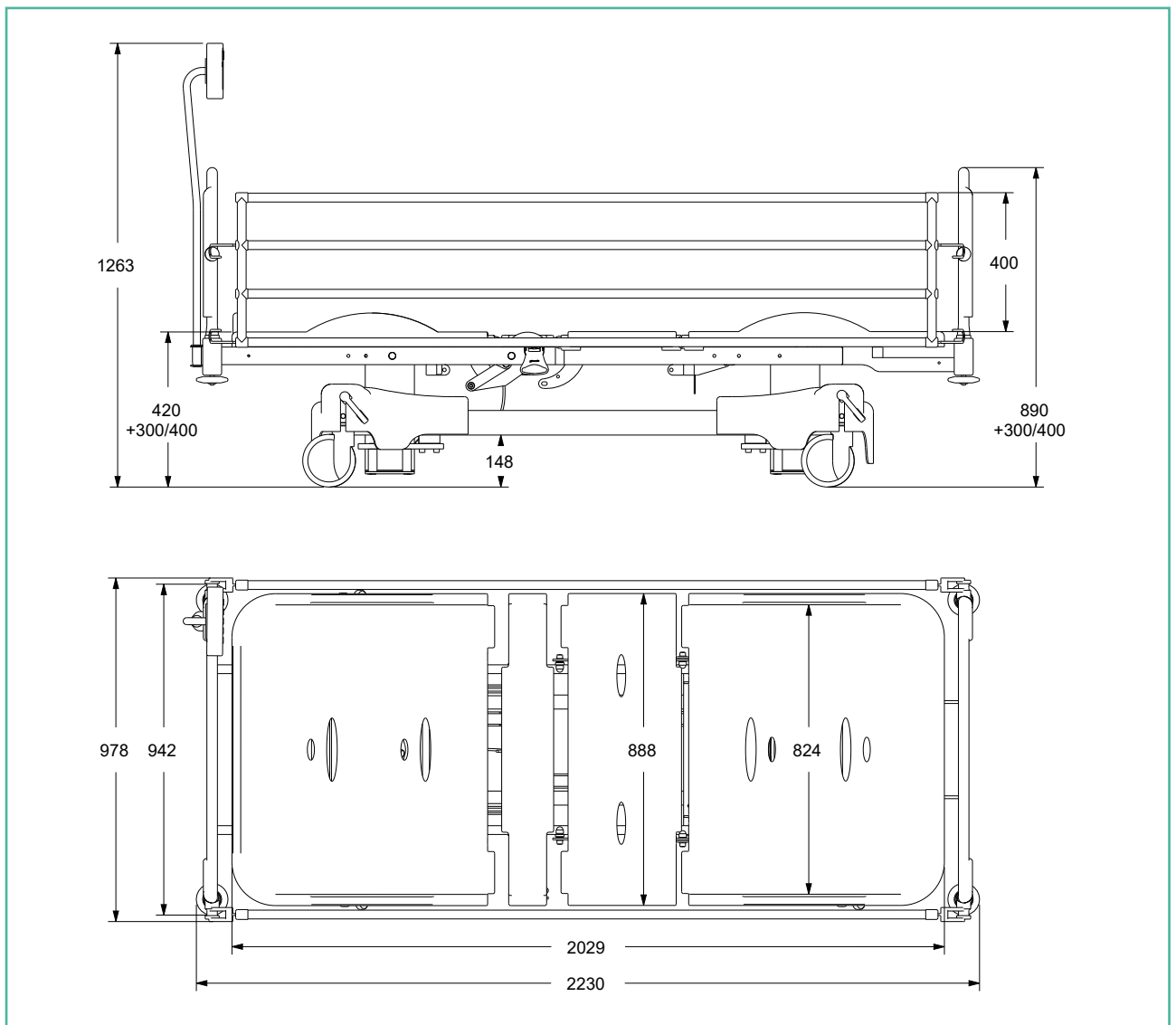
SMALL

length

Standard features

- **Shortened length of 2150 mm;**
- **'Small length' configuration kit - Equipment code AC220/1:**
 - Technopolymer panels - Equipment code AC65/5;
 - Display with a 90° swivel mechanism - Equipment code AC164;
- Lying surface with a height of 425 mm, divided into 4 sections with triple articulation and removable and easily sanitized ABS thermoforms;
- Motorized back section;
- Motorized femoral section;
- Leg section servo-assisted by gas springs synchronous to the movement of the femoral section;
- Variable height via motorized columns;
- Motorized Trendelenburg and reverse Trendelenburg via rectangular-section telescopic columns;
- Synchronous backrest translation of 11 cm to limit abdominal compression;
- Cardiology position - Equipment code AC62;
- Quick release of the backrest to facilitate the CPR maneuver - Equipment code AC8L;
- Low-voltage electric motors of the anti-crushing type with spline system;
- Thermosetting epoxy powder coating;
- Equipotential node;
- 8 Perimeter bumpers;
- Non-marking swivel casters with 150 mm diameter;
- Pair of bilateral bag holder hooks - Equipment code AC3L;
- Centralized directional braking system; Operated by bilateral anteroposterior pedals - Equipment code AC7L2G;
- Emergency battery - Equipment code AC17L;
- Cable reel - Equipment code AC50L;
- Push-button panel 10 keys, movements are controlled by perimeter push-button panel equipped with 3,5 m spiral cable; The hand control is easy to use as it is made with large raised pictograms and is also suitable for visually impaired patients; IP66 insulation;
- For patient safety, the hand control is equipped with a key for control inhibition - Equipment code AC34L;
- Touch screen display at the head of the bed - Equipment code AC167;
- Integrated weighing system;

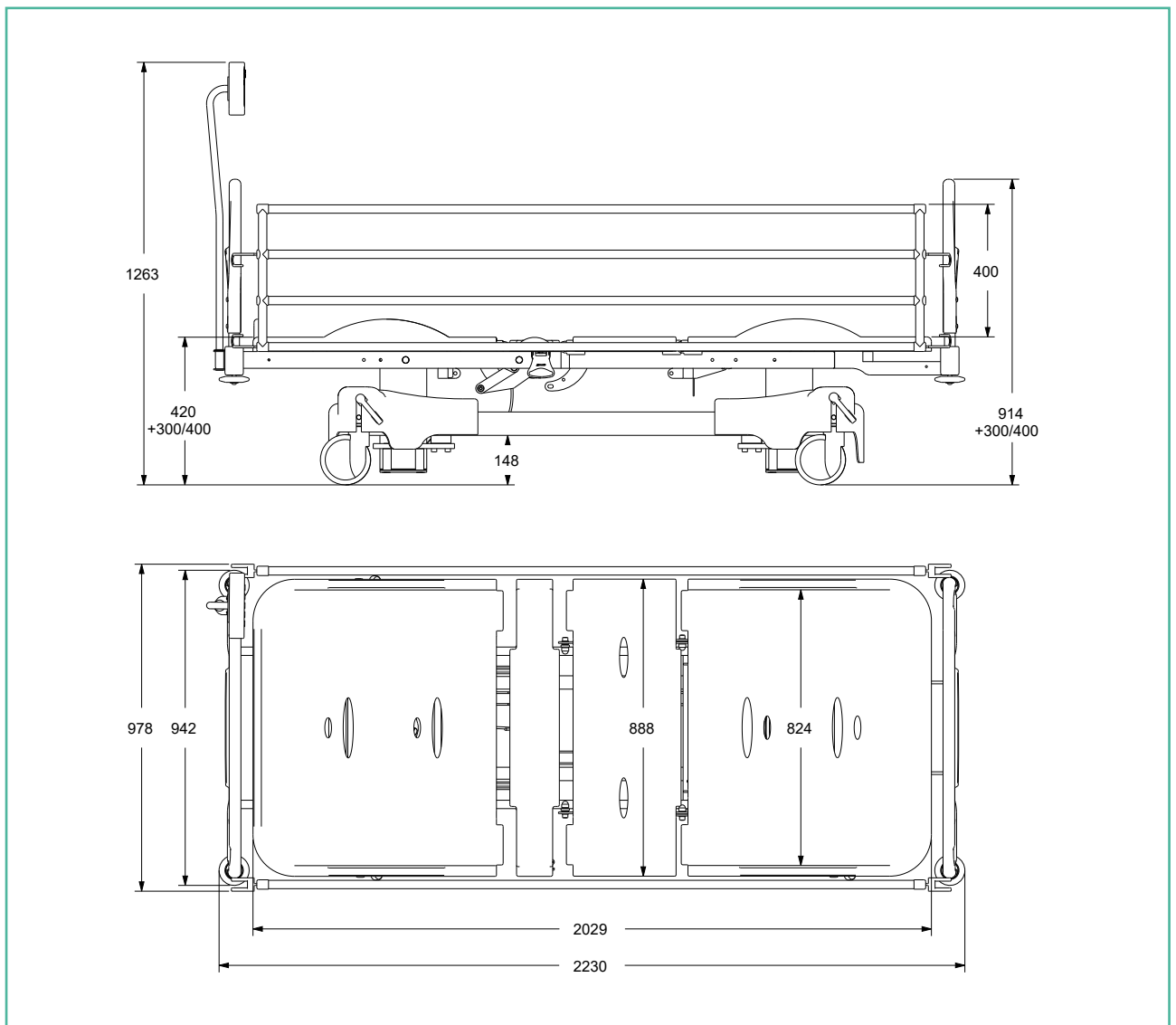
With panels AC65 and side rails AC20



Standard features

- Lying surface with a height of 420 mm, divided into 4 sections with triple articulation and removable and easily sanitized ABS thermoforms;
- Motorized back section;
- Motorized femoral section;
- Leg section servo-assisted by gas springs synchronous to the movement of the femoral section;
- Variable height via motorized columns;
- Motorized Trendelenburg and reverse Trendelenburg via rectangular-section telescopic columns;
- Synchronous backrest translation of 11 cm to limit abdominal compression;
- Cardiology position - Equipment code AC62;
- Quick release of the backrest to facilitate the CPR maneuver - Equipment code AC8L;
- Low-voltage electric motors of the anti-crushing type with spline system;
- Thermosetting epoxy powder coating;
- Equipotential node;
- HPL panels - Equipment code AC65;
- Arrangement for pair of side rails with compass - Equipment code AC21/S;
- **Removable side rails - Accessory code AC20;**
- 4 Perimeter bumpers;
- Non-marking swivel casters with 150 mm diameter;
- Pair of bilateral bag holder hooks - Equipment code AC3L;
- Centralized directional braking system; Operated by bilateral anteroposterior pedals - Equipment code AC7L2G;
- Emergency battery - Equipment code AC17L;
- Cable reel - Equipment code AC50L;
- Push-button panel 10 keys, movements are controlled by perimeter push-button panel equipped with 3;5 m spiral cable; The hand control is easy to use as it is made with large raised pictograms and is also suitable for visually impaired patients; IP66 insulation;
- For patient safety, the hand control is equipped with a key for control inhibition - Equipment code AC34L;
- Touch screen display at the head of the bed - Equipment code AC167;
- Integrated weighing system;

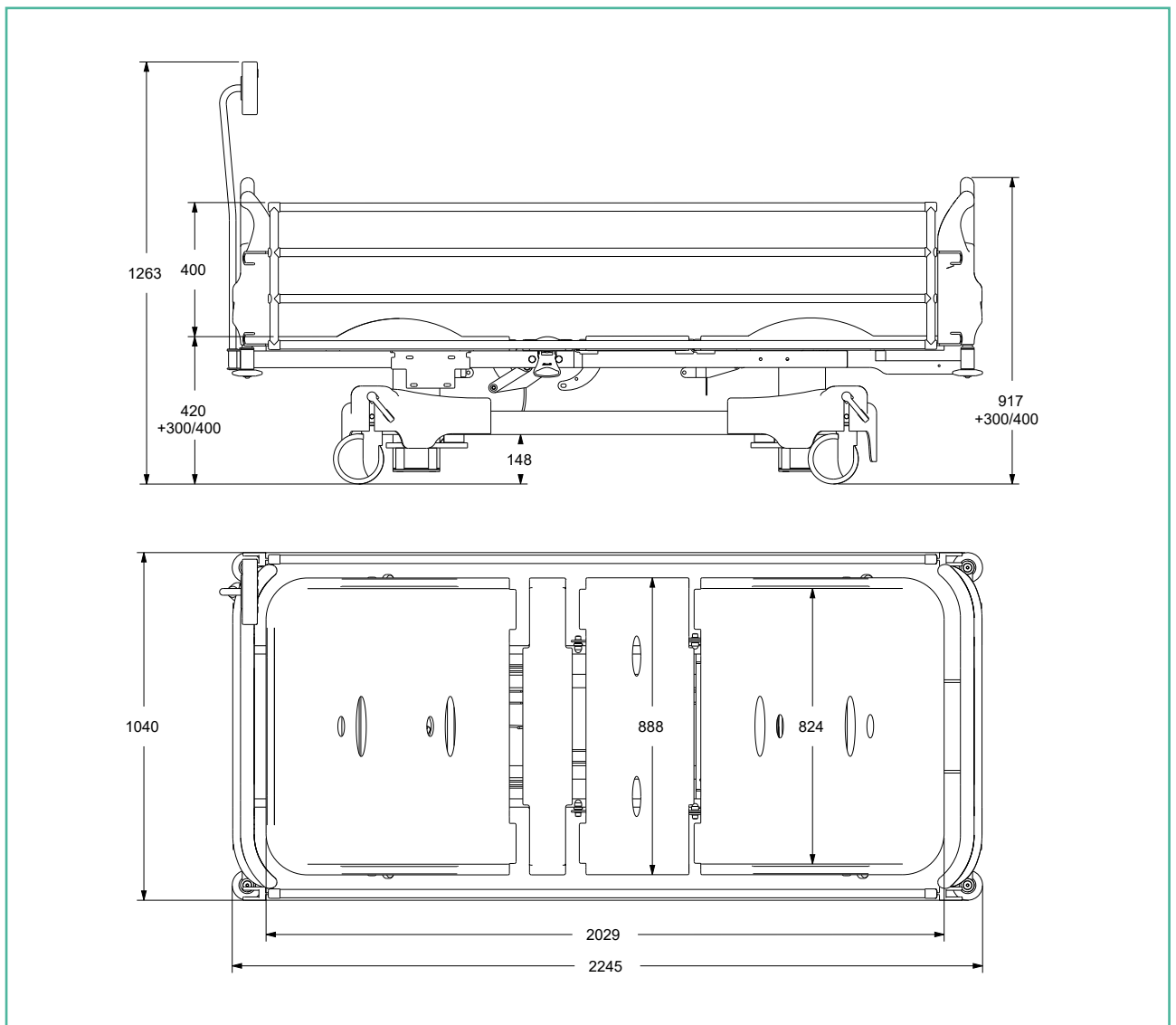
With panels AC65/2 and side rails AC20



Standard features

- Lying surface with a height of 420 mm, divided into 4 sections with triple articulation and removable and easily sanitized ABS thermoforms;
- Motorized back section;
- Motorized femoral section;
- Leg section servo-assisted by gas springs synchronous to the movement of the femoral section;
- Variable height via motorized columns;
- Motorized Trendelenburg and reverse Trendelenburg via rectangular-section telescopic columns;
- Synchronous backrest translation of 11 cm to limit abdominal compression;
- Cardiology position - Equipment code AC62;
- Quick release of the backrest to facilitate the CPR maneuver - Equipment code AC8L;
- Low-voltage electric motors of the anti-crushing type with spline system;
- Thermosetting epoxy powder coating;
- Equipotential node;
- Technopolymer panels - Equipment code AC65/2;
- Arrangement for pair of side rails with compass - Equipment code AC21/S;
- **Removable side rails - Accessory code AC20;**
- 4 Perimeter bumpers;
- Non-marking swivel casters with 150 mm diameter;
- Pair of bilateral bag holder hooks - Equipment code AC3L;
- Centralized directional braking system; Operated by bilateral anteroposterior pedals - Equipment code AC7L2G;
- Emergency battery - Equipment code AC17L;
- Cable reel - Equipment code AC50L;
- Push-button panel 10 keys, movements are controlled by perimeter push-button panel equipped with 3;5 m spiral cable; The hand control is easy to use as it is made with large raised pictograms and is also suitable for visually impaired patients; IP66 insulation;
- For patient safety, the hand control is equipped with a key for control inhibition - Equipment code AC34L;
- Touch screen display at the head of the bed - Equipment code AC167;
- Integrated weighing system;

With panels AC65/3 and side rails AC20



Standard features

- Lying surface with a height of 420 mm, divided into 4 sections with triple articulation and removable and easily sanitized ABS thermoforms;
- Motorized back section;
- Motorized femoral section;
- Leg section servo-assisted by gas springs synchronous to the movement of the femoral section;
- Variable height via motorized columns;
- Motorized Trendelenburg and reverse Trendelenburg via rectangular-section telescopic columns;
- Synchronous backrest translation of 11 cm to limit abdominal compression;
- Cardiology position - Equipment code AC62;
- Quick release of the backrest to facilitate the CPR maneuver - Equipment code AC8L;
- Low-voltage electric motors of the anti-crushing type with spline system;
- Thermosetting epoxy powder coating;
- Equipotential node;
- Technopolymer panels - Equipment code AC65/3;
- Arrangement for pair of side rails with compass - Equipment code AC21/S;
- **Removable side rails - Accessory code AC20;**
- 4 Perimeter bumpers;
- Non-marking swivel casters with 150 mm diameter;
- Pair of bilateral bag holder hooks - Equipment code AC3L;
- Centralized directional braking system; Operated by bilateral anteroposterior pedals - Equipment code AC7L2G;
- Emergency battery - Equipment code AC17L;
- Cable reel - Equipment code AC50L;
- Push-button panel 10 keys, movements are controlled by perimeter push-button panel equipped with 3,5 m spiral cable; The hand control is easy to use as it is made with large raised pictograms and is also suitable for visually impaired patients; IP66 insulation;
- For patient safety, the hand control is equipped with a key for control inhibition - Equipment code AC34L;
- Touch screen display at the head of the bed - Equipment code AC167;
- Integrated weighing system;

Supervisor Panel

The medical device, upon request, can be equipped with an operator panel (accessory code AC68/3), normally attached to the foot of the bed, for the management of movements and stored positions; Finally, the operator panel has the possibility, if necessary, to inhibit can partially or totally inhibit the patient hand control in order to prevent risks/hazards to the patient himself; Simply turn the appropriate control to activate/deactivate function;



MOVEMENTS AND FUNCTIONS

Section movements:

- Drive movements: backrest, femoral, autoconture, variable height, trendelenburg and reverse trendelenburg.

Memory functions:

- Automatic positioning in optimal condition to perform CPR maneuver;
- Automatic positioning in trendelenburg condition;
- Automatic positioning in auto-conture condition (chair position).

Safety functions:

- Partial and/or total enabling and disabling of the patient-reserved hand control.

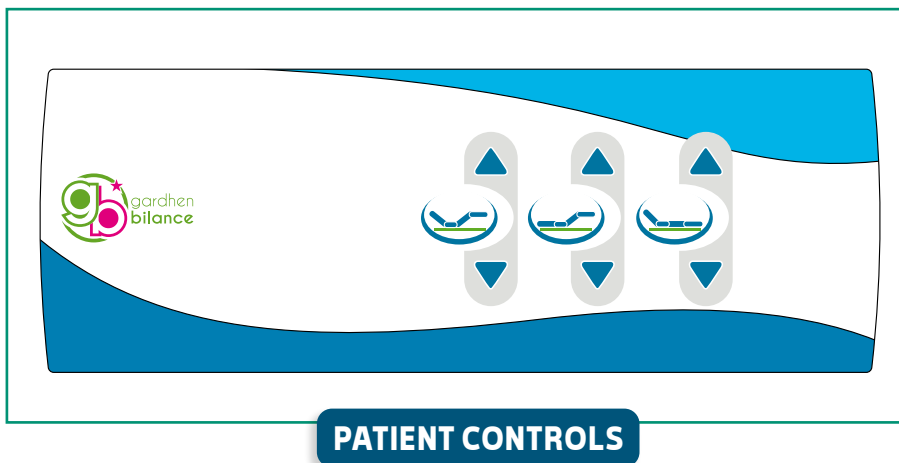
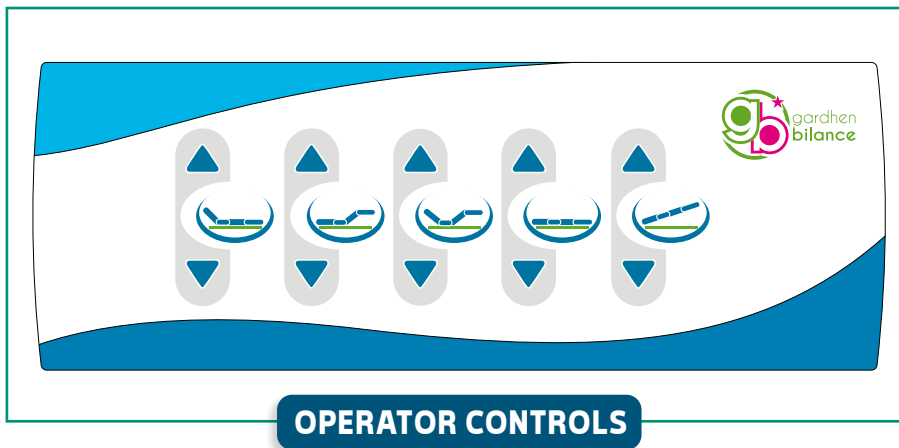


Do you want to improve the device?

Scan the QR Code to find out all the available accessories listed on our catalogue;

Controls integrated in the semi-side rails

The medical device, upon request, can be equipped with patient (accessory code AC68/4) and operator controls (accessory code AC68/5) **integrated into the AC71 semi-side rails**, which allow for the management of stored movements and positions; Finally, the controls integrated into the half-pads for operator use have the option of partially or totally inhibiting patient controls in order to prevent risks/hazards to the patient;



MOVEMENTS AND FUNCTIONS

Operator controls:

- Back section;
- Simultaneous back/femoral sections;
- Femoral section;
- Variable height;
- Trendelenburg and reverse Trendelenburg.

Patient controls:

- Back section;
- Simultaneous back/femoral sections;
- Femoral section.

Other features of the medical device

- Frame made of extremely durable steel painted with thermosetting epoxy powders, enriched with antibacterial and antimicrobial;
- Ergonomic mesh top divided into sections, which are protected by thermoformed technopolymer cover easily removable when needed;
- Height of the network top functional to facilitate patient access; In addition, the presence of motorized columns guarantees unparalleled stability conditions;
- Bed structure without accumulation points for immediate and effective sanitization of the device with all commonly used detergents;
- Immediately removable headboard and footboard shoulders by means of special mechanism, light and sturdy at the same time;
- Provision for side protection systems (see standard equipment);
- Low-voltage electric motors of the anti-crushing and anti-shearing type that ensure precision and fluidity of movement;
- Quick release of the backrest by means of special bilateral release lever, useful for performing CPR emergency maneuvers;
- Absence of under-network mechanisms and linkages to carry out complete and effective sanitization;
- Emergency power supply by rechargeable battery of high autonomy that ensures continuity of electrical functions in case of power failure from the mains;
- Useful floor clearance for entry of lifters;
- Easy access for sanitizing the floor below;
- Swivel, non-marking and antistatic wheels made of washable and sanitizable material;
- The high capacity of the wheels facilitates moving the bed from place to place even with a patient on board and under all operating conditions; The low friction of the wheels makes it possible to optimize the pushing force applied by the operator, so as to facilitate sliding on all types of floors and facilitate maneuverability in tight spaces;
- Bed free of parts and components prone to wear and seizure;
- Absence of elements to be lubricated;
- Absence of latex and phthalates.

Main cord



**Type F
Schuko**



**Type L
16A**



**Type I
Australia**



**Type B
Canada and USA**



**Type G
UK plug**

Technical sheet

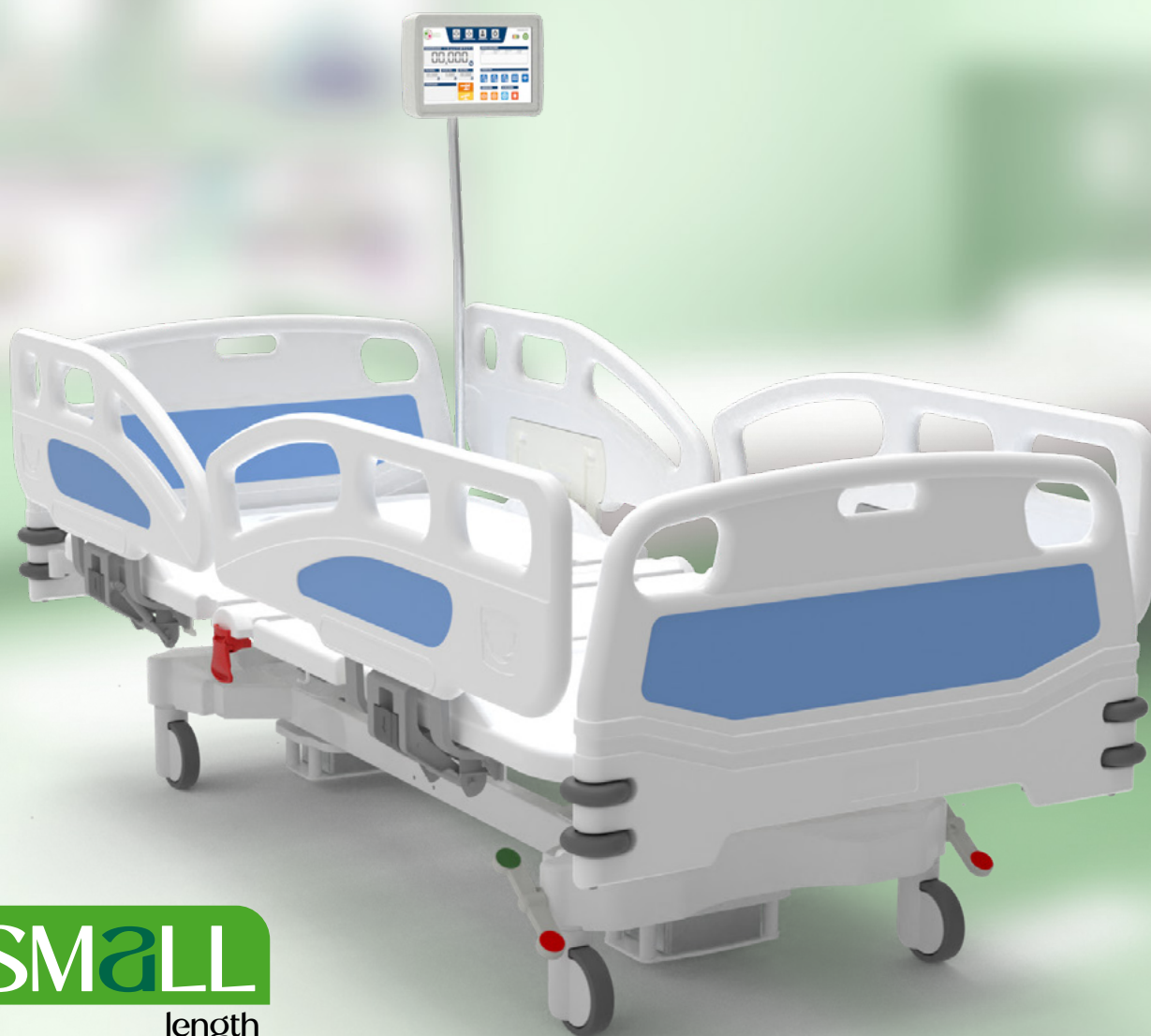
CND / EMDN code	V08060105
GMDN code	35321
Progressive/R	2512292/R
UDI-DI di base	805771740LETBGV
ID Product	GB0023;SP painted steel GB0023;SS Stainless steel GB0023;BP Painted steel - bariatric version GB0023;BS Stainless steel - bariatric version
Inteded use	Bed with integrated scale for weight determination of the patient for assessment, diagnosis and care purposes;
Manufacturer	GARDHEN BILANCE SRL
Spare parts availability	10 years
Overall weight	135 kg
Controls	Display touch screen + handset
Battery	10 cycles of autonomy
Battery weighing system	24 V self rechargeable (autonomy approx; 24 hours)
Power	Multivoltage 100-240 Vac 50/60 Hz
Main cable	Schuko or other upon request
Wheels	Nr; 4 swiveling and stainless 150 mm with braking system
Electric motors	Low voltage (24 V)
Max electrical input Max	460 VA
Insulation	IP44
Max load	Standard 200 kg / Bariatric 300 kg
Safety working load	Standard 235 kg / Bariatric 335 kg
Divisions	With a max load capacity of 200/300 kg automatic displaying of the minimal division of 50 g up to 150 kg and 100 g from 150 up to 200/300 kg;
Weighing cell power supply:	5Vcc (from 1 to 4)
Display box	Display box in plastic material with IP65 insulation
Converter	24bit
Display	Touch Screen
Power display	24 Vdc
Alarms	Status indicator Luminous on display and on control systems Alarms Excessive or insufficient weight loss / Patient exit alarm / Brake disconnection alarm / Brake disconnection luminous alarm / Battery status indicator / Faults indicator / Maintenance deadline alarm
Data transmission	Ethernet port 10/100 On request : Wi-Fi/Bluetooth combo module - USB A port for weight-given transmission - USB B port for external printer connection - RS-232 port - RS-485 port;
I/O (opz:)	4 output
Antiblack-out function	Extra battery + software
Tare	Tare subtraction before and during the treatment
Tare modalities	Automatic and manual
Conformity	Regulation UE 2017/745 Certificate No; 126/MDR issued by O;B; 0051 It meets all applicable standards and directives

Alex

www.gardhenbalance.it



Hospital beds with integrated scale



SMALL
length

Gardhen Balance S.r.l.

Via G. Luraghi c/o Consorzio Il Sole - lotto S - 80038 Pomigliano d'Arco (NA) - Italia

Tel. +39.081.8692160 pbx

E-mail: info@gardhenbalance.it - PEC: gardhenbalance@pec.it

Pictures contained in this brochure is for illustrative purpose only; The manufacturer reserves the right to modify the projects without notice; For accessories identification please refer to the accessory catalogue or commercial offer; When data are different please refer to commercial offer;

Dep; EN_62 rev; 13/04/2026