

Francis AV

Multifunctional couch



COUCHES

Frequent usage

Outpatient clinic
Diagnostic Ultrasound
Endoscopic examinations
Physiotherapy
Medical Centre
Emergency Room



**TECHNOLOGY &
FUNCTIONALITY**

multifunction device
for specialist activities



www.gardhenbalance.it



VERSATILITY & SAFETY

The **multifunctional examination table** is extremely versatile and it can be used for a wide range of specialist visits. Thanks to its three sections, it is possible to adjust the position of the patient in order to ensure greater comfort during visit. Furthermore, the robust construction and solid design of the bed ensure the safety of the patient during medical manoeuvres.

3 SECTIONS

Patient's surface in 3 sections, two of them are electrically adjustable through electric actuators.

RELEASE LEVERS

Levers for manually unlocking the back sections.

CENTRAL BRAKE

Braking system with bilateral levers for the activation of the directional system.





Standard equipment

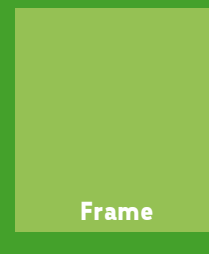
- Top divided into two sections with power-assisted backrest articulation.
- Adjustable backrest with gas actuator.
- Reinforced anti-tip and non-deformable frame made of steel painted with thermosetting epoxy powder enriched with antibacterial, color customization upon request.
- Quick release of the backrest, to facilitate CPR maneuver - Equipment code AC8L.
- Upholstery made of class 11M leatherette, a material that can be sanitized with commonly used detergents and medical surgical aids, with antibacterial, antifungal, stain-resistant properties. Color customization upon request - Equipment code AC87/1.
- Mattress made of high-density foam resin.
- Motorized variable height through high-stability columns.
- Motorized trendelenburg and reverse trendelenburg via rectangular-section telescopic columns- Equipment code AC152.
- 150 mm diameter swivel and antistatic wheel kit with braking and directional system operated by bilateral pedals.
- Centralized braking device with directional system made of galvanized steel. Operated by means of 2 bilateral pedals - Equipment code AC7L2G.
- Equipotential node.
- 4-button push-button panel for motor operation and movement management.

Also available, upon request, with removable section to allow access of the ultrasound probe.

Do you want to change the color of the upholstery and frame?

Frame or click the QR codes and find out how to personalize the device by consulting our color cards*.

*If no preference is expressed, the device will be supplied with the available color.



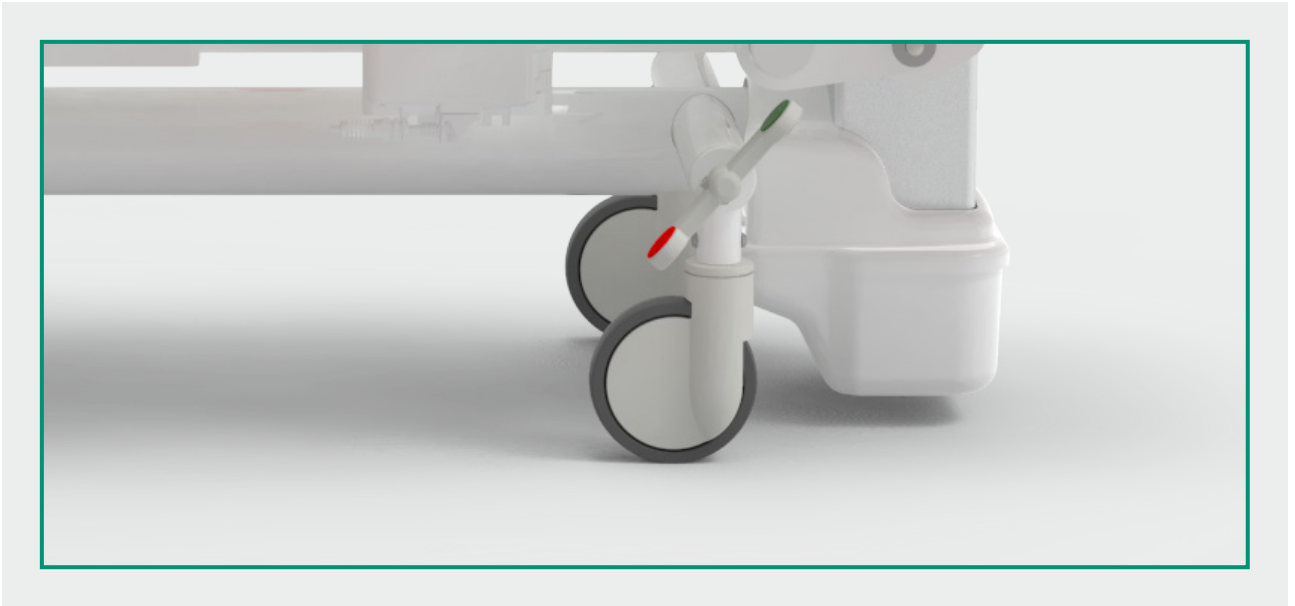
Do you want to improve the device?

Frame the QR code and discover all the optional components available by browsing the catalog.



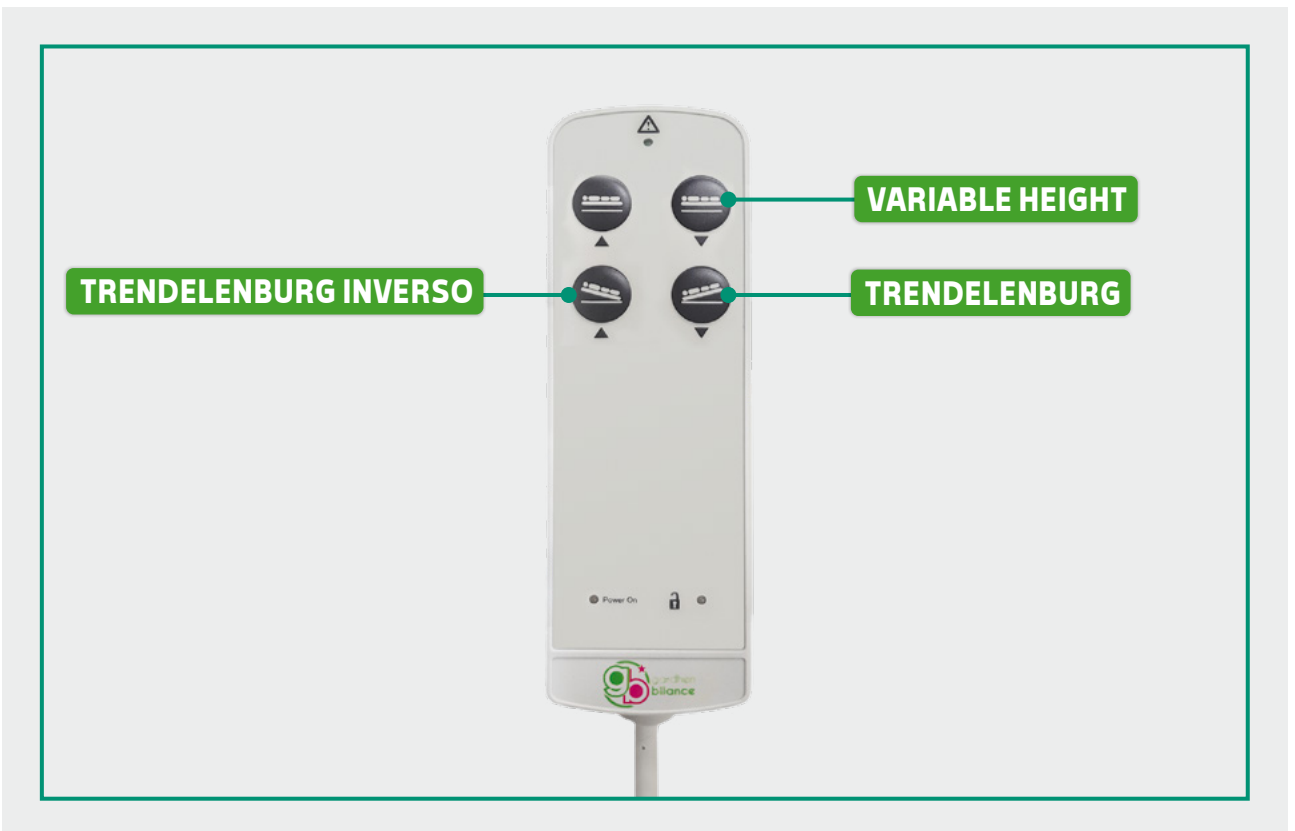
Braking system

Centralized braking system with directional mode. Operated by the special bilateral pedals easily accessible by the operator - Equipment code AC7L2/G.



Handset

All movements of the device are controlled by a perimeter push-button panel equipped with a 3.5 m coiled cable. The hand control is easy to use as it is made with large raised pictograms and is also suitable for visually impaired patients; IP66 insulation.





Movements



TRENDELENBURG



REVERSE TRENDELENBURG



Movements



IT IS POSSIBLE TO ACHIEVE WITH BACKREST ADJUSTMENT THE SHOCK POSITION, TO PROMOTE VENOUS RETURN IN CASE OF HYPOTENSION OR TO OBTAIN A FUNCTIONAL POSTURE FOR SPECIFIC INTERVENTIONAL NEEDS.



OPTIMAL POSTURE FOR NUMEROUS CLINICAL NEEDS. MICROMETRICALLY ADJUSTABLE SURFACE BY MEANS OF A SPECIAL PULSION.



Movements



VARIABLE HEIGHT VIA MOTORIZED COLUMNS.

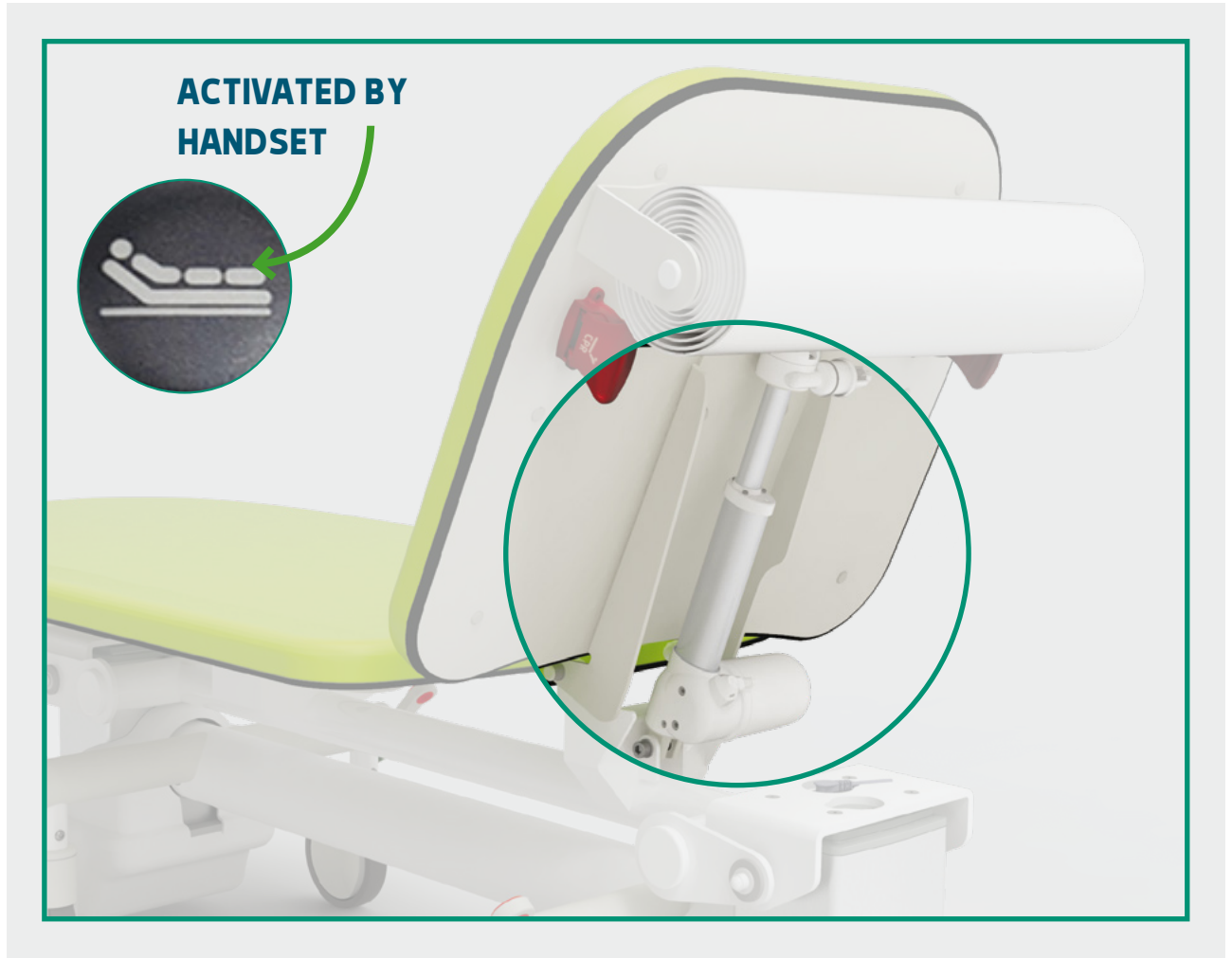


MINIMUM HEIGHT OF 560 MM ALLOWS EASY ACCOMMODATION FOR ALL PATIENTS



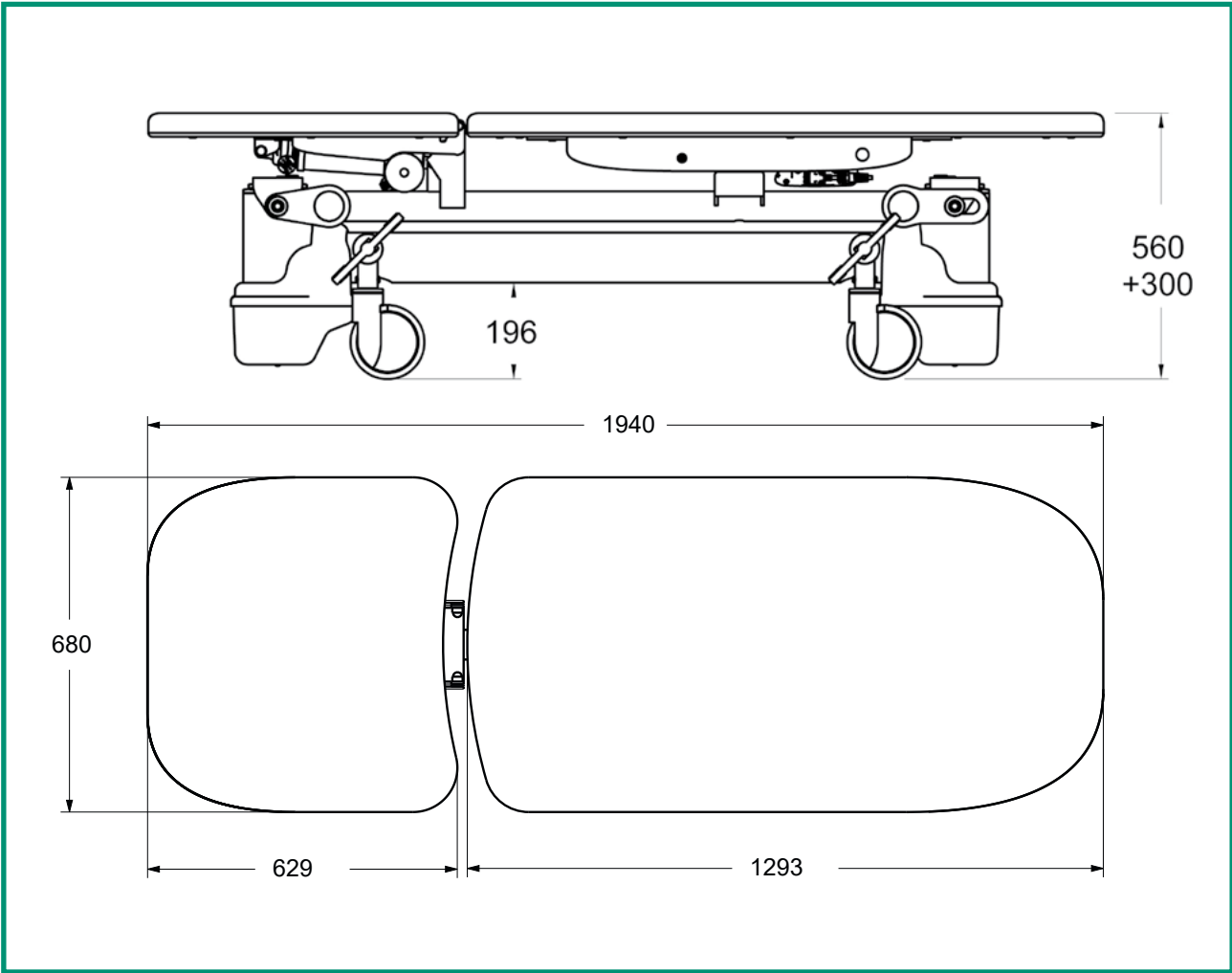
Motorized backrest that can be activated by hand control

It is possible to equip the back section with a motor - Accessory code AC107, which can be activated electrically with the help of the perimeter hand control equipped with a 3.5 m coiled cable. The hand control is easy to use as it is made with large raised pictograms and is also suitable for visually impaired patients; IP66 insulation.





Dimensional





Technical Sheet

CND/EMDN	V080603
GMDN code	32264
Basic UDI-DI	805771740LVISKK
No. progressive/R	2435351/R
Product Code	GB0038.SP Painted steel
Intended Use	Multifunctional couch
Manufacturer	GARDHEN BILANCE SRL
Spare parts availability	10 years
Table weight	80 kg
Wheels	150 mm diameter wheel kit complete with centralized brake and directional system operated by bilateral foot pedal
Type of control	Handset
Power	Multivoltage 100-240 Vac 50-60 Hz
Main cord	Schuko or other upon request
Electric motors	Low voltage (24 V)
Max absorption	4A
Insulation	IP44
Max load capacity	200 kg
Safe Workload	235 kg

Main cord



Type F
Schuko



Type L
16A



Type I
Australia



Type B
Canada
and USA



Type G
UK plug

Gardhen Balance S.r.l

Via G. Luraghi c/o Consorzio Il Sole - lot S - 80038 Pomigliano d'Arco (NA) - Italy

Tel. +39.081.8692160 pbx - Fax +39.081.8692460

E-mail: info@gardhenbalance.it - PEC: gardhenbalance@pec.it

Visit our website www.gardhenbalance.it / Follow us on

Images reproduced in this sheet are for reference only and dimensional values are nominal. It is the manufacturer's right to make changes to the designs without prior notice. Refer to the optional components catalog and/or commercial proposals for identification of standard equipment and selection of any additional components. In case of discrepant data, the contents of the commercial proposals shall prevail. In the event that preferences are not expressed regarding the colors of the devices ordered, the same, will be made in the colors shown in the data sheet/brochure.

For regulatory references, please refer to the user manual and declaration of conformity.

Dep. 111 rev 08/05/2024

