

# HOSPITAL BED

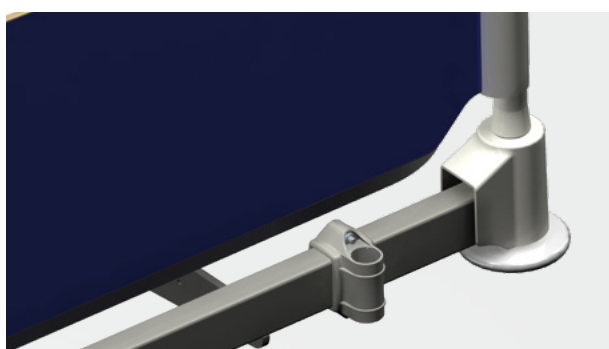
## ACCESSORIES

**AC1**

Footboard anti-cramps/ functional shortening to reduce the distance between the bottom of the bed and the feet of the patient improving comfort.

**AC3L**

Pair of two fixed bag hooks, placed under the bed base.

**AC4L/S**

Predisposition for the housing of IV rod.

**AC4L**

Removable, height-adjustable adjustable IV pole by mechanism.  
Plastic hooks - available with 2 and 4 hooks.

**AC4L/3**

Removable, height-adjustable adjustable IV pole by mechanism.  
Stainless steel hooks - available with 2 and 4 hooks

**AC4/2**

V pole (dripstand) on wheels. It is available in the 2 and 4 hooks version.

**AC5L**

Twin wheels Ø 150 mm functional to improve the maneuverability of the device even with patient on board.

**AC6ML**

12 buttons with two dedicated memory buttons for "Gardhenia" bed.

**AC7L1G - AC7L1S**

Braking system on two axis with directional system. Activated through pedals located on the back and on the front.

- AC7L1G version in galvanized steel.
- AC7L1S stainless steel version.

**AC7L2G - AC7L2S**

Centralized braking system with directional system. Activated through pedal located on the back.

- AC7L2G version in galvanized steel.
- AC7L2S stainless steel version.

**AC8L**

Manual device with bilateral lever for quick release backrest, functional for performing CPR maneuvers.

**AC10L**

Motorized Trendelenburg for non-adjustable in height beds.

**AC14L**

Container basket made of stainless steel removable if necessary and can be positioned on the sides "AC21" and "AC71".

**AC15/PLUS**

Serving table with double shelf adjustable in height through automatic pneumatico, equipped with wheels and then transferable from place to place. It approaches the entire perimeter of the bed base as it fits comfortably under the bed base.

## AC15/TOP



Side table on wheels that can be moved from a place to another. It can be placed near the patient lying surface as the base can be easily inserted under the bed.

Functionalities: Interchangeable, swivable, it can be turned according to user's need, tiltable for reading desk, adjustable in height via gas spring.

Max load: 10 kg.

Size: 420x570 mm.

Compatible with AC105L.

## AC17L



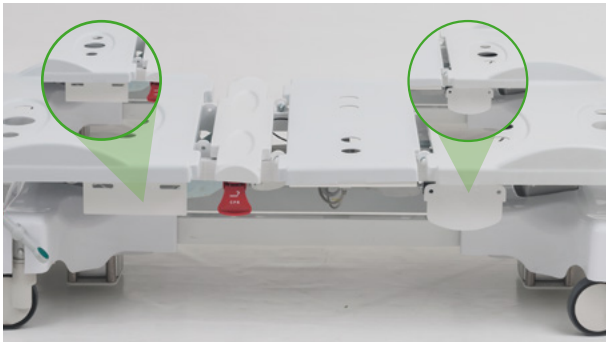
Additional battery box useful to ensure the functionality of the bed even in the absence of power from the mains. This battery, in addition to ensuring functionality in case of emergency, ensures numerous operating cycles thanks to its high autonomy.

## AC20



Removable side rails couple with quick coupling. Made out in lightweight pipe painted with thermosetting powder.

## AC20/S - AC21/S



Predisposizione per l'installazione di sponde laterali.

- AC20/S: Predisposition for side rails.
- AC21/S: Predisposition for collapsible side rail (compass).

## AC21/1



Pair of folding side sides with compass made of technopolymer at the beginning format with tubular steel, allow you to contain the patient preserving it from any falls. Once the sides have returned to their starting condition, they are automatically locked by means of the locking/unlocking mechanism, thus avoiding their involuntary lowering.

## AC22



Desk top/Folding monitor holder on the footboard. Made of robust HPL with smooth surface ideal for sanitization with most surgical devices.

**AC24**

Katia weighing system trolley made of steel equipped with wheels for transport from place to place.

**AC26**

**Weight control routine  
that emits alarms for  
dialysis session**

Alarms for dialysis session.

**AC30L**

Multifunctional armrest with adjustment mechanism.

**AC32L**

LED courtesy light to promote visibility in low light, adjustable by means of flexible tubular.



**AC34L**

Mechanical device for inhibiting the patient's push-button.

**AC41**

Thermal printer (only for beds with integrated scale).

**AC43L/S**

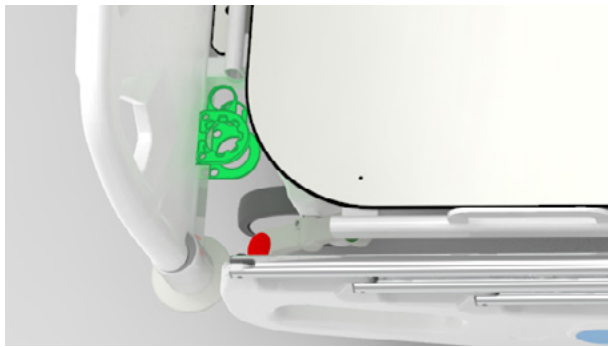
**FOTO NON DISPONIBILE**

Predisposition for rod lifts sick.

**AC43L/1**

PHOTO NOT AVAILABLE

Swivel patient lift rod on frame for Gardhenia bed.

**AC43L/2**

Double provision for patient lifting pole and IV pole.

**AC43L**

Sick lifting rod made of thick steel tube painted with thermosetting powders to preserve the integrity from external agents. Integral to the bed through suitable support with trapezoid made of technopolymer adjustable in height by means of a special belt.

**AC44/3**

Mattress Flex Comfort SYCURA®.

Other models available in our pricelist.

**AC45/5**

Pillow POLISOFT SYCURA®.

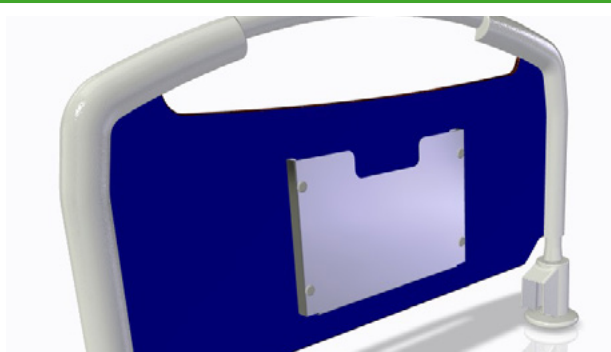
Other models available on our pricelist.

**AC46**

Folder holder made of stainless steel for A3 format documents, equipped with opaque panel to protect patient privacy.

**AC46/1**

Folder holder made of stainless steel for A4 documents, provided with opaque panel to protect patient privacy.

**AC46/2**

Medical record folder (A4) with opaque privacy panel on AC65 panel.

**AC48**

TV colour 24"/28" fitted to the bed through dedicated swivable support.

**AC48/SL**

Swivel stand with manual adjustment for TV.

**AC48/PL**

Predisposition for AC48SL TV colour LCD attachment.

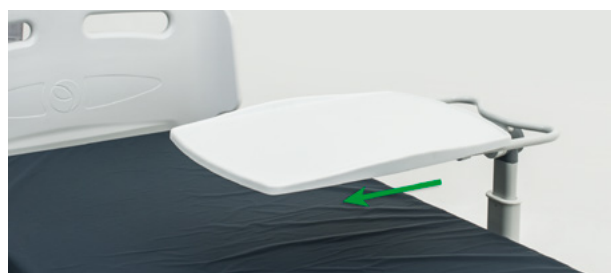
**AC50L**

Cable reel holder for power cord housing when disconnected from mains.

**AC50L/1**

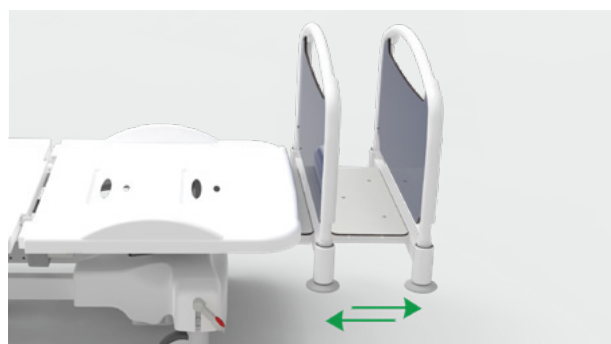
PHOTO NOT AVAILABLE

Cable reel with spring return for Gardhenia.

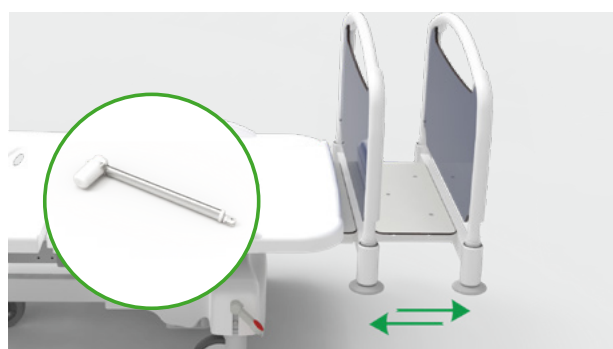
**AC55L**

Built-in table and removable if necessary, equipped with a mechanism for adjusting the top. Through the mechanism we can tilt, move or adjust the height of the plane.

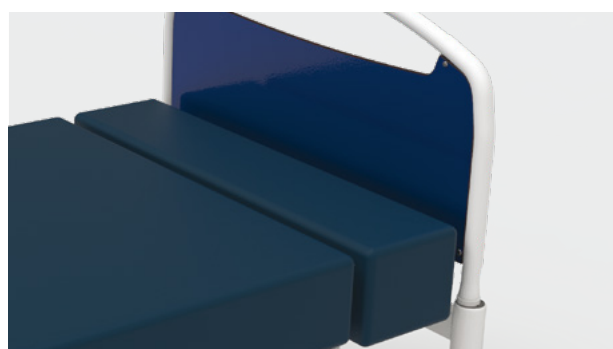
- Max load: 10 kg.
- Dimensions: 420x550 mm.

**AC61**

Manually adjustable bed extension 170mm.

**AC61/1**

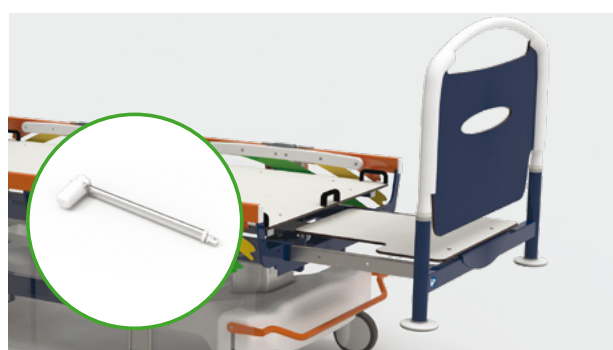
Motorized bed extension 170mm.

**AC61/2**

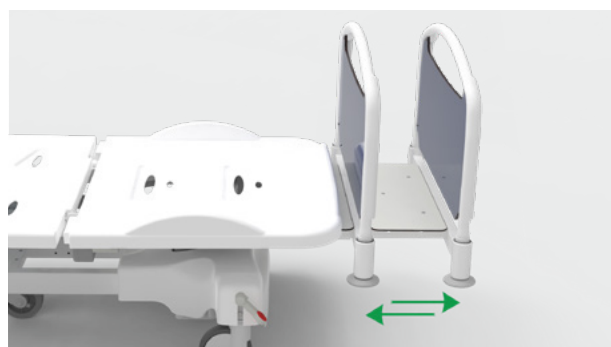
Extra mattress for bed extension "AC61" e "AC61/1".

**AC61/3**

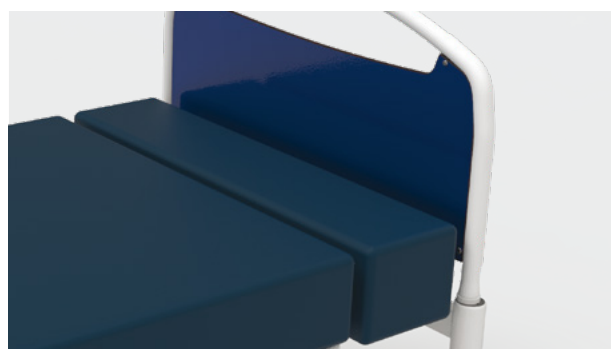
Manual bed extension 400mm (paediatric version).

**AC61/4**

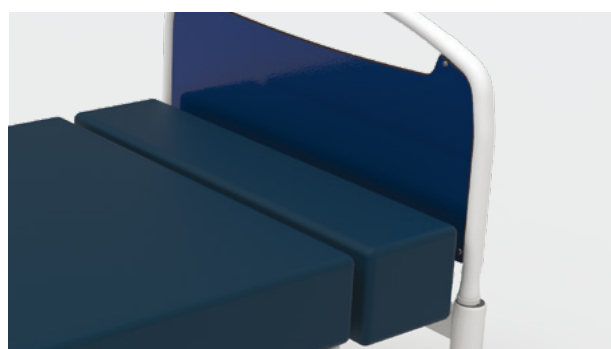
Motorized bed extension 400mm (paediatric version).

**AC61/5**

Manual bed extension device with 280 mm travel for "Gardhenia".

**AC61/6**

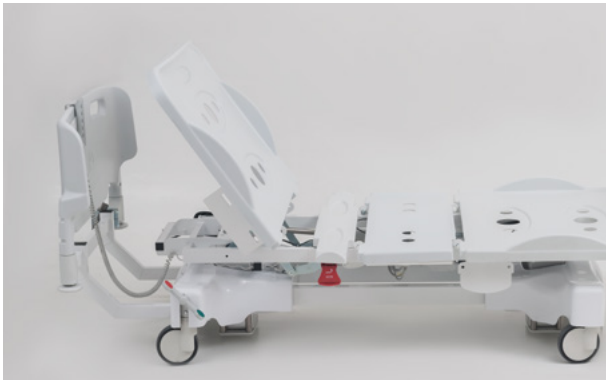
Additional 100 cm wide ergonomic mattress for bed extension "AC61" and "AC61/1".

**AC61/7**

Additional 120 cm wide ergonomic mattress for bed extension "AC61" and "AC61/1".

**AC61/8**

Additional side mattress for 'AC151/1' extendable bedsprings.

**AC62**

Back translation device, functional to limit abdominal compression and slipping of the patient towards the bottom of the bed, optimizing posture and comfort.

**AC65**

Head and foot removable HPL panels in technopolymer. Available in blue and white colour.

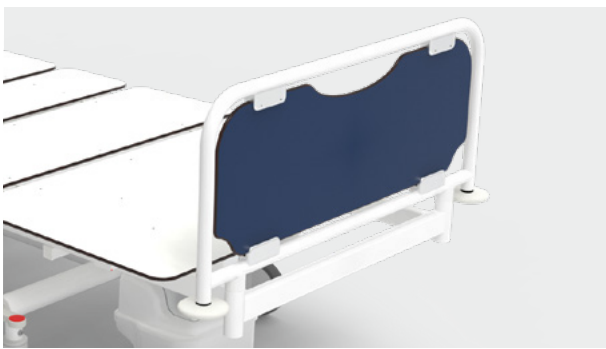
**AC65/2**

Couple shoulders removable if necessary, made of shaped technopolymer. The shoulders are equipped with a customizable vinyl insert on request. Availability of vinyl colors available on the "color card".

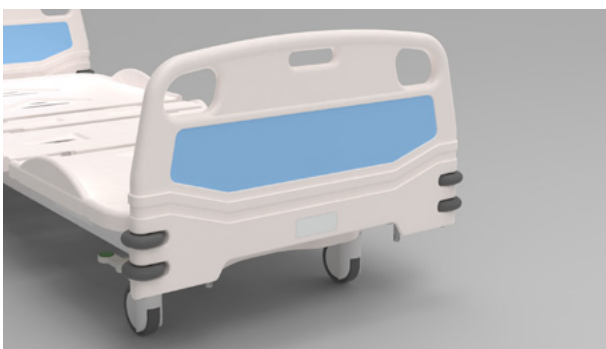


**AC65/3**

Couple shoulders removable if necessary, made of shaped technopolymer. The shoulders only have a customizable vinyl insert on request. Availability of vinyl colors available on the "color card".

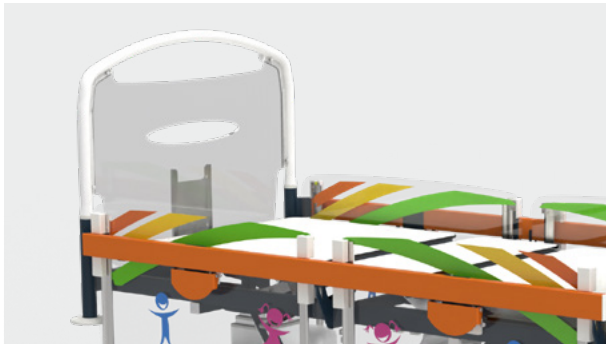
**AC65/4**

Head and foot removable HPL panels steel and HPL shoulders for batriatica version bed.

**AC65/5**

Couple shoulders removable if necessary, in ABS. They can be easily removed if necessary, as they are equipped with a safety mechanism/anti-filament locking system that prevents accidental/involuntary extraction. The colored vinyl inserts of the bed shoulders are customizable on request and can be consulted on the color card.

### AC65/8



Pair of removable shoulders made of technopolymer with transparent plexiglass panel for Daniel and Mosè mini.

### AC68/3



Operator control panel for handle the movements and the presetted memories. It is normally attached to the foot board and it carry out the following functions:

1. movements: Backrest, femoral, autoconture, height adjustment, Trendelenburg and reverse Trendelenburg;
2. enabling and partial or total inhibition of patient's handset;
3. memory button for automatic positioning for carry out the cardiopulmonary resuscitation procedure (CPR);
4. memory button for automatic positioning at the optimal condition for the preparation of the
5. bed to assist the patient in normal conditions of use;
6. memory button for Trendelenburg position;
7. memory button for the auto-conture condition (chair position).

### AC68/4



Internal side rail control panel for patient on AC71.

## AC68/5



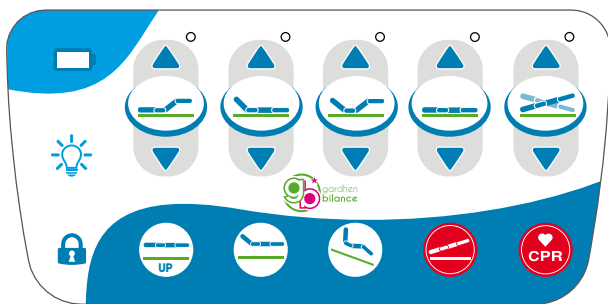
External side rail control panel for nursing staff on AC71.

## AC68



Supplementary handset.

## AC68/6



Operator control panel for movement management for "Gardhenia" bed.

## AC71



Pair of semi-lateral sides made of thermoformed ABS, which allow the patient to be contained on the mesh plane, preserving it from any falls. The servo-assisted mechanism with motion of abatement, allows to lower the half banks in an extremely easy.

**AC81L**

Servant table made of HPL with stainless steel support attached to the bed, adjustable through a special mechanism and removable if necessary.

Dimensions: 280x380 mm.

**AC90**

Mattress cover.

**AC92**

Chest radiotransparent top with ABS plate holder.

**AC94L**

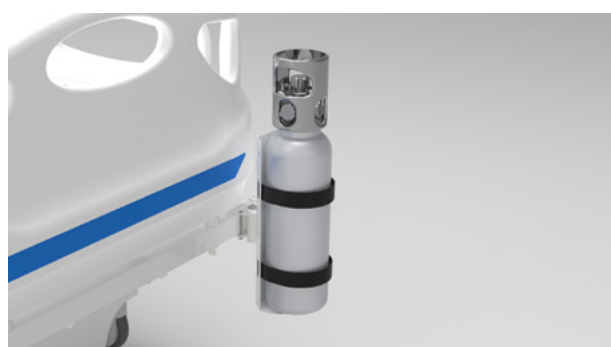
Wireless call system kit complete with call button.

**AC95L**

Cylinder holder installed on the base for the compatible cylinder housing for Alex or Daniel.

**AC95L/1**

Adjustable cylinder holder installed at the corners of the bed for housing 5l cylinders.

**AC95L/2**

Adjustable cylinder holder installed at the corners of the device for housing 5l cylinders.

**AC96L**

Supplementary wireless calling button for AC94L.

**AC97**

Bedpan support.

**AC98**

Urinal recipient support.

**AC100L**

Acoustic alarm for brake disconnection.

**AC100L/1**

Acoustic brake alarm not engaged with bed connected to the mains.

**AC101L**

Light alarm for brake disconnection for hospital beds - white LED light.

**AC104L**

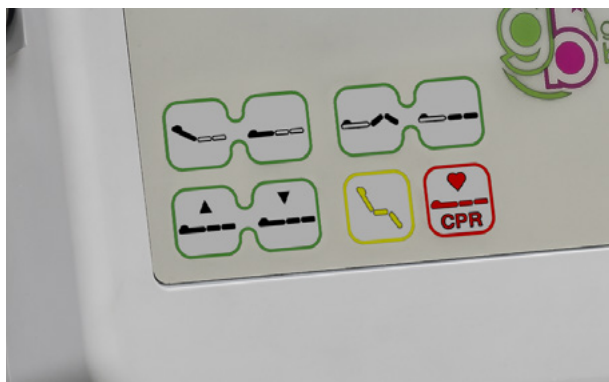
Two-faced bedside cabinet, drawers and doors in plastic materials.

## AC105L



Two-faced bedside table with shell made of plastic material easily sanitizable, equipped with drawer and doors with integrated coffee table.

## AC115



Enable keyboard on fly plus scale display for handling operations, with dedicated software. It includes controls for the movements of back section, leg section, height adjustment + 2 memories (CPR and entry position).).

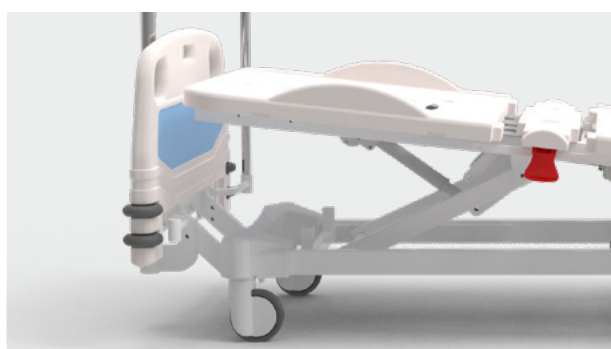


## AC118L



Fifth directional wheel with pedal activation that allows you to obtain greater maneuverability during the transport phases even with patient on board.

## AC120/1

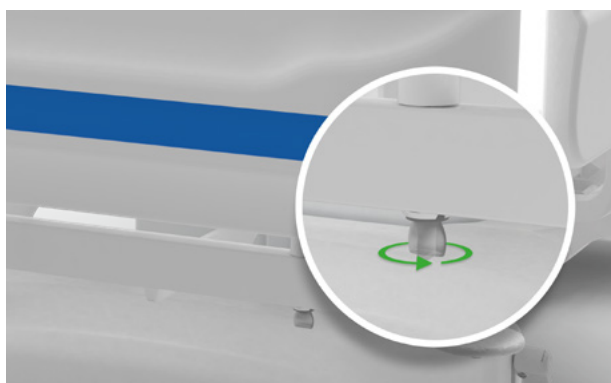


Head panel fitted on the frame. When the lying surface is adjusted the head panel will not move at all.

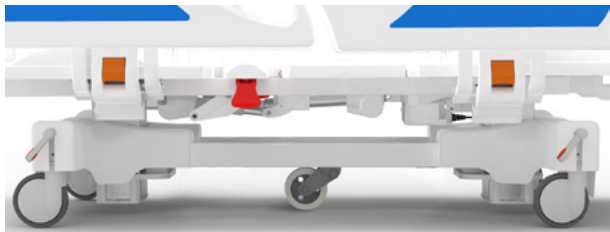
## AC121



Manual safety lock for shoulders compatible with both AC65 (photo 1) and AC65/3 (photo 2).

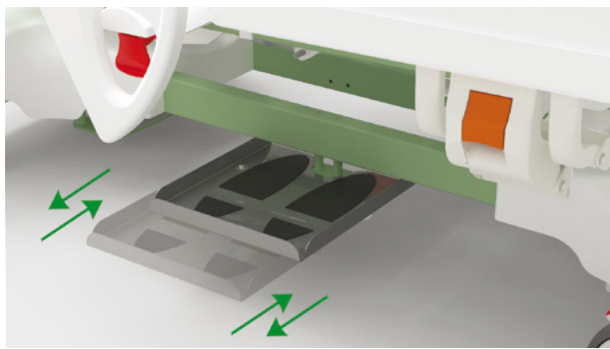


## AC129L



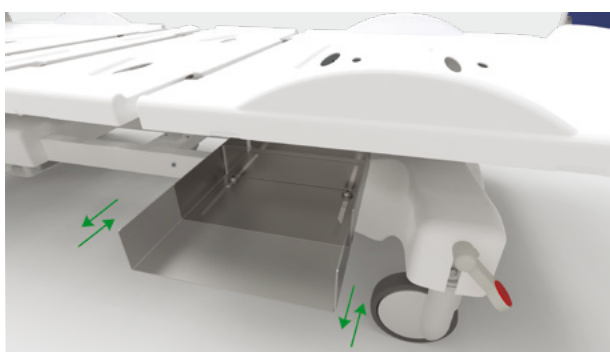
Fifth rotating wheel, cushioned and self-levelling made of polyurethane with a capacity of 350 kg. It allows you to obtain greater manoeuvrability during the transport phases even with patient on board.

## AC131



Removable shoe shelf placed manually under the base.

## AC140L



Garment/ White drawer made of manually removable steel, installed under the bed base.

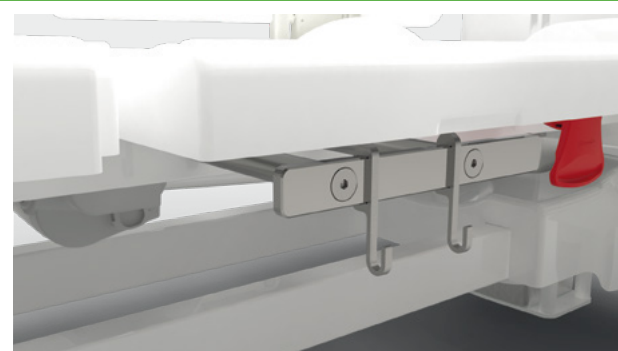
## AC143L



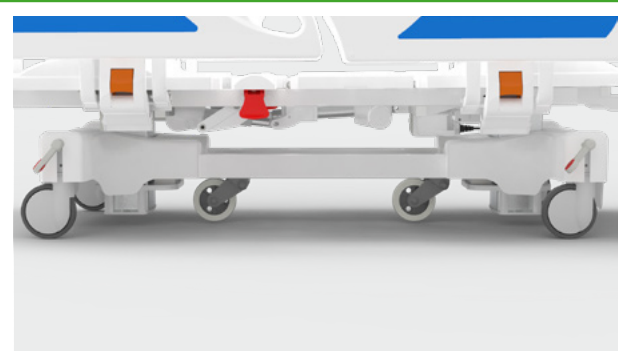
Activation of the interface Ethernet/LAN port on Fly Plus model balance display.

**AC147**

LED night light colours: light blue - green - white.

**AC148**

Drainage door on DIN bar made of steel, placed under the bed base.

**AC149**

Servo transport assistance system that allows to obtain greater manoeuvrability during the transport phases even with patient on board.

**AC151**

Bed base and extensible shoulders for bariatric Daniel / Mosè.

**AC158**

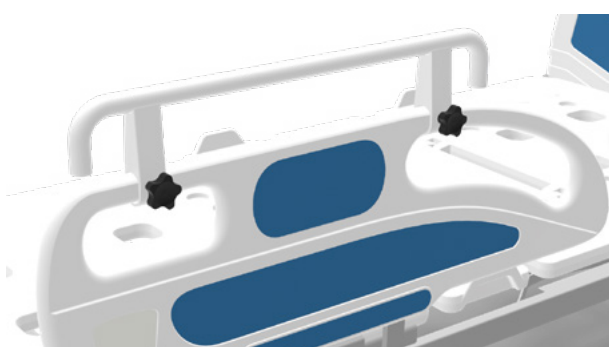
Battery backup status indicator for bed.

**AC161L**

Housing for patient safety containment belts.

**AC162L**

LED indicator indicating the minimum height status of the network plane.

**AC163**

Safety extension for half sides used to ensure the greater safety of patients.

**AC164**

Swivable display box 90° for beds with integrated scale.

**AC165**

Patient removal alarm.

**AC166**

Nurse call button for beds.

**AC167**

Display touch screen di controllo multifunzione GBTouch.

**AC167/1**

Wi-Fi module for GBTouch multifunctional control touch screen display.

**AC167/2**

USB stick for internal aliby memory storage of the GB Touch.

**AC167/3**

10/100 LAN port for networking the GBTouch multifunctional touch screen display.

**AC167/4**

USB port external transmission of weight data for GBTouch multifunctional touch screen display.

### AC167/5



Dual USB port for GbTouch external transmission of weight data for external ALIBY MEMORY storage connection

### AC167/6



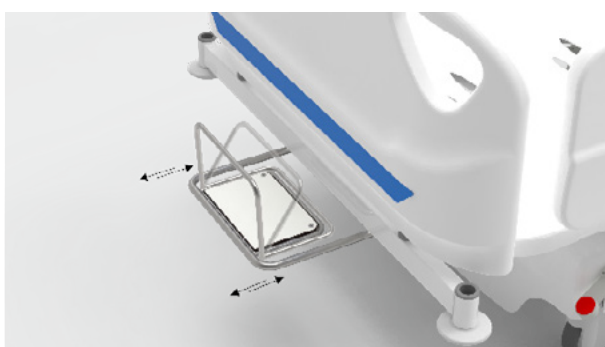
Modulo bluetooth per display multifunzione touch screen GbTouch.

### AC172



Acoustic alarm for mains-connected bed.

### AC175



Linen holder and removable foot-side push-button panel holder for beds.

**AC176**

Foot control arranged on the bed frame.

**AC178**

Head restraint strap for Alex Icubed.

**AC179**

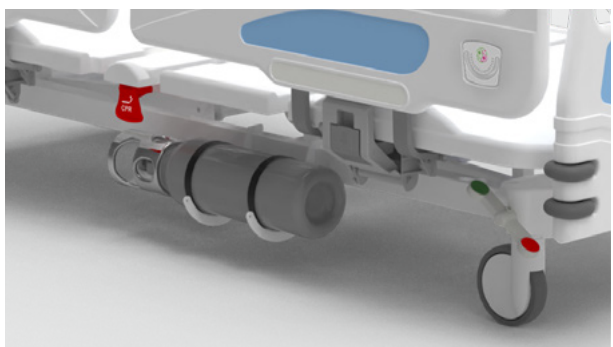
Motorised leg section for beds.

**AC180**

Self-positioning double-sided handles.

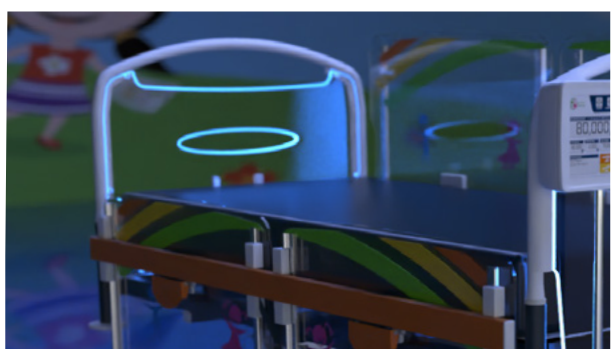


## AC184



Cylinder holder in shape with bed.

## AC185



LED shoulder light with transparent plexiglass panel.

The LED lights have the possibility of increasing, decreasing the light intensity and changing the colour.