

LED-LICHTLEISTE

Installation Instructions

(Translation of the original installation instructions)

Foreword

Disclaimer and exclusion of liability

DewertOkin is not responsible for damage resulting from:

- failure to observe these instructions,
- changes made to this product which have not been approved by DewertOkin, or
- the use of replacement parts which have not been approved or manufactured by DewertOkin.

All information and instructions in this manual have been compiled taking into account the applicable standards and regulations, and in consideration of current technology.

Notice

These instructions are only intended to be used by the end-product manufacturer. The factual information contained within may be used as a basis when creating the end-product manual.

The warning and danger notices are best suited for use in the end product's manual. However it is not sufficient to simply follow these notices.

These installation instructions do not contain all information required to safely operate the end product. They only describe the installation and operation of the product.

Keep these installation instructions in a safe place!

- ▶ We reserve the right to make unannounced technical changes in the course of our continual product improvement process!

Table of contents

Foreword	3
Disclaimer and exclusion of liability	3
Notice	3
Table of contents	4
1. General Information	5
1.1 Conventions used	5
2. Safety notices	6
2.1 Proper and intended usage	6
2.2 Selection and qualification of personnel	6
3. Description	7
3.1 Components	7
4. Technical data	8
5. Installation	9
5.1 Safety notices to observe during installation	9
5.2 Installation procedure	9
6. Operating notes	14
6.1 General information	14
7. Maintenance and cleaning	15
7.1 Maintenance	15
7.2 Cleaning	15
8. Disposal	16
8.1 Packaging material	16
8.2 LED-LICHTLEISTE components	16

1. General Information

These installation instructions must be followed closely in order to install the LED-LICHTLEISTE successfully and safely in the end product. These instructions are not an operating manual for the end product.

These instructions will help you to minimize danger. They will also help you to maximize the reliability and lifespan of the product.



CAUTION

The notices in these instructions must be followed! Following the guidelines during installation and connection procedures will help to minimize:

- the risk of accident and injury, and
- damage to the LED-LICHTLEISTE or to the end product.

These installation instructions have been written with due care and attention. However, we cannot guarantee that the data, images and drawings are complete and correct nor do we accept any liability for the information contained therein, unless required by law.

- ▶ Keep these installation instructions in a safe place!

1.1 Conventions used

Notices which do not relate to safety are indicated in these instructions with a symbol:

- ▶ Triangular notice symbol

Safety notice explanations



CAUTION

CAUTION indicates a hazardous situation which could result in minor or moderate injury.

NOTICE


NOTICE is used to address practices which are not related to personal injury but may result in damage to the product or surroundings.

2. Safety notices

2.1 Proper and intended usage

The LED-LICHTLEISTE is intended for use:

- as floor lighting (UBB)

 CAUTION
Risk of accident The LED-LICHTLEISTE should only be used for the applications described above. Any other form of usage is not permitted. Such non-approved applications will lead immediately to the expiration of all guarantee and warranty claims on the part of the end product manufacturer against the manufacturer.

2.1.1 Improper usage

Be sure to follow the notices below concerning improper usage. You should include them in your product manual in order to inform the users of your end product.

The LED-LICHTLEISTE may not be used:

- in any environment where combustible or explosive gases or vapours (e.g., anaesthesiology) may be present,
- in a moist environment,
- outdoors,
- in any application that will be cleaned with an automated washing system.

The LED LICHTLEISTE can be used by children of 8 years and older, persons with reduced physical, sensory or mental capabilities, or persons with lack of experience or knowledge when they are supervised or instructed concerning the safe use of the device and when they understand the resulting risks. Do not allow children to play with this device. The cleaning and user maintenance must not be carried out by children without supervision.

- ▶ You should only use spare parts which have been manufactured or approved by DewertOkin. Only these parts will guarantee a sufficient level of safety.

2.2 Selection and qualification of personnel

The installation of the LED-LICHTLEISTE in the end product may only be performed by qualified personnel. You should only install this LED-LICHTLEISTE when you are qualified to do so. Otherwise, a properly qualified person should be found for this task.

3. Description

The LED LICHTLEISTE should be used as external lighting. Up to four LED LICHTLEISTE can be connected to each other.

3.1 Components

The LED LICHTLEISTE set consists of:

- 1 to 4 LED LICHTLEISTE strip units
- 1 adapter cable for the power supply
- Optional: 1 to 3 connecting cables

- ▶ DewertOkin's handset or hand-held remote control should be used to operate the LED LICHTLEISTE. More information concerning the handset/hand-held remote can be obtained from your supplier or dealer.

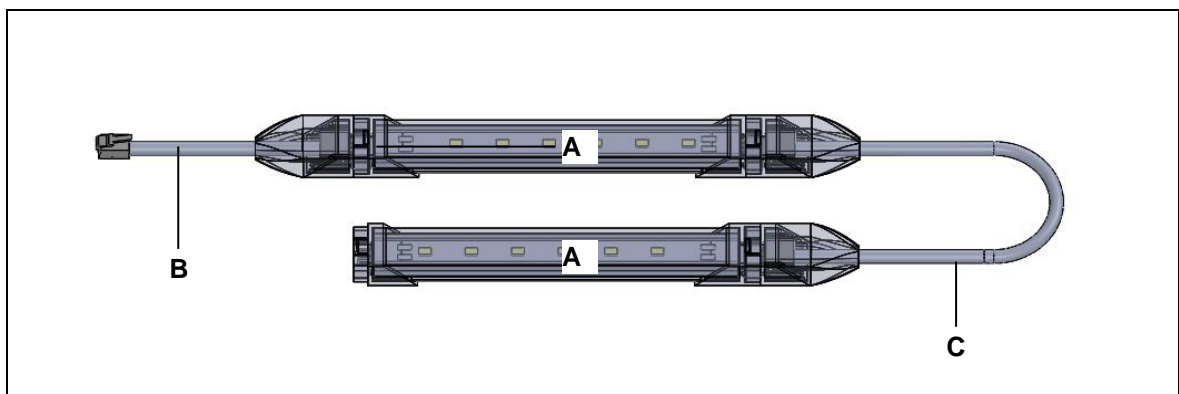


Fig. 1: Set LED-LICHTLEISTE

A LED-LICHTLEISTE

B Adapter cable

C Connecting cable

4. Technical data

Input voltage	24 – 32 V DC
Color temperature	2700 – 3050 K
Quantity of LEDs on the light bar	6
Risk group ¹⁾	Risk group 1 (EN 62471)
Protection degree	IP20
Dimensions and weight	
Length x width x height	approx. 162 mm x 20 mm x 15 mm
Weight / light bar	approx. 40 g
Length adapter cable	approx. 2000 mm
Length Connecting cable (optional)	approx. 1500 mm
Ambient conditions for operation, storage and transport	
Transport / storage temperature	from -20 °C to +50 °C from -4 °F to +122 °F
Operating temperature	from +10 °C to +40 °C from +50 °F to +104 °F
Relative humidity	from 30% to 75%
Air pressure	from 800 hPa to 1060 hPa
Altitude	< 2000 m

¹⁾ Risk group 1 (low-risk): The philosophical basis for this classification is that the lamp does not pose a hazard due to normal behavioral limitations on exposure. These lamps are safe for your eyes unless you look directly at them for long periods of time at a reference distance defined by the standard.

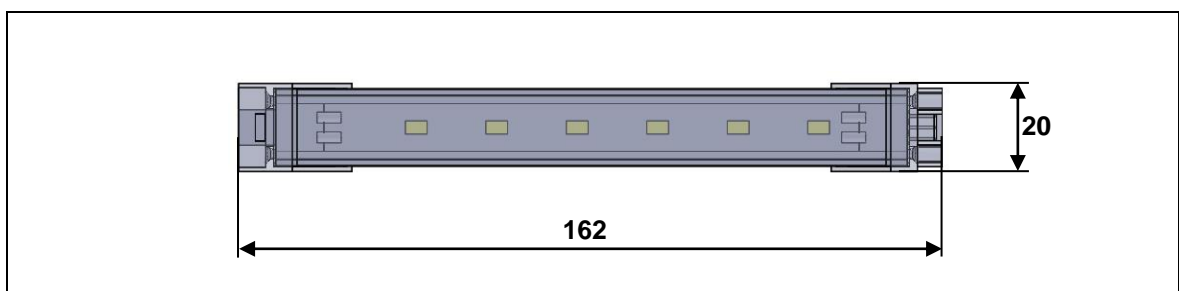


Fig. 2: LED-LICHTLEISTE, top view (in mm)

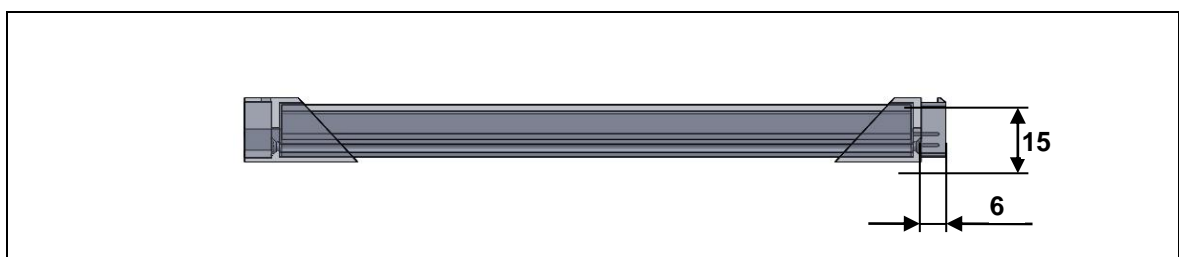


Fig. 3: LED-LICHTLEISTE, side view (in mm)

5. Installation

5.1 Safety notices to observe during installation

Basic safety rules must be followed in order to ensure that can be continually operated in a safe manner. These rules must be observed while using and installing the LED-LICHTLEISTE to the end product.

5.2 Installation procedure

Before installing and connecting the LED-LICHTLEISTE, make sure that you are observing all of the safety notices found in the "Safety notices to observe during installation" section.

- ▶ Before you use the LED-LICHTLEISTE for the first time, check that the cables are in good condition. They must not be used if you detect any damage; contact your dealer or supplier.

5.2.1 Connecting the LED LICHTLEISTE together



CAUTION

You should only connect and disconnect the cables when they are completely disconnected from any live current!

The LED-LICHTLEISTE can be connected in two different ways.

Make the connections as follows (also refer to Figures 4 and 5):

Variante 1: Two, three or four LED-LICHTLEISTE can be plugged in directly to each other.

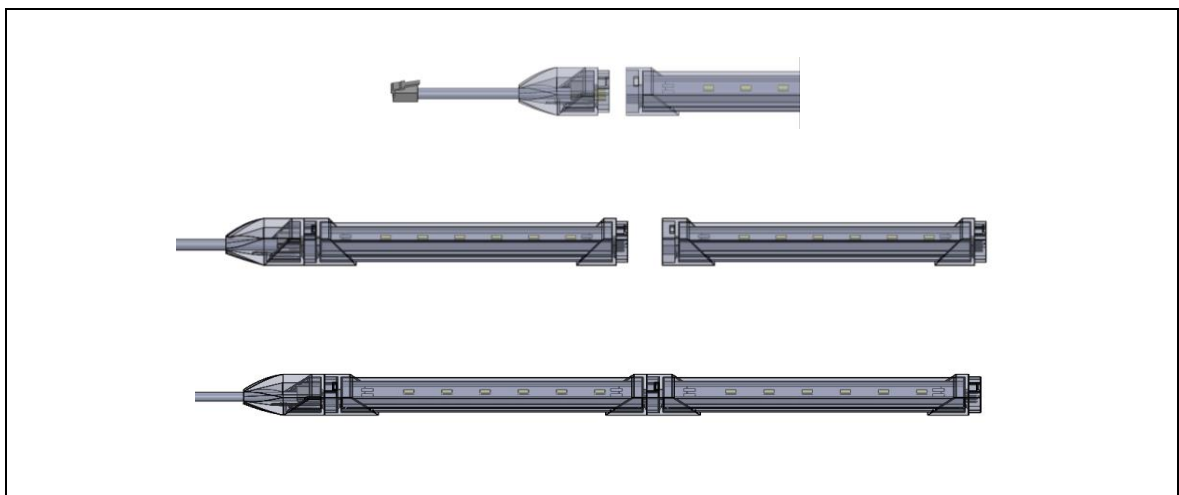


Fig. 4: Connection of the LED-LICHTLEISTE

- 1 Plug the adapter cable into a LED-LICHTLEISTE until you hear it click into place.
- 2 Plug in the other LED-LICHTLEISTE until you hear them click into place (up to four can be connected).

Variante 2: A connecting cable can be used to connect two, three or four LED-LICHTLEISTE.

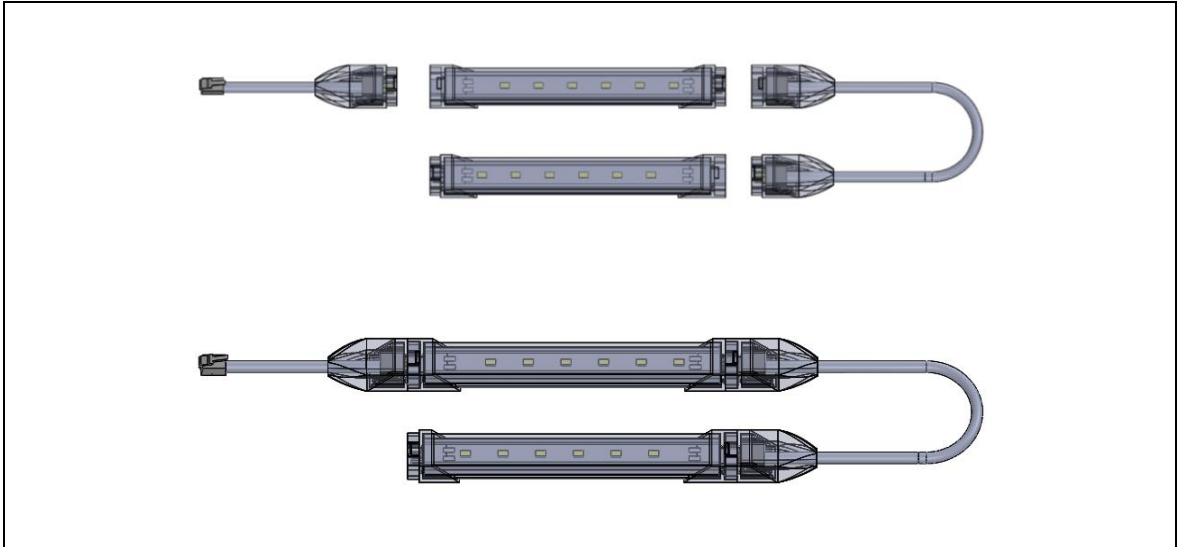


Fig. 5: Connection of the LED-LICHTLEISTE

- 1 Plug the adapter cable into the LED-LICHTLEISTE until you hear it click into place.
- 2 Plug the connecting cable into the LED-LICHTLEISTE until you hear it click into place.

5.2.2 Mounting the LED-LICHTLEISTE at the application

There are various ways to connect the LED-LICHTLEISTE to your end product.

Attach the LED-LICHTLEISTE to the end product as shown in Figure 6 or Figure 7. Use the accessories included with the delivery (the retaining clips with screws or the adhesive tape).

Proceed with the installation as follows:

Mounting method 1: With screws and retaining clip

- 1 Position the LED-LICHTLEISTE **(c)** properly on the end product **(a)**.
- 2 Mark the holes.
- 3 Drill the screw points in the end product.
- 4 Use two retaining clips **(b)** for each LED-LICHTLEISTE. Screw them onto your end product.
- 5 Press the LED-LICHTLEISTE into the retaining clips until it snaps in.
- 6 Carry out these steps for each LED-LICHTLEISTE.

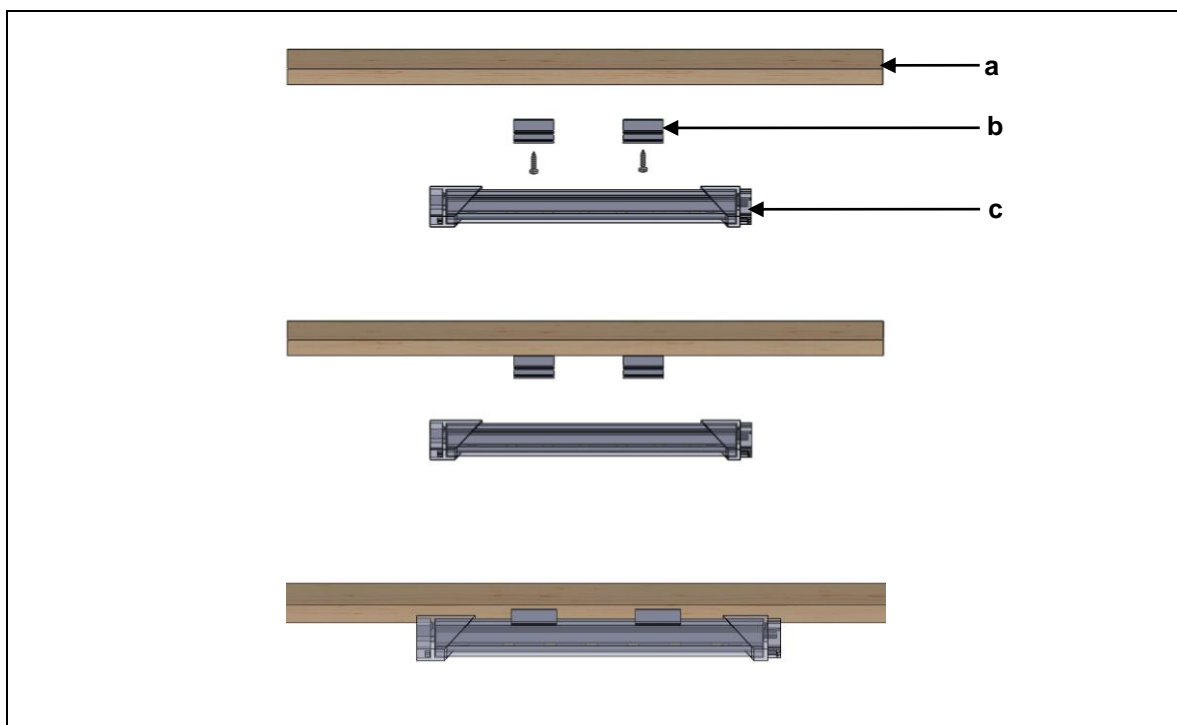


Fig. 6: Mounting the LED-LICHTLEISTE with retaining clip

Mounting method 2: Adhesive tape

- 1 Attach the LED-LICHTLEISTE (c) at the desired position. The mounting position on the LED-LICHTLEISTE and the end product (a) must be clean, dry and free of grease.
- 2 Attach the adhesive strip (d) to the raised area on the LED-LICHTLEISTE.
- 3 Tape the LED-LICHTLEISTE to the end product.
- 4 Carry out these steps for each LED-LICHTLEISTE.

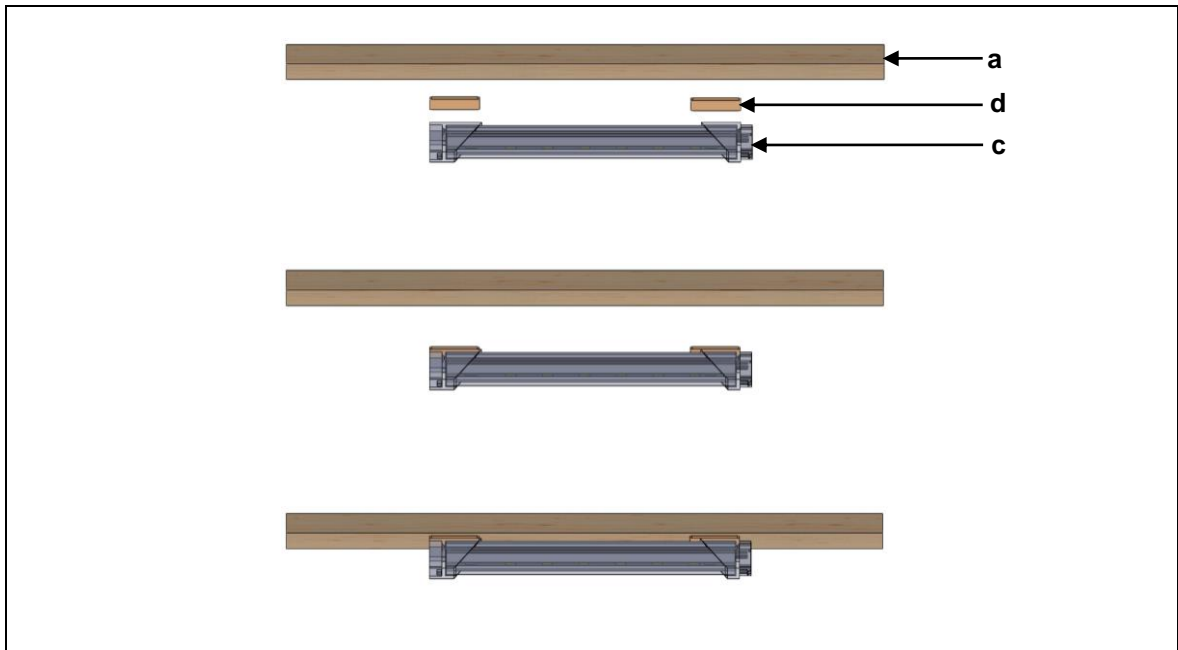


Fig. 7: Mounting the LED-LICHTLEISTE with adhesive tape

5.2.3 Disconnect the adapter cable, connecting cable or LED-LICHTLEISTE

⚠ CAUTION

You should only connect and disconnect the cables when they are completely disconnected from any live current!

- 1 Use a suitable tool to press the pin (e) gently down into the LED-LICHTLEISTE.
- 2 Pull the adapter cable, connecting cable or LED-LICHTLEISTE out.

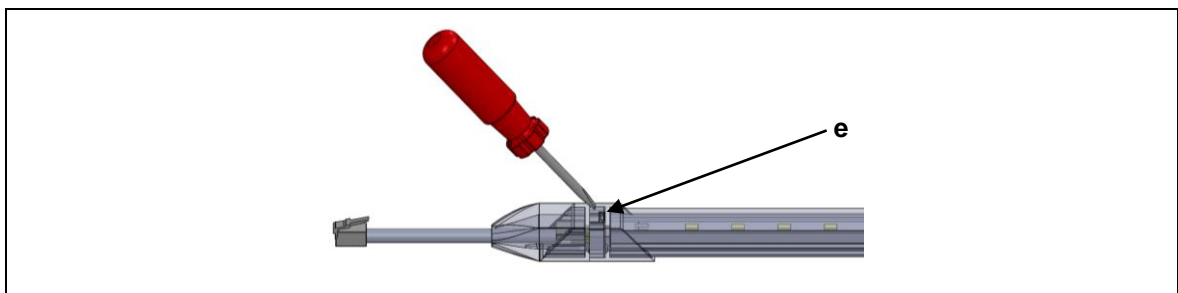


Fig. 8: Example: Disconnect the adapter cable from the LED-LICHTLEISTE

5.2.4 Electrical connection



CAUTION

Electric shock

Electrical components should be connected or disconnected only when the power cord from the power supply is unplugged.

Routing the electrical cables

When routing the cables, be sure that:

- the cables cannot get jammed,
- no mechanical load (such as pulling, pushing or bending) will be put on the cables, and
- the cables cannot be damaged in any way.

Fasten all cables (especially the connecting cables) to the end product using sufficient kink prevention methods. Be sure that the design of the end product prevents the connecting cables from coming into contact with the floor during transport.

5.2.5 Connect to the drive or control unit



CAUTION

You should only connect and disconnect the cables when they are completely disconnected from any live current!

- 1 Insert the adapter cable's plug into the corresponding socket on the power supply (HE-300, OKIMAT 8, etc.).

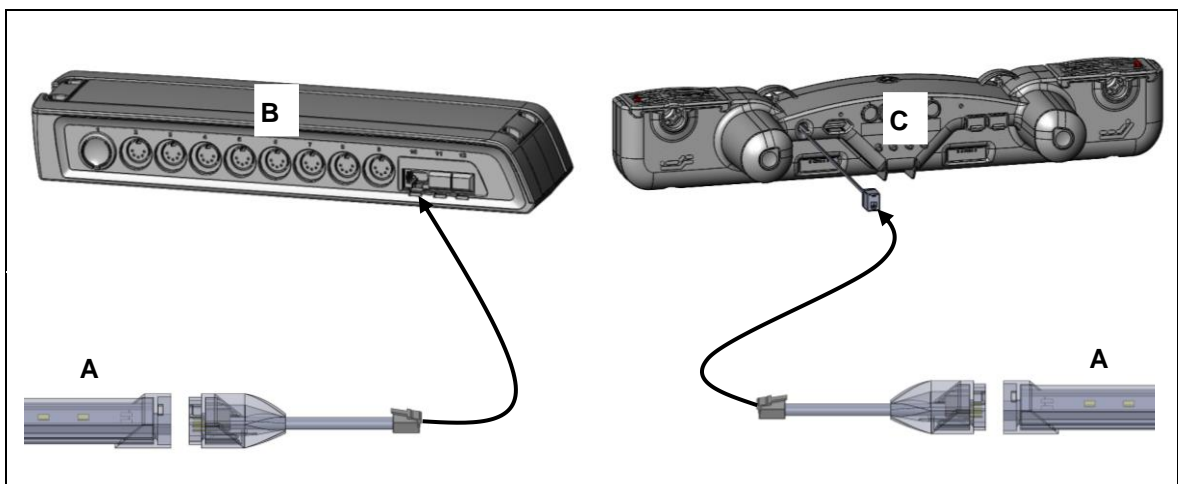


Fig. 9: Connection of the LED-LICHTLEISTE to the drive or control unit

A LED-LICHTLEISTE

B HE-300

C OKIMAT 8

6. Operating notes


The factual information contained within may be used when you are creating the end-product manual. The installation instructions do not contain all information required for the safe operation of the end product. They only describe the installation and operation of the LED-LICHTLEISTE as a partially assembled piece of machinery.

- ▶ When creating the operating instructions, remember that the installation instructions are intended for qualified specialists and are not for typical users of the end product.

6.1 General information


- ▶ Only drives and drive control units from DewertOkin should be connected to the LED-LICHTLEISTE, since they have already been verified to work together.

Avoiding damage from LED light

 CAUTION
Risk of accident Do not look directly into this light and do not point the light into other people's eyes.

Avoiding cable damage

Be sure that your operating instructions inform the user about the possible cable risks.

 CAUTION
Risk of accident The cables (particularly connecting cable) should not be run over. In order to prevent injuries or damage to the LED-LICHTLEISTE, no mechanical strain should be placed on the cables.

Avoiding damage at the LED-LICHTLEISTE

NOTICE
Do not open the LED-LICHTLEISTE. This would lead immediately to the expiration of all guarantee and warranty claims on the part of the end-product manufacturer against the manufacturer.

7. Maintenance and cleaning

7.1 Maintenance

- ▶ No servicing needs to be carried out on the LED-LICHTLEISTE.

7.2 Cleaning

- ▶ Clean the LED-LICHTLEISTE and the cables as needed using a dry cloth.

NOTICE
<ul style="list-style-type: none">• Before beginning cleaning, be sure to unplug the mains plug of the power supply from the outlet!• Do not use a cleanser that contains benzene, alcohol or similar solvents.• Be sure that you do not damage the connecting cables during the cleaning.

8. Disposal

8.1 Packaging material

The packaging material should be sorted into recyclable components and then disposed of in accordance with the appropriate national environmental regulations (in Germany according to the recycling law KrWG from 01.06.2012; internationally according to the EU Directive 2008/98/EC (Waste Framework Directive WFD as of 12.12.2008)).

8.2 LED-LICHTLEISTE components

The LED-LICHTLEISTE consists of electronic components, cables and metal and plastic parts. You should observe all corresponding national and regional environmental regulations when disposing of the LED-LICHTLEISTE.

The disposal of the end product is regulated in Germany by Elektro-G, internationally by the EU Directive 2011/65/EC (RoHS), or by any applicable national laws and regulations. (The end product is not regulated by the EU Directive 2012/19/EC (WEEE)).



The LED-LICHTLEISTE should not be disposed of with normal household waste!

DewertOkin GmbH
Weststraße 1
32278 Kirchlengern, Germany
Phone: +49 (0)5223/979-0
Fax: +49 (0)5223/75182
<http://www.dewertokin.de>
Info@dewertokin.de

ID-Nr.: 80902