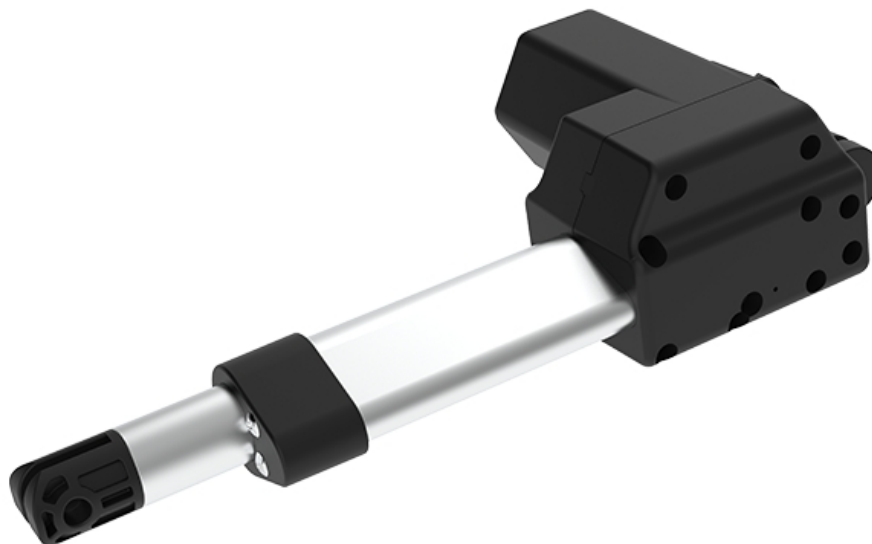


Stable, tried and tested for powerful applications, e.g. for height, back and foot rest adjustment on beds and armchairs. Durable worm gear with high self-locking function. Extra-powerful gear for increased pressure absorption.

- Load capacity: max. 6000 N push / max. 4000 N pull
- Adjustment speed: max. 44 mm/sec. *
- Stroke length: max. 500 mm (+/- 1 mm)
- Equipment options: mechanical end stop (MES), stroke pipe clevis made of die cast zinc, gear clevis as clip, Hall sensor

* depending on drive configuration at constant 24/29 V DC without load



Standard configurations

Performance data

Load capacity	max. 6000 N push max. 4000 N pull
Adjustment speed 1	max. 44 mm/sec.
Stroke length	max. 500 mm (+/- 1 mm)
Fitting dimension	min. 180 mm + stroke (+/- 2 mm)
Duty cycle	2/18 min. or 10 %, max. 5 switching cycles per minute
Motor voltage	maintenance-free 24 V DC motors

Components

Limit switch	with micro switch
Stroke pipe clevis	plastic
Gear clevis	plastic drill hole: 10 mm recess: 5 mm
Stroke pipe	aluminum untreated
Guidance profile	aluminum untreated
Housing colour	black RAL 9005, grey RAL 7035
Motor connecting line	black, straight, 300 mm black, straight, 1000 mm black, spiralled, 1200 mm black, spiralled, 2500 mm

Further data

Protection type	IP20
Protection class	III
Relative humidity	30% - 75%
Ambient temperature	+10°C - +40°C

Extra configurations

Components

Position feedback	Hall sensor
Clevis	stroke pipe clevis made of die cast zinc

1 depending on drive configuration at constant 24/29 V DC without load

